

MICHIGAN[®]



Catálogo de Partes

Excavadora Oruga

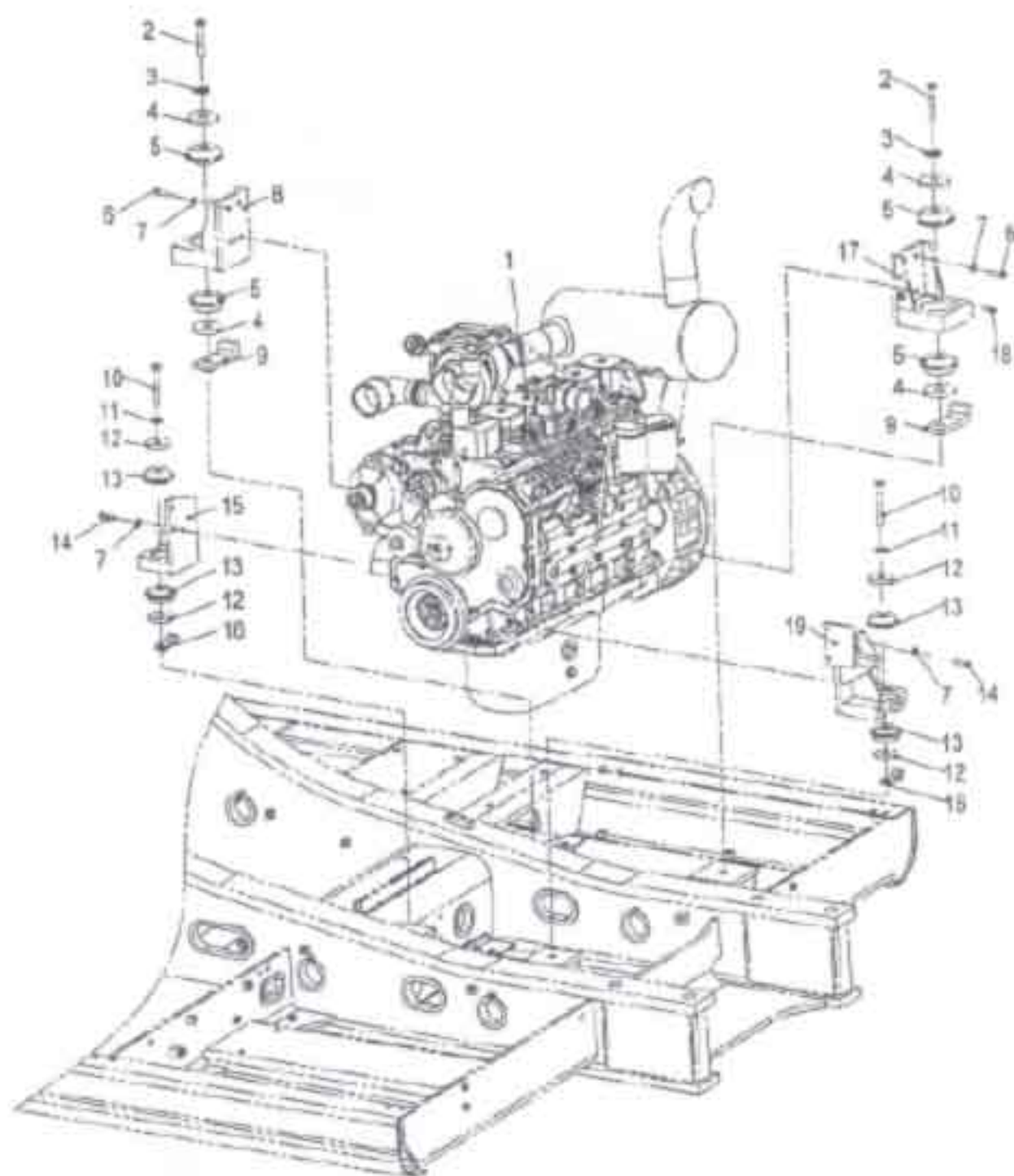


www.michiganweb.com.ar

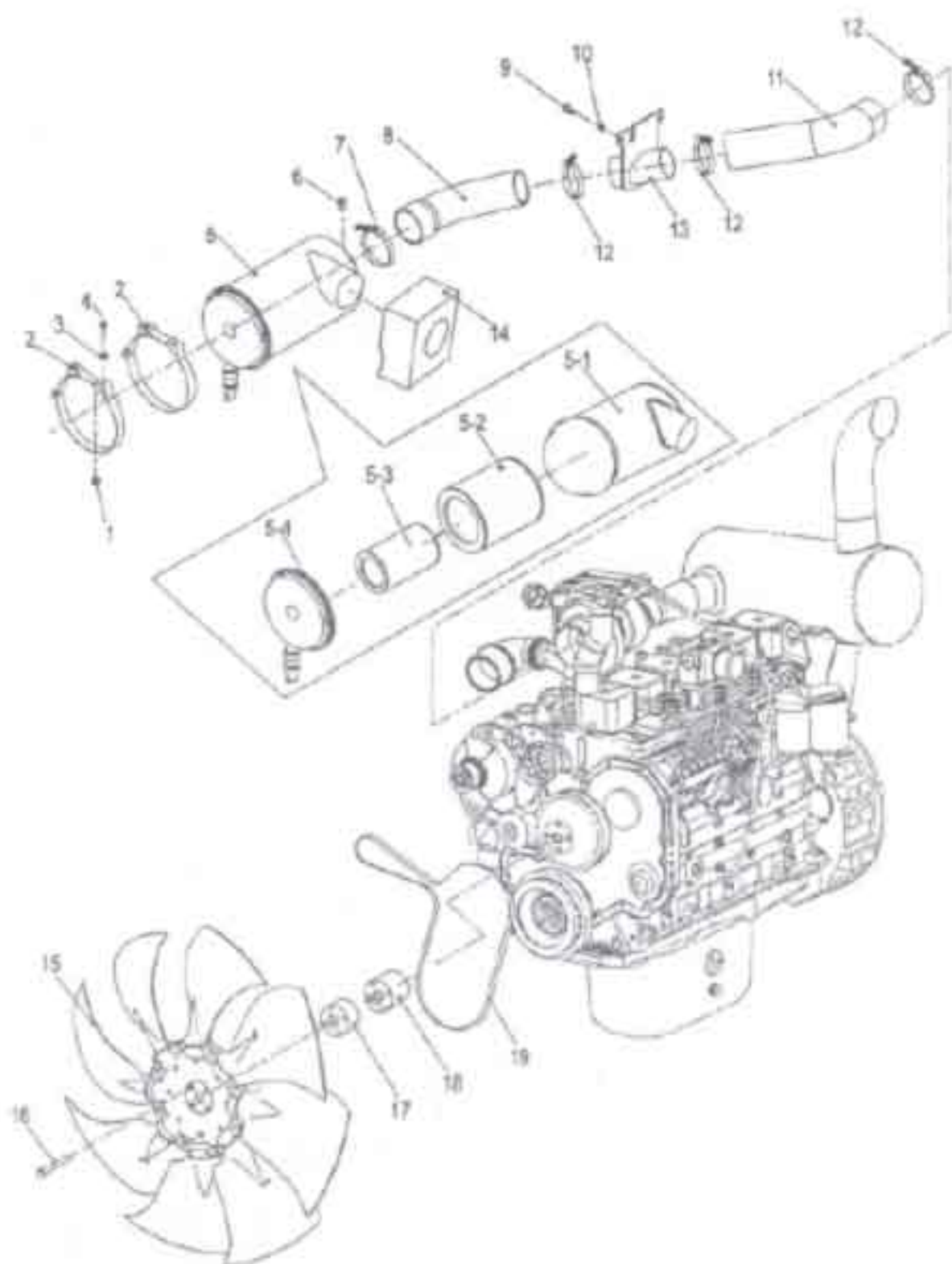


Engine Mounting.....	4
Fuel System.....	12
Cooling System.....	18
Partition Ass'y.....	22
Counter Weight Ass'y.....	24
Slewing Table Frame Ass'y.....	26
Door Ass'y.....	28
Cover and Frame Ass'y.....	30
Hood.....	40
Floor Frame Ass'y.....	42
Boom Ass'y.....	44
Arm Ass'y.....	46
Bucket Ass'y.....	48
Track Frame Ass'y.....	50
Travel and Under Carriage Ass'y.....	52
Swing Circle Ass'y.....	68
Battery Case Ass'y.....	70
Fuel Tank Ass'y.....	72
Hydraulic Tank Ass'y.....	74
Main Pump Hose.....	80
Main Oil Circuit.....	94
Work Equipment Piping.....	116
Pilot Lines.....	130
Solenoid Valve Piping.....	150
Cooling Piping.....	162
Traction Motor Line.....	164
Air Condition System.....	172
Hydraulic Hammer Line.....	182

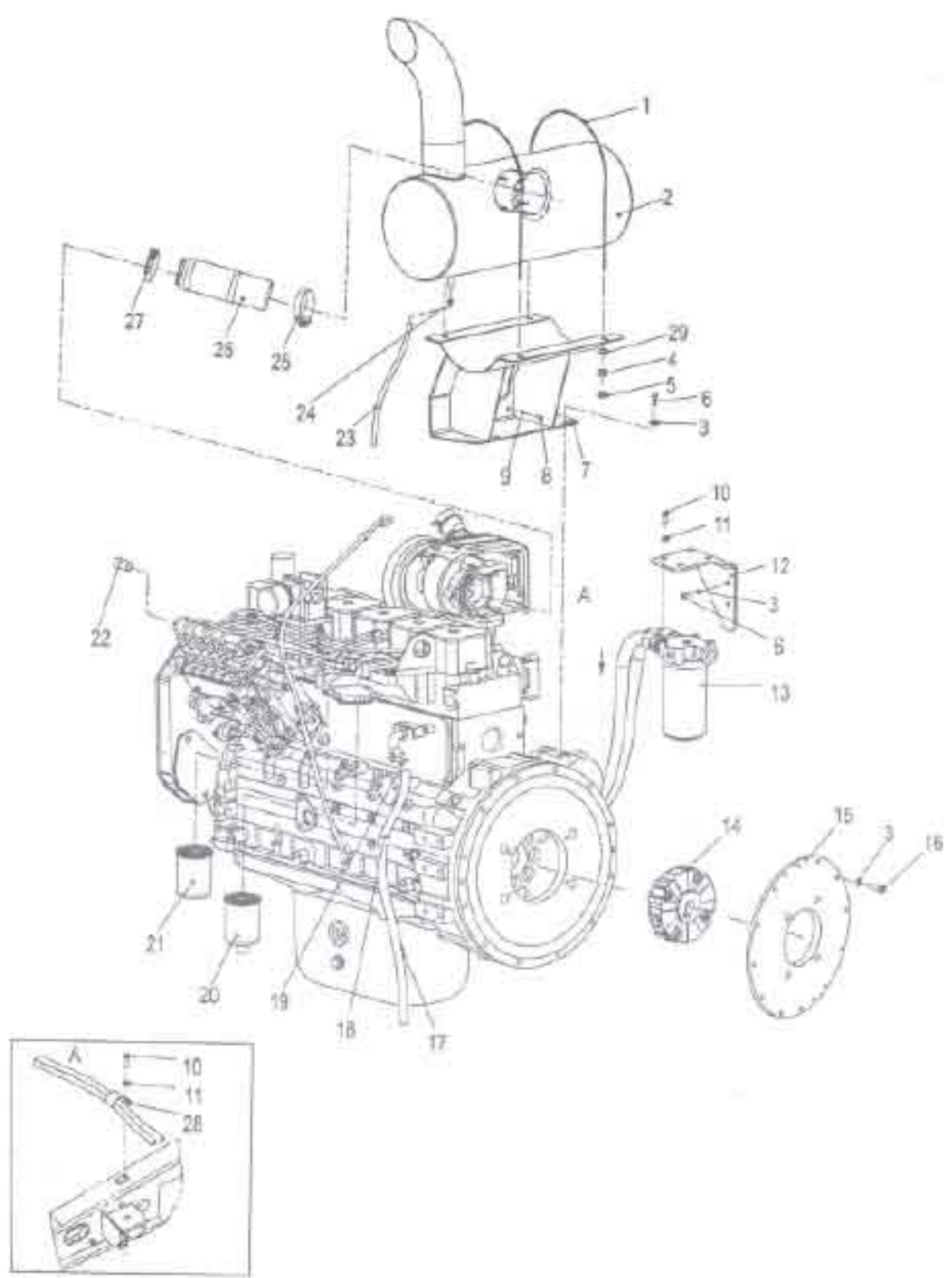
ENGINE MOUNTING



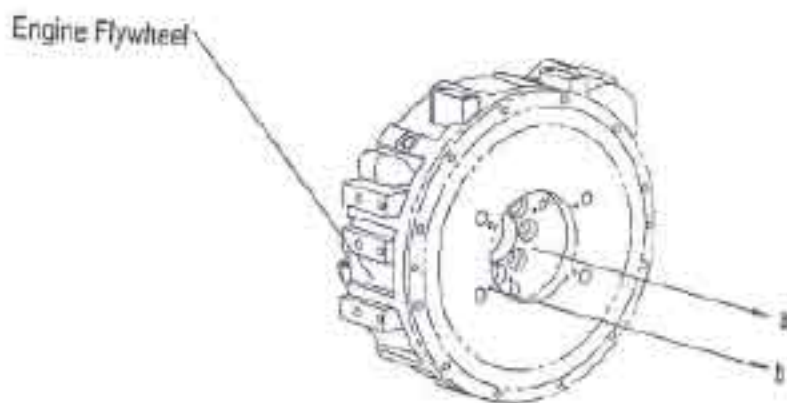
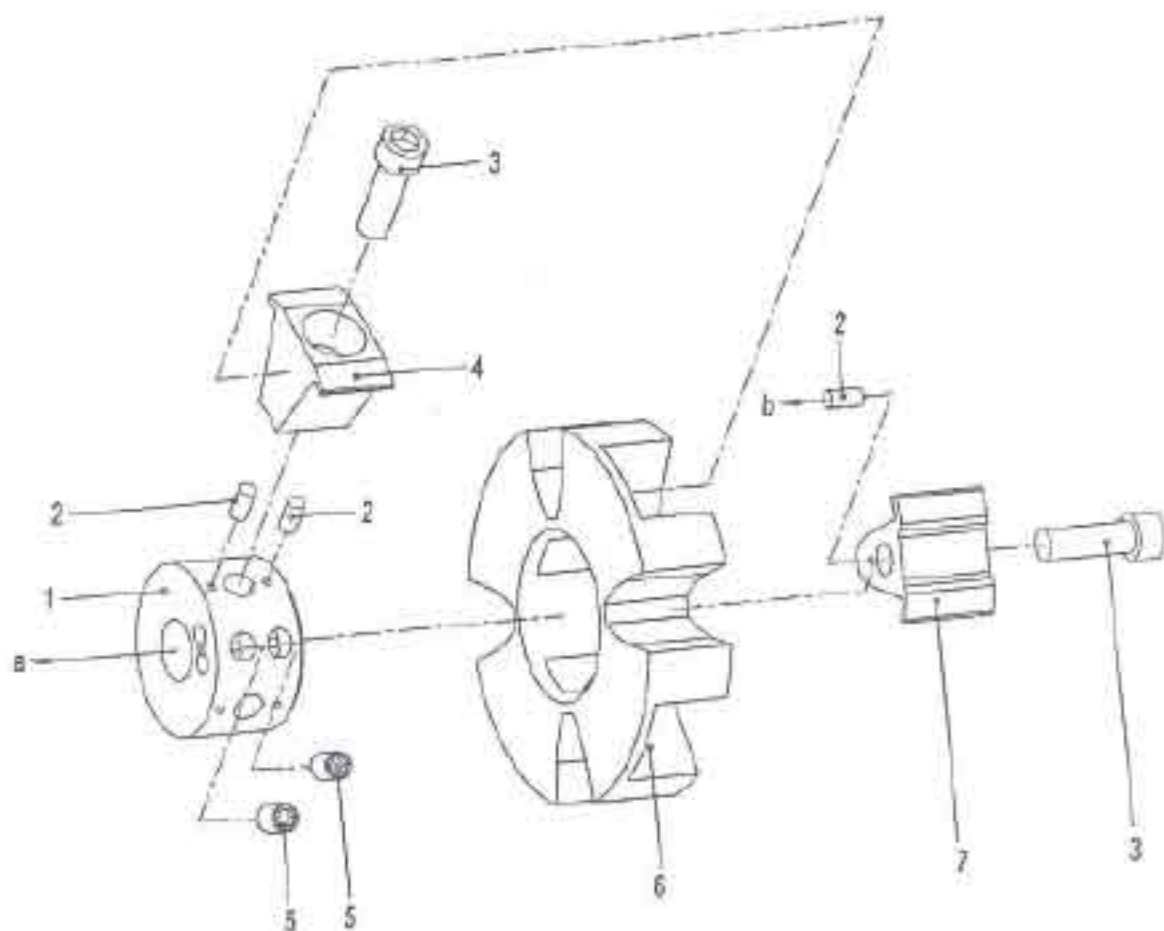
Engine Mounting				
Index	Part Code	Description and Specification	Q' TY	Remarks
1		Engine	1	
2		M22 X 200-10.9, Bolt	2	GB/T5782-2000
3		22-35 - 45HRC, Washer	2	GB/T5782-2006
4		Plank	4	
5		Shake Cushion	4	
6		M12 X 40-10.9, Bolt	8	GB/T5783-2000
7		12-300HV, Washer	18	GB/T97.1-2002
8		Back Seat	1	
9		Lock-Plank	2	
10		M16 X 150-10.9, Bolt	2	GB/T5782-2000
11		16-35 - 45HRC, Washer	2	GB/T1230-2006
12		Plank	4	
13		Shake Cushion	4	
14		M12 X 35-10.9, Bolt	6	GB/T5783-2000
15		Right-Front-Seat	1	
16		Lock-Plank	2	
17		Back Seat	1	
18		Fixed PIN	2	
19		Left-Front-Seat	1	



Intake System				
Index	Part Code	Description and Specification	Q' TY	Remarks
1		M10-10, Nut	4	GB/T6170-2000
2		Safety - Hoop	2	
3		10 - 300HV, Washer	4	GB/T97.1-2002
4		M10 X 20-10.9, Bolt	4	GB/T5783-2000
5		Fre Air Filter	1	
5-1		Body Assy	1	
5-2		Filter Element	1	
5-3		Filter Element	1	
5-4		Cover Assy	1	
6		Indicator	1	
7		T - Hopp	1	
8		Link - Hose	1	
9		M12 X 25 - 10.9, Bolt	2	GB/T5783-2000
10		12-300HV, Washer	2	GB/T97.1-2002
11		Link - Hose	1	
12		T - Hopp	3	
13		Link - Pipe	1	
14		Spongge	1	
15		Fan	1	
16		M10 X125 - 10.9, Bolt	4	GB/T16674.1-2004
17		Fan Cushioon	1	
18		Cushioon	1	
19		Generator Belt	1	

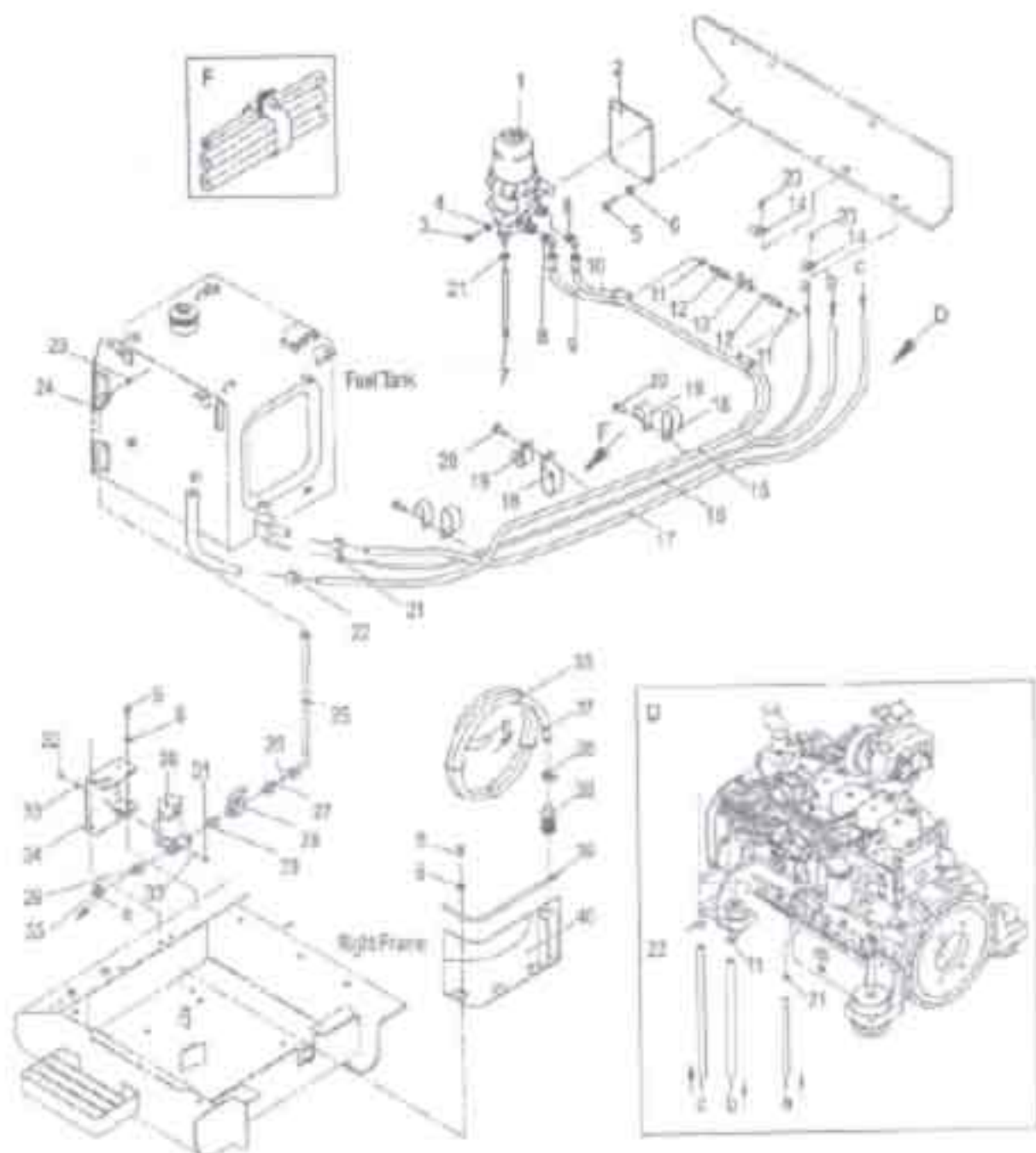


Transmission and Exhaust System				
Index	Part Code	Description and Specification	Q' TY	Remarks
1		U - Bolt	2	
2		Silencer	1	
3		10 - 300HV, Washer	18	GB/T97.1-2002
4		10	4	GB/T93-1987
5		M10 - 10, Nut	4	GB/T6170-2000
6		M10 X 20 - 10.9, Bolt	6	GB/T5783-2000
7		Silencer - Seat	1	
8		M12 X 20 - 10.9, Bolt	5	GB/T5783-2000
9		12 - 300HV, Washer	2	GB/T97.1-2002
10		M8 X 20 - 8.8, Bolt	5	GB/T5783-2000
11		8 - 200HV, Washer	5	GB/T97.1-2002
12		Oil Filter Frame	1	
13		Element Oil Filter	1	
14		Couple - Axes	1	
15		Pump - Sea	1	
16		M10 X 35 - 10.9, Bolt	12	GB/T5783-2000
17		Hose	1	
18		Band	1	
19		Clamp	1	
20		Element Oil Filter	1	
21		Element Oil Filter	1	
22		Sheath	1	
23		Hose	1	
24		Clamp	1	
25		Clamp	1	
26		Joint - Pip	1	
27		T - Hoop	1	
28		Clip	1	
29		10 - 300HV, Washer	4	GB/T97.1-2002

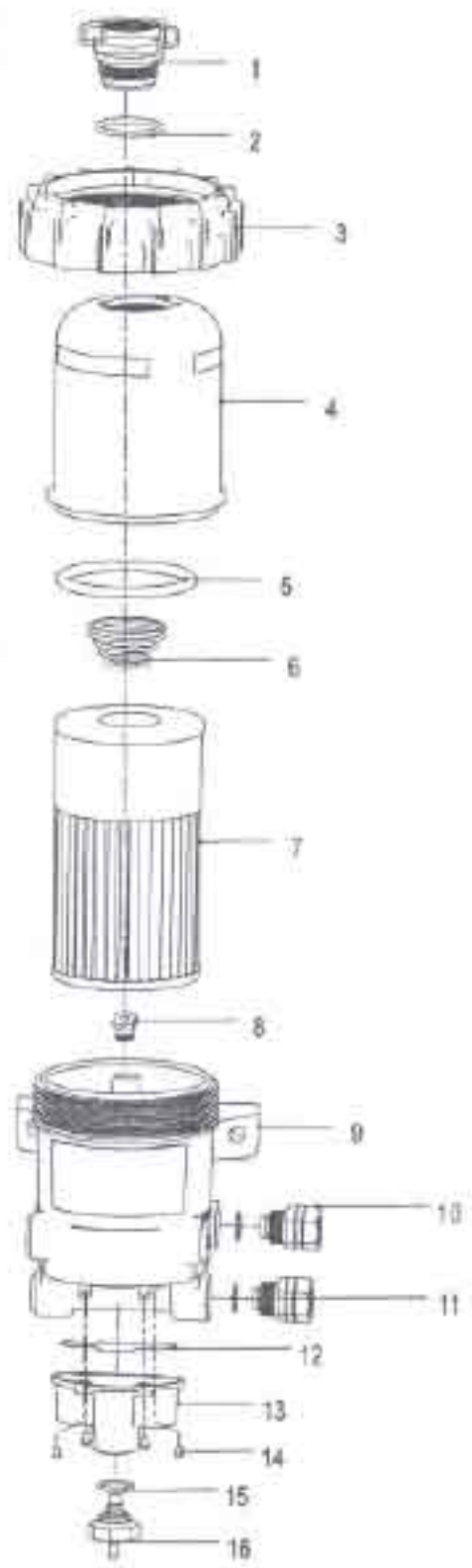
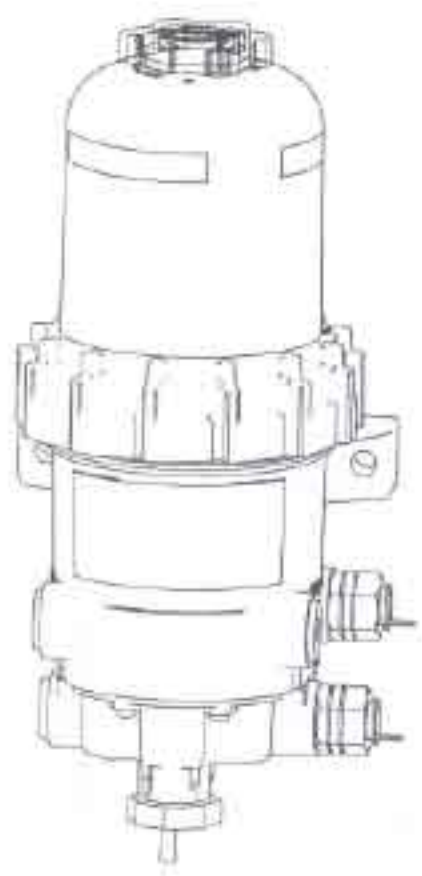


Couple Axes				
Index	Part Code	Description and Specification	Q' TY	Remarks
1		Sleeve	1	
2		5 x 10, Elastic Pin	12	
3		M18 x 55 - 10.9, Bolt	8	
4		Axial Distance Plate	4	
5		M16 X 21 - 12.9, Bolt	2	GB/T77-2000
6		Elastommer	1	
7		Radial Distance Plate	4	

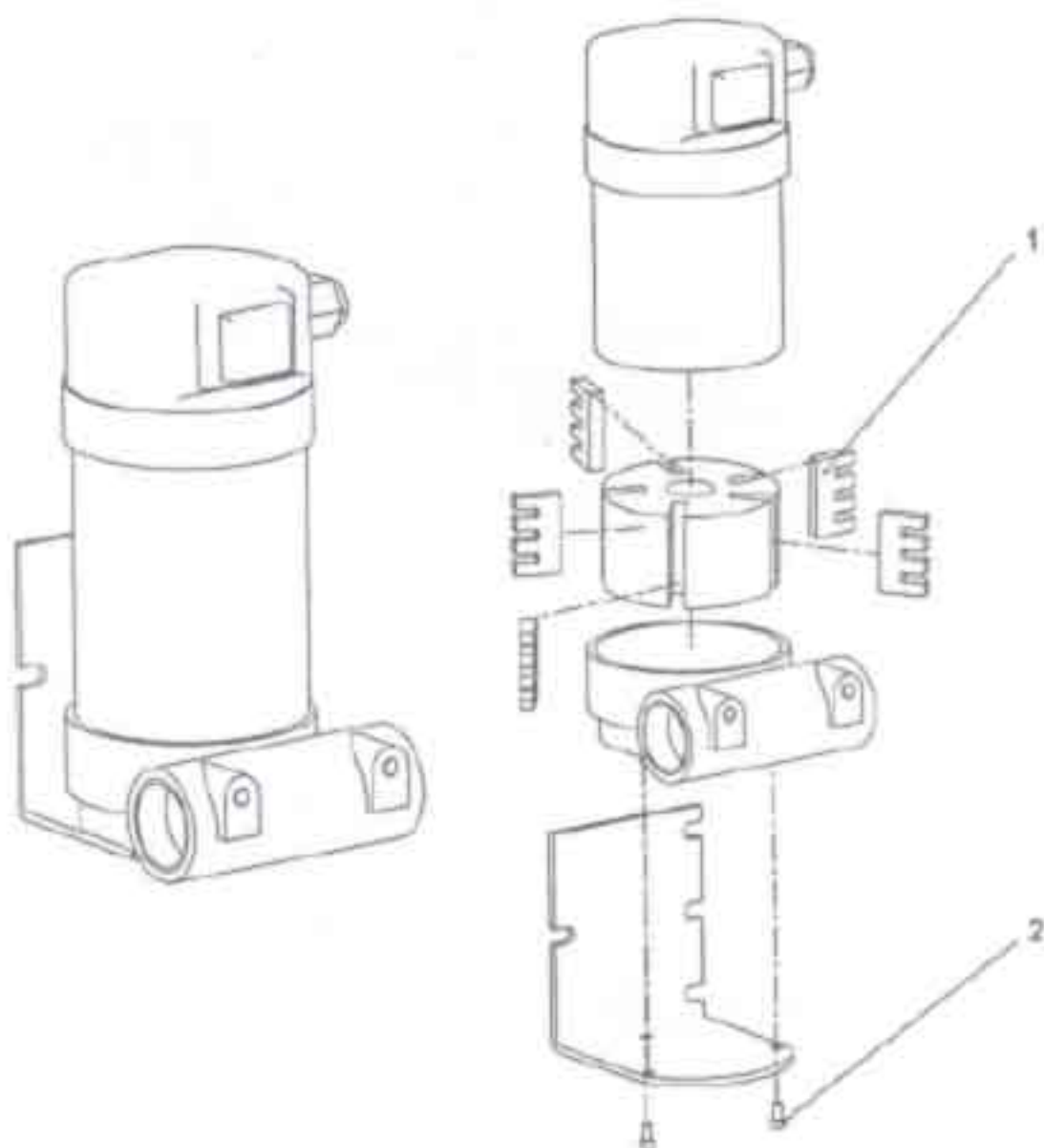
FUEL SYSTEM



Fuel System				
Index	Part Code	Description and Specification	Q`TY	Remarks
1		Filter Assy	1	
2		Board	1	
3		M10 X 35 - 10.9, Bolt	2	GB/T5783-2000
4		10 - 300HV, Washer	2	GB/T97.1-2002
5		M12 X 30 - 10.9, Bolt	7	GB/T5783-2000
6		12 - 300HV, Washer	7	GB/T97.1-2002
7		Hose	1	
8		Joint	2	
9		Fuel Out Hose	1	
10		Fuel Intel Hose	1	
11		Clamp	3	
12		Joint	2	
13		Valve	1	
14		Clip	2	
15		Hose	1	
16		Hose	1	
17		Hose	1	
18		Clip	3	
19		Clip	3	
20		M8 X 20 - 8.8, Bolt	5	GB/T5783-2000
21		Clamp	1	
22		Clamp	4	
23		O-Ring	1	
24		Joint	1	
25		Cheer Hose	1	
26		Clamp	1	
27		Joint	1	
28		Ball Valve	1	
29		Joint	2	
30		Fuel Feed Pump	1	
31		M6, Nut	4	
32		M6 X 16 - 8.8, Bolt	4	
33		6 - 200HV, Washer	8	
34		Pump Mounting Seat	1	
35		Clamp	2	
36		Band	9	
37		Inhale Oil Hose	1	
38		Filter Net	1	
39		Pressing Strap	1	
40		Fixed Board	1	

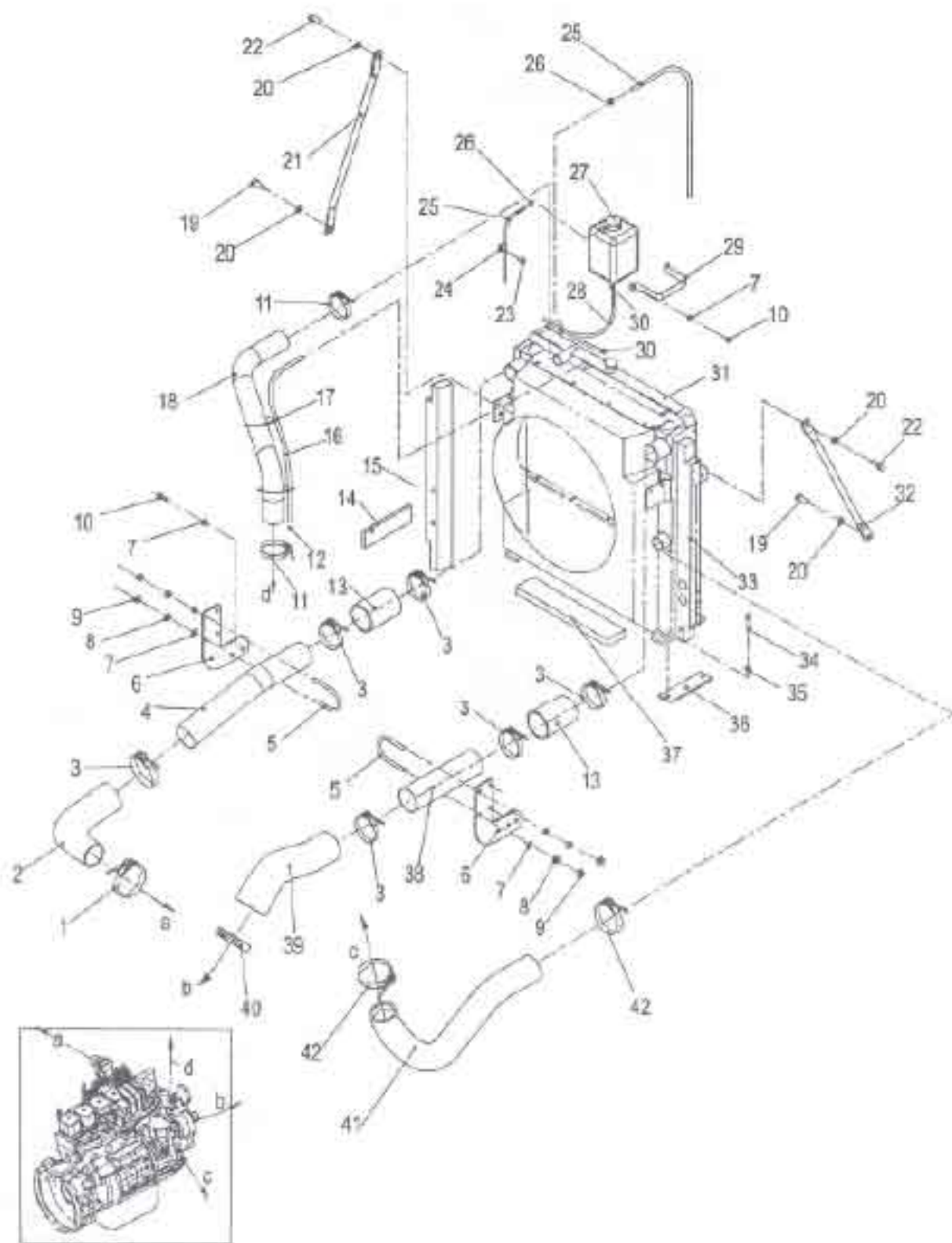


Filter				
Index	Part Code	Description and Specification	Q' TY	Remarks
1		Air Cover	1	
2		O-Ring	1	
3		Zxle	1	
4		Top Cover	1	
5		O-Ring	1	
6		Spring	1	
7		Element; Water Separator	1	
8		Stop Valve	1	
9		Hull	1	
10		Adapter	2	
11		16 - 300HV, Adapter Washer	1	GB/T97.1-2002
12		Base Ring	1	
13		Base	1	
14		Screw	4	
15		O-Ring	1	
16		Drainage Valve	1	

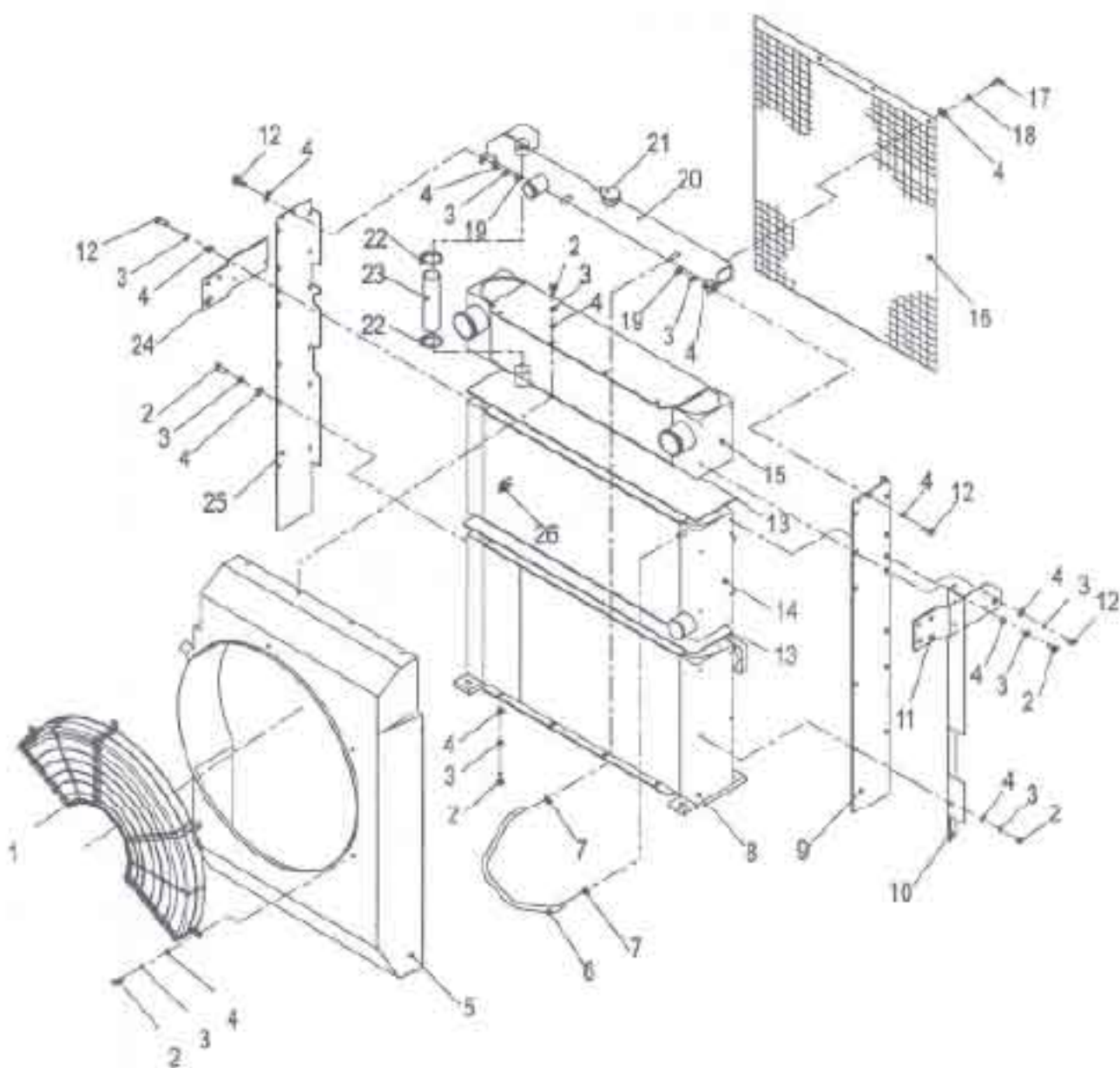


Fuel Feed Pump				
Index	Part Code	Description and Specification	Q`TY	Remarks
1		Blade	5	
2		M5 X 12 - 10.9, Bolt	3	GB/T70.1-2002

COOLING SYSTEM

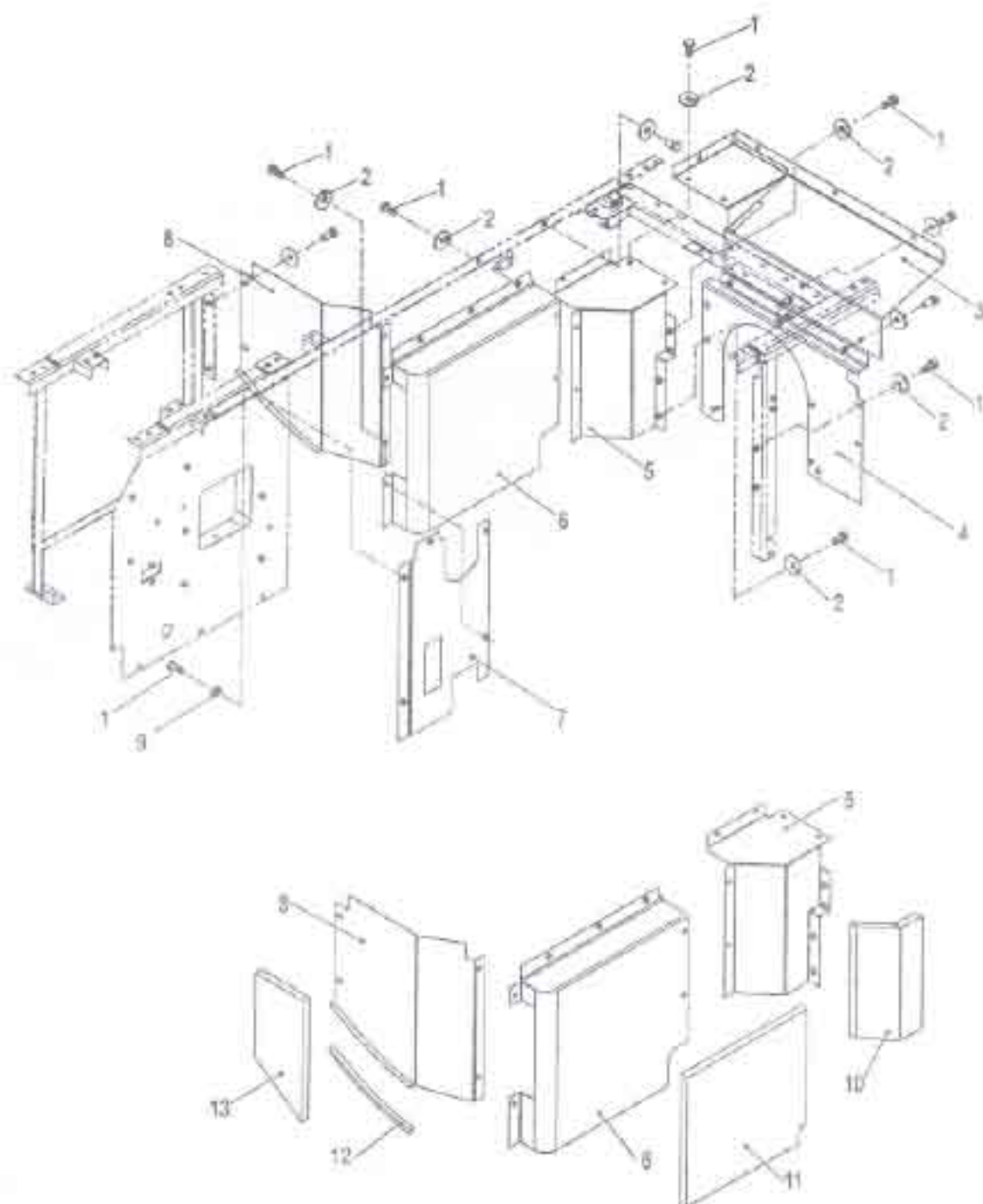


Cooling System				
Index	Part Code	Description and Specification	Q' TY	Remarks
1		T - Hoop	1	
2		Glue Elbow	1	
3		T - Hoop	6	
4		Syphon	1	
5		U - Bolt	4	
6		Steel Tube Seat	2	
7		10 - 300HV, Washer	14	GB/T97.1-2002
8		M10 - 10, Nut	8	GB/T6170-2000
9		M10 - 8, Nut	8	GB/T6172.1-2000
10		M10 X 30 - 10.9, Bolt	6	GB/T5783-2000
11		T - Hoop	2	
12		Clamp	1	
13		Link Pipe	1	
14		Airproof Sponge	1	
15		Airproof Sponge	1	
16		Variable Hose	1	
17		Band	2	
18		Out Water Pipe	1	
19		M16 x 45 - 10.9, Bolt	2	GB/T5783-2000
20		16 - 300HV, Washer	4	GB/T97.1-2002
21		Stay Bar	1	
22		M16 X 40 - 10.9, Bolt	2	GB/T5783-2000
23		M8 X 20 - 8.8, Bolt	1	GB/T5783-2000
24		Plastic Hose	2	
25		Hose	2	
26		Clamp	3	
27		Reservoir Tank	1	
28		Hose	1	
29		Hoop Strip	1	
30		Clamp	2	
31		Radiator	1	
32		Stay Bar	1	
33		Airproof Sponge	1	
34		M12 x 60 - 10.9, Bolt	4	GB/T5782-2000
35		12 - 300HV, Washer	4	GB/T97.1-2002
36		Rubber Mat	2	
37		Airproof Sponge	1	
38		Steel Tube	1	
39		Glue Elbow	1	
40		T - Hoop	1	
41		In Water Pipe	1	
42		Hose Clamp	2	



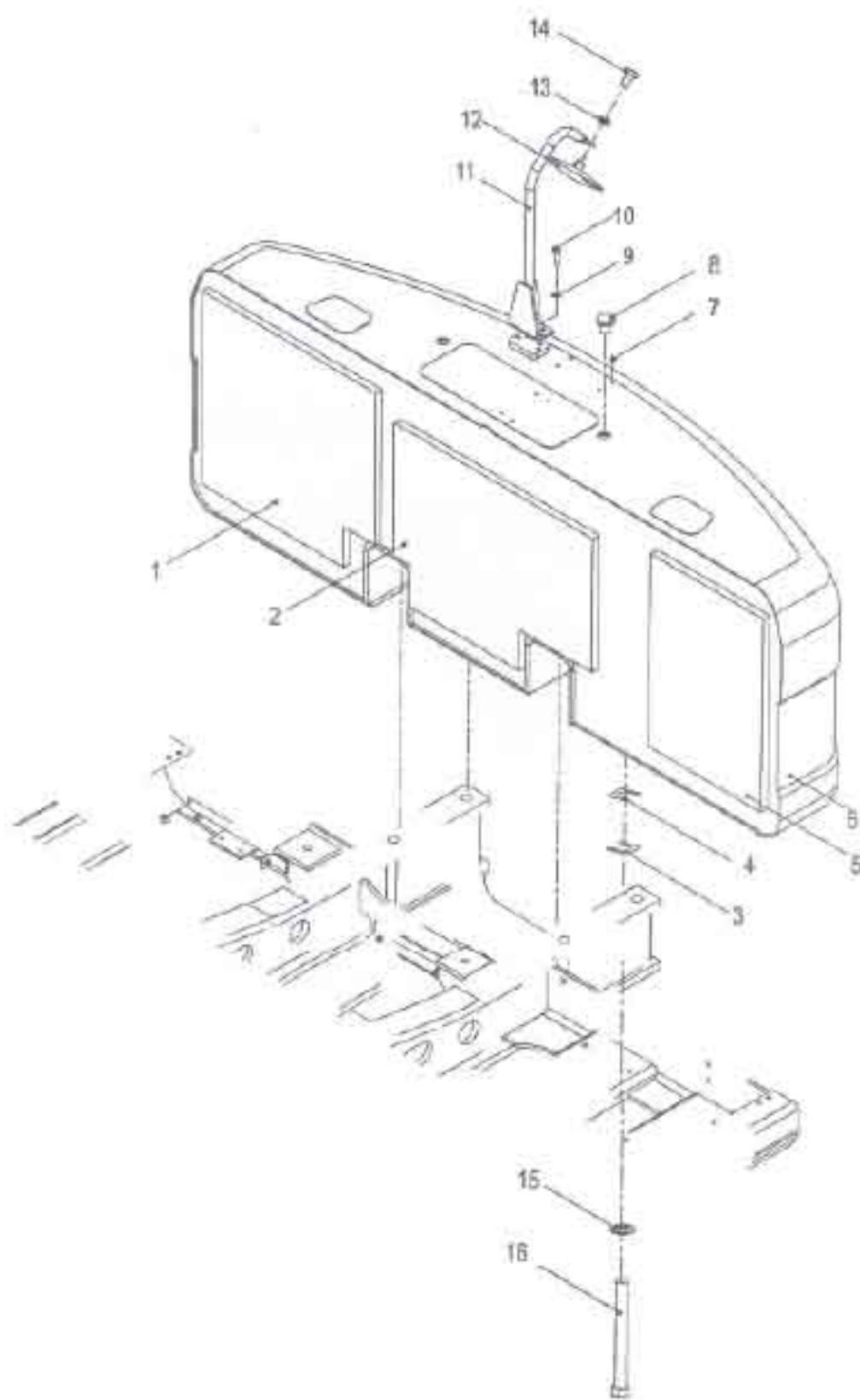
Radiator				
Index	Part Code	Description and Specification	Q`TY	Remarks
1		Protenting Net	1	
2		M8 X 20 - 8.8, Bolt	32	GB/T5783-2000
3		8, Washer	40	GB/T93-1987
4		8, Washer	42	GB/T96-1985
5		Shroud Assy	1	
6		Hose	1	
7		Clamp	2	
8		Oil Radiator	1	
9		Steel Seat	1	
10		Steel Seat	1	
11		Steel Seat	1	
12		M8 X 25 - 8.8, Bolt	8	GB/T5783-2000
13		Seal Strip	2	
14		Water Radiator	1	
15		Air Radiator	1	
16		Net Wire	1	
17		M6 X 12, Bolt	3	DIN 316
18		6, Washer	3	GB/T93-1987
19		M8 - 8, Nut	2	GB/T6170-2000
20		Water Box	2	
21		Pressure Cap	1	
22		Hose Clamp	2	
23		Hose	1	
24		Steel Seat	1	
25		Steel Seat	1	
26		Ball Valve	1	

PARTITION ASS'Y



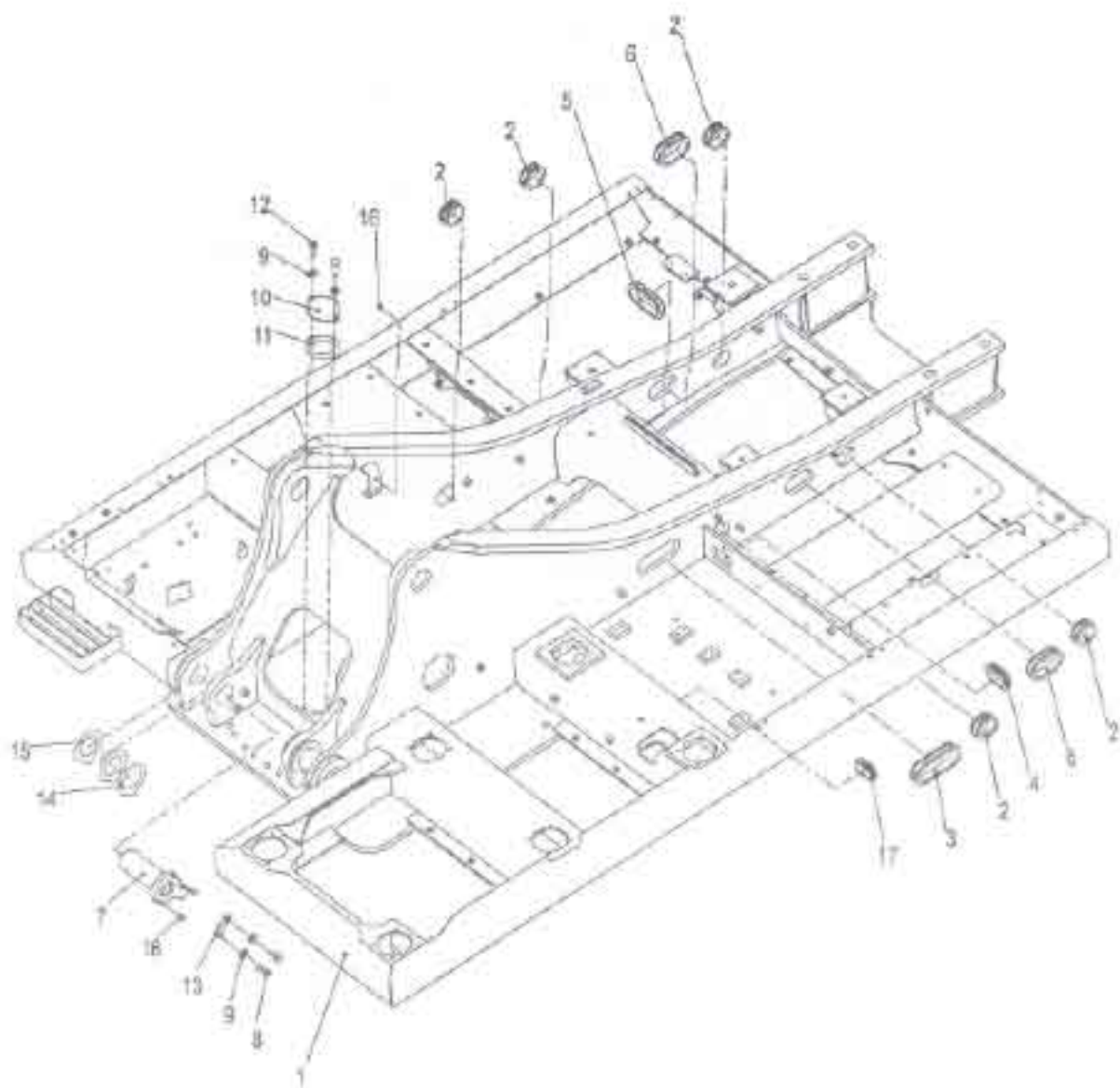
Partition Ass'y				
Index	Part Code	Description and Specification	Q`TY	Remarks
1		M12 X 25 - 10.9, Bolt	30	GB/T5783-2000
2		12 - 300HV, Washer	29	GB/T97.1-2002
3		Partition	1	
4		Partition	1	
5		Partition	1	
6		Partition	1	
7		Partition	1	
8		Partition	1	
9		12 - 300HV, Washer	1	GB/T97.1-2002
10		Sponge	1	
11		Sponge	1	
12		Sponge	1	
13		Sponge	1	

COUNTER WEIGHT ASS'Y



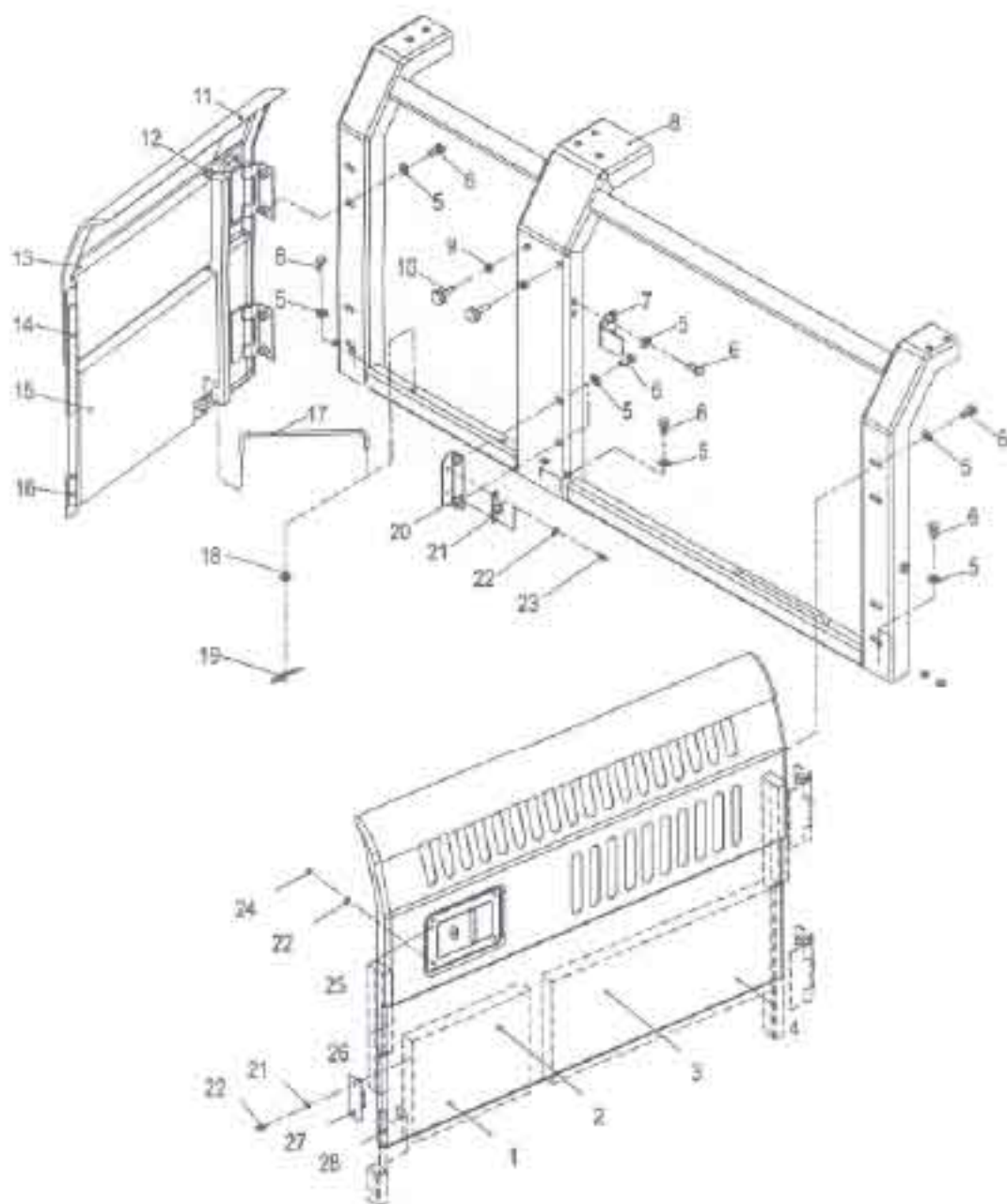
Counter Weight Ass'y				
Index	Part Code	Description and Specification	Q`TY	Remarks
1		1, Sheet	1	
2		2, Sheet	1	GB/T97.1-2002
3		Plate	8	
4		Plate	4	
5		Sheet	1	
6		Counter Weight	1	
7		Plug	8	
8		Plug	2	
9		12 - 300HV, Washer	4	GB/T97.1-2002
10		M12 X 25 - 10.9, Bolt	4	GB/T5783-2000
11		Rearview Mirror Earing	1	
12		Round Convex Reflector	1	
13		8, Washer	1	GB/T93-1987
14		M8 X 16 - 8.8, Bolt	1	GB/T5783-2000
15		Washer	4	
16		Bolt	4	

SLEWING TABLE FRAME



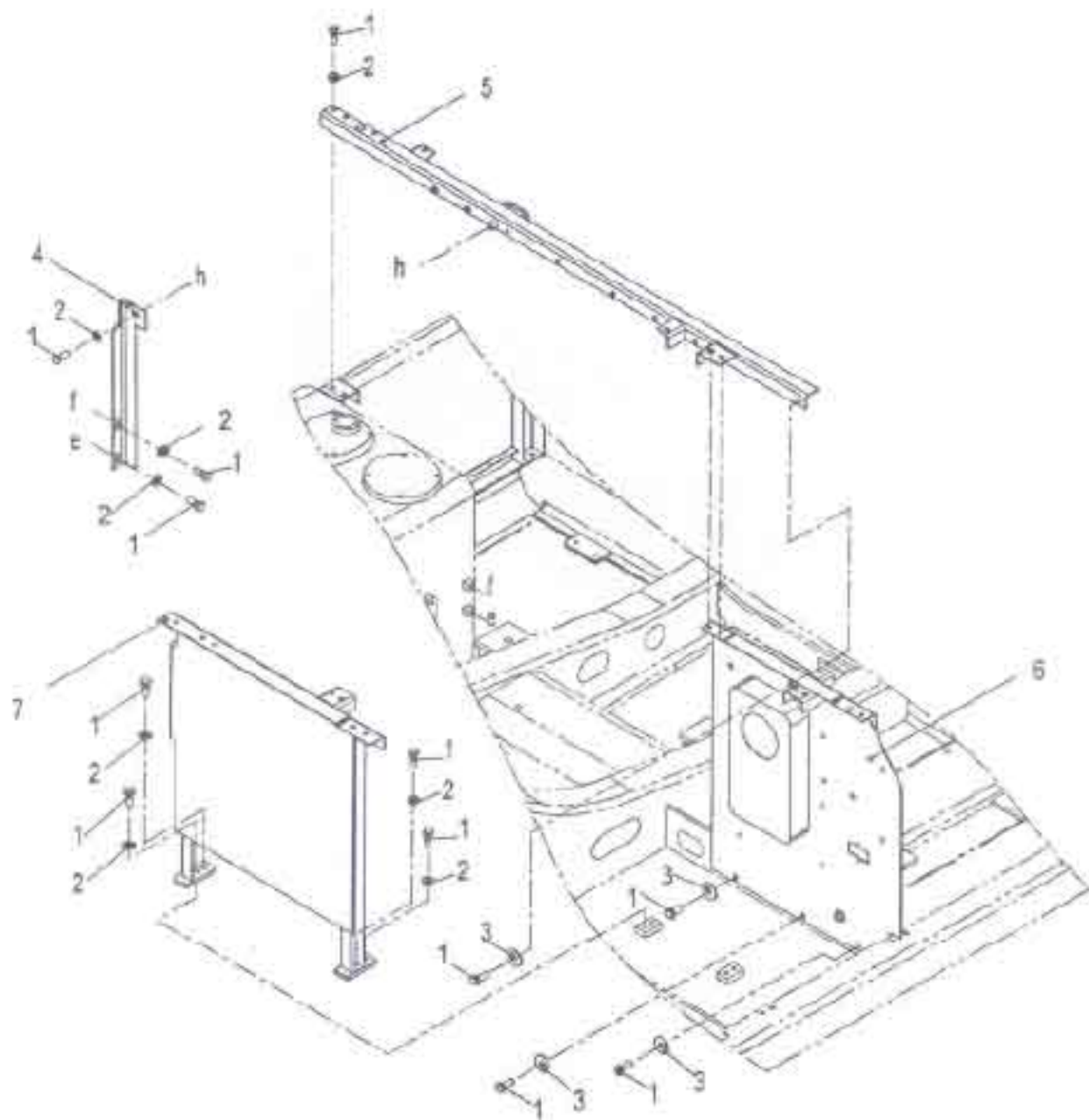
Slewing Table Frame Assy				
Index	Part Code	Description and Specification	Q`TY	Remarks
1		Frame	1	
2		Grommet	5	
3		Grommet	1	
4		Grommet	1	
5		Grommet	1	
6		Grommet	2	
7		Pin	2	
8		M12 x 25 - 10.9, Bolt	4	GB/T5783-2000
9		12 - 300HV, Washer	6	GB/T97.1-2002
10		Cover	1	
11		Gasket	1	
12		M12 X 35 - 10.9, Bolt	2	GB/T5783-2000
13		Plate	2	
14		Spacer	4	
15		Spacer	2	
16		Plug	8	
17		Grommet	1	

DOOR ASS'Y

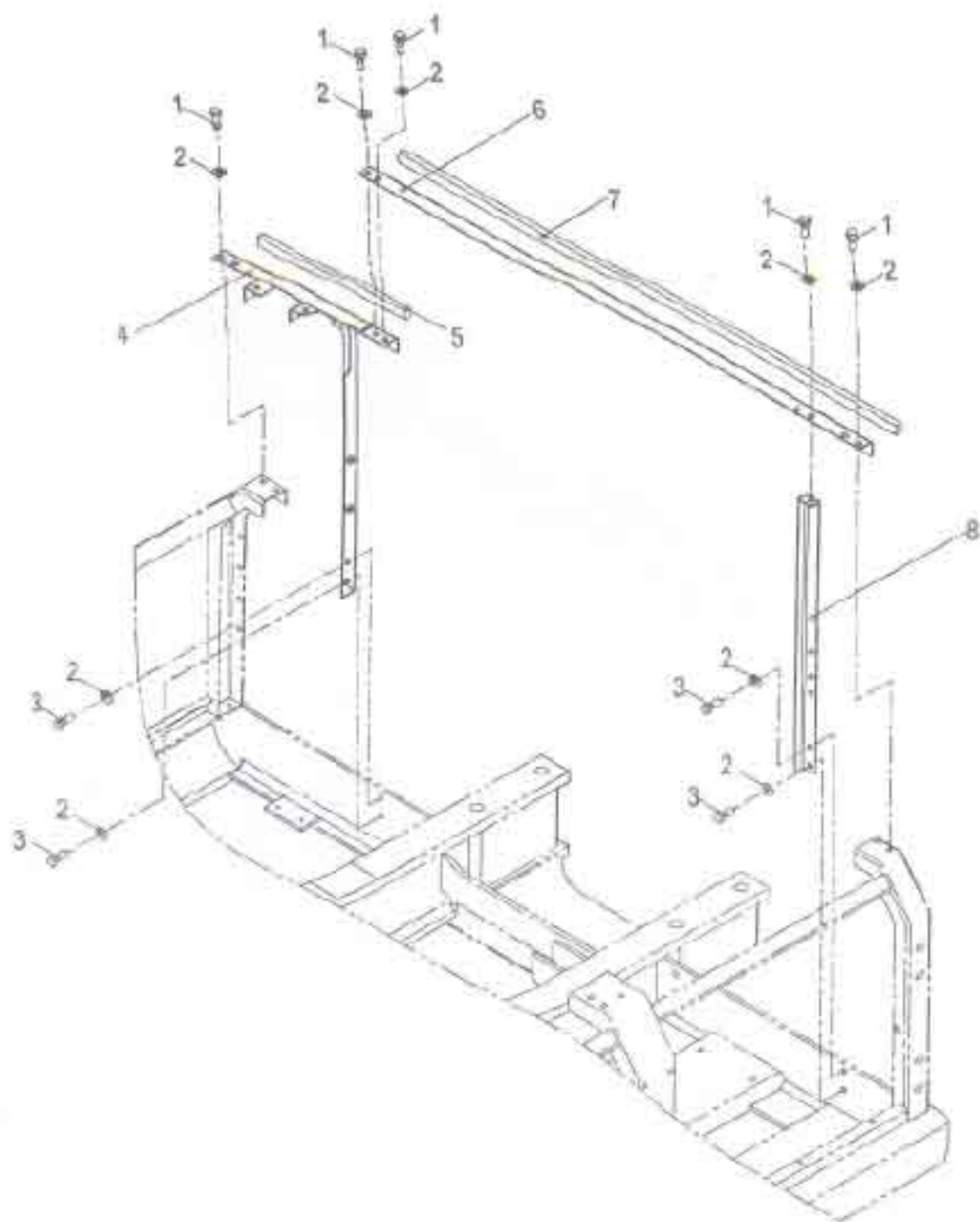


Left Door Ass'y				
Index	Part Code	Description and Specification	Q`TY	Remarks
1		Door	1	
2		II, Sponge II	1	
3		I, Sponge I	1	
4		I, Shake Cushion I	1	
5		12 - 300HV, Washer	18	GB/T97.1-2002
6		M12 X 25 - 10.9, Bolt	18	GB/T5783-2000
7		Partition	1	
8		Cover	1	
9		M10 - 10, Nut	2	GB/T6170-2000
10		Screw	2	
11		Door	1	
12		Shake Cushion	1	
13		I, Sponge I	1	
14		II, Shake Cushion II	1	
15		II, Sponge II	1	
16		I, Shake Cushion I	1	
17		Bar	2	
18		10 - 300HV, Washer	2	GB/T97.1-2002
19		2.5 x 16, Pin	2	GB/T91-2000
20		Angle Iron	1	
21		Dove Slot	1	
22		6 - 200HV, Washer	4	GB/T97.1-2002
23		M6 X 16 - 8.8, Bolt	4	GB/T5783-2000
24		M6, Nut	4	GB/T6170-2000
25		Lock	1	
26		II, Shake Cushion II	1	
27		Dove Block	1	
28		III, Shake Cushion III	1	

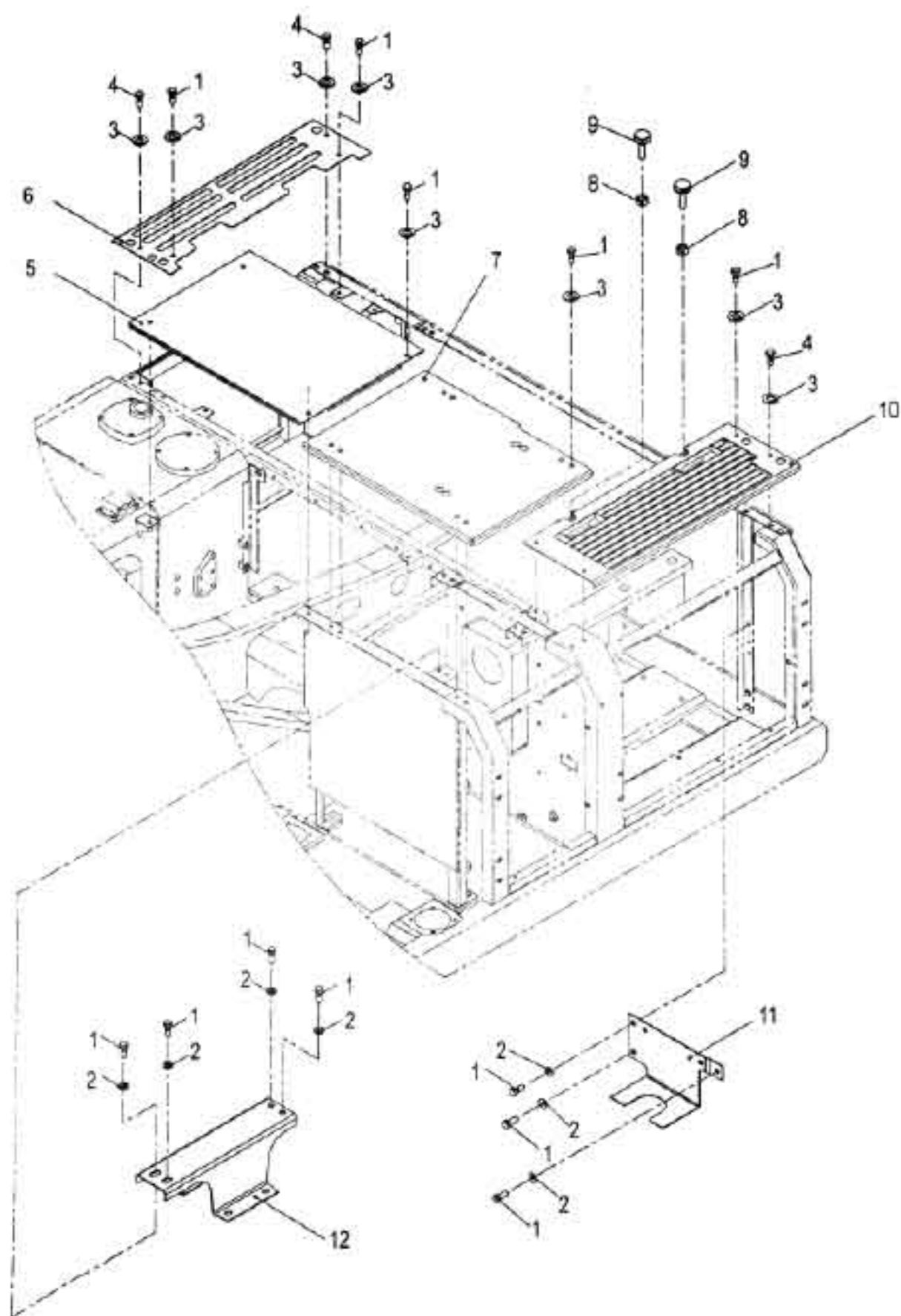
COVER AND FRAME ASS'Y



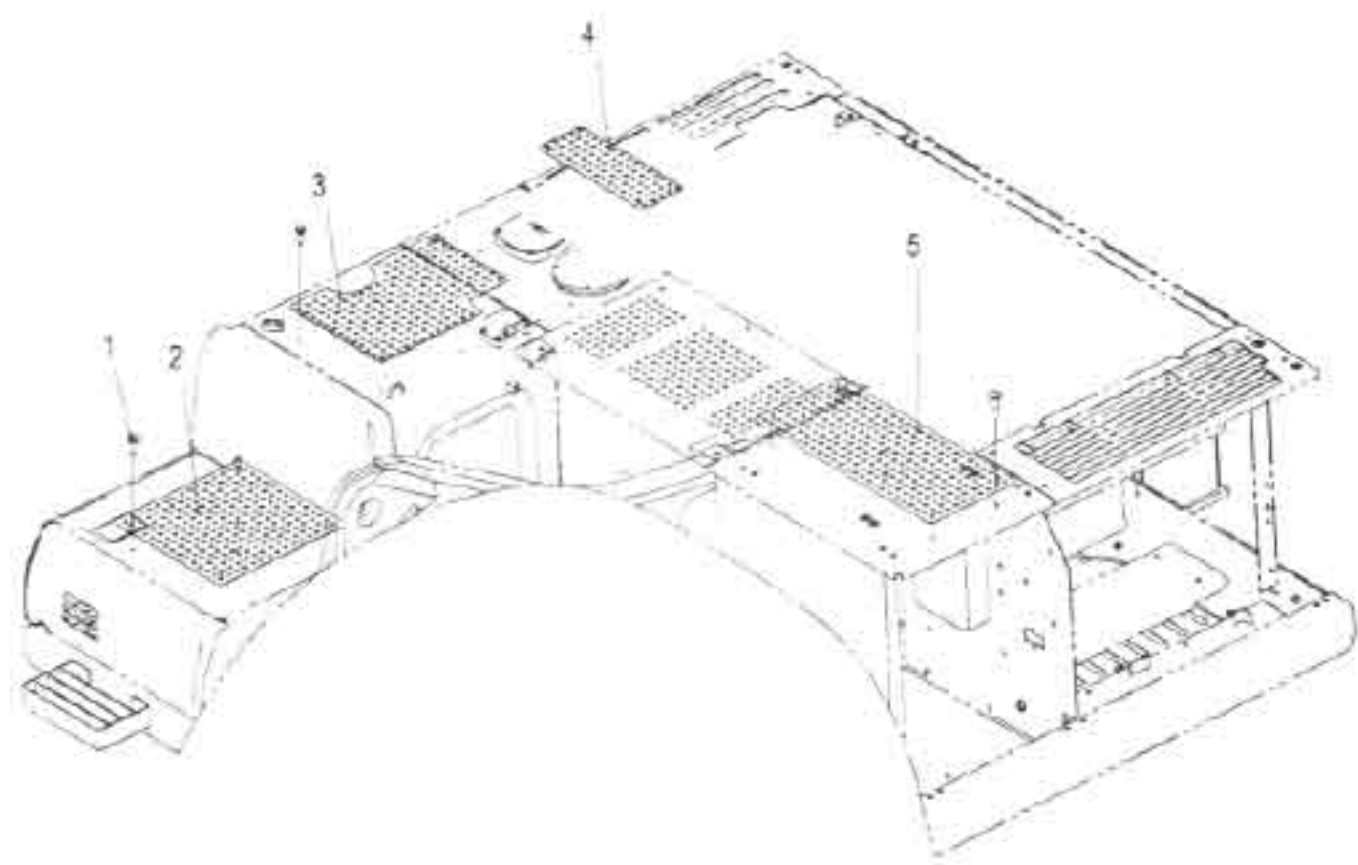
Front Bracket Installation				
Index	Part Code	Description and Specification	Q`TY	Remarks
1		M12 X 25 - 10.9, Bolt	12	GB/T5783-2000
2		12 - 300HV, Washer	8	GB/T97.1-2002
3		12 - 300HV, Washer	4	GB/T96.1-2002
4		Bracket	1	
5		II, Horizontal Bracket II	1	
6		I, Bracket I	1	
7		II, Bracket II		



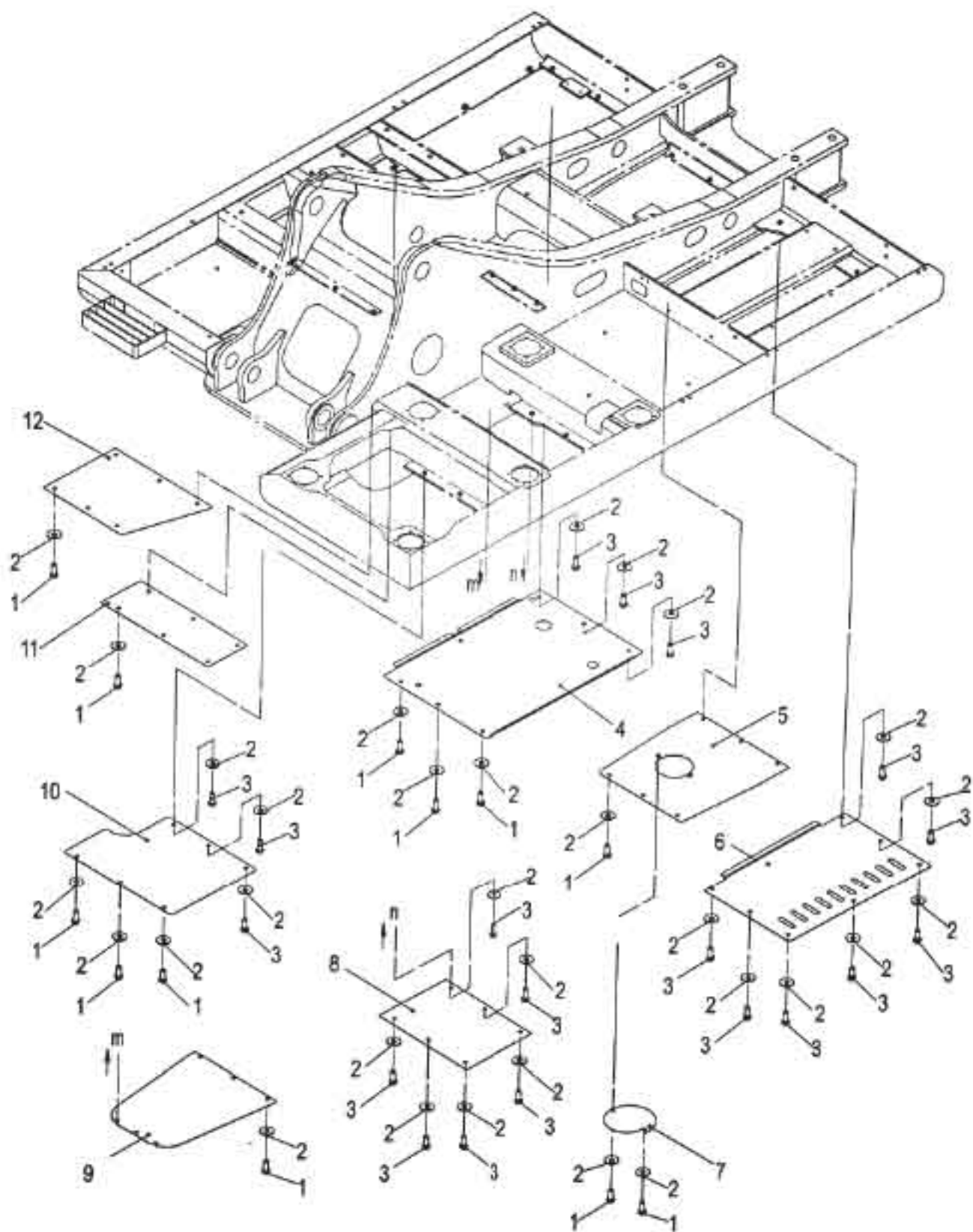
Rear Bracket Installation				
Index	Part Code	Description and Specification	Q`TY	Remarks
1		M12 X 25 - 10.9, Bolt	5	GB/T5783-2000
2		12 - 300HV, Washer	9	GB/T97.1-2002
3		M12 X 30 - 10.9, Bolt	4	GB/T5783-2000
4		IV, Bracket IV	1	
5		Damping Sponge	1	
6		I, Horizontal Bracket I	1	
7		Damping Sponge	1	
8		III, Bracket III	1	



Cover Installation				
Index	Part Code	Description and Specification	Q`TY	Remarks
1		M12 X 25 - 10.9, Bolt	25	GB/T5783-2000
2		12 - 300HV, Washer	8	GB/T97.1-2002
3		12 - 300HV, Washer	20	GB/T96.1-2002
4		M12 X 30 - 10.9, Bolt	3	GB/T5783-2000
5		I, Cover I	1	
6		I, Plate I	1	
7		II, Cover II	1	
8		M10 - 10, Nut	2	GB/T6170-2000
9		Limit Screw	2	
10		II, Plate II	1	
11		Plate	1	
12		Bracket	1	

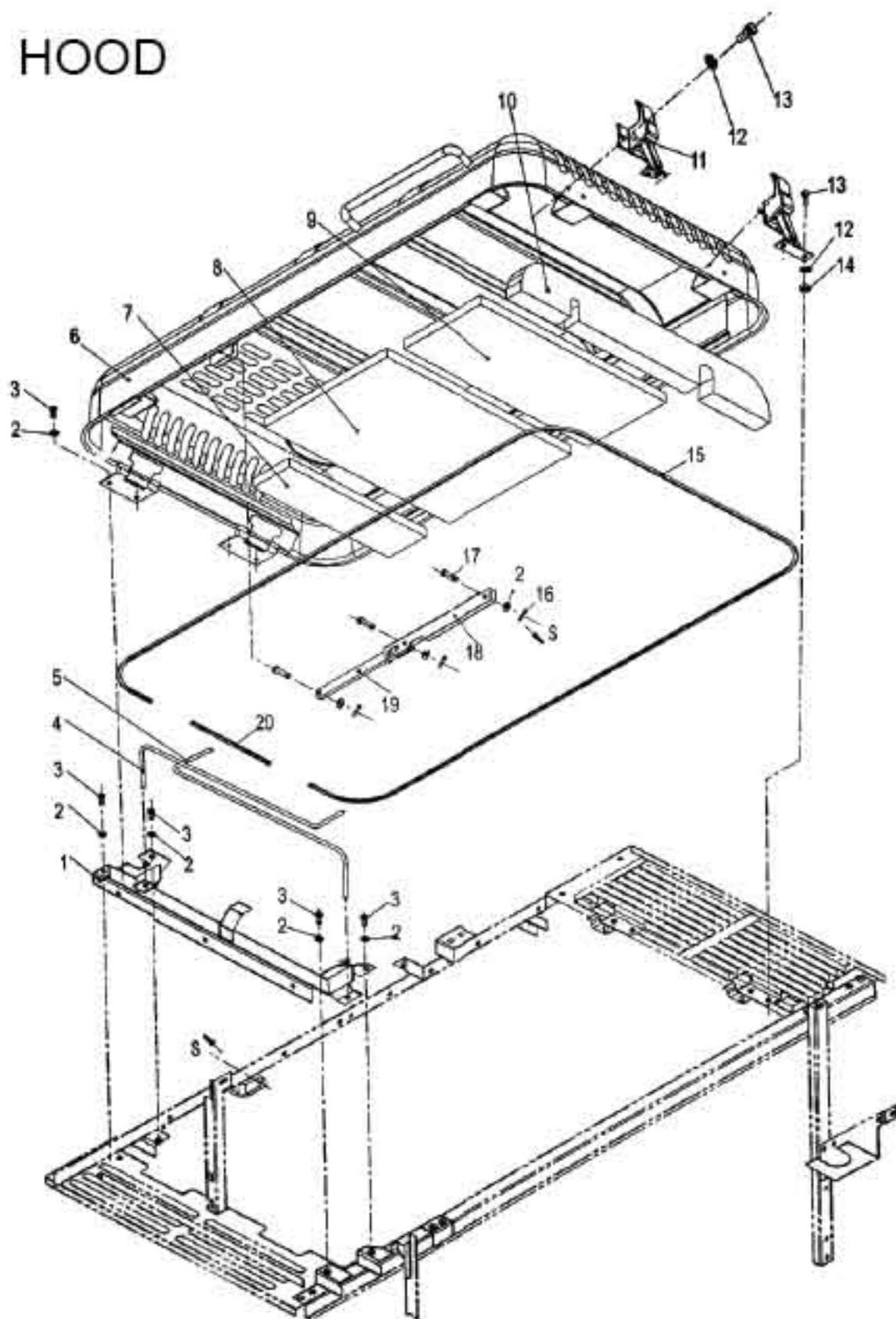


Cover Installation				
Index	Part Code	Description and Specification	Q`TY	Remarks
1		M8 X 16 - 8.8, Bolt	20	GB/T5783-2000
2		Antiskid Plate	1	
3		Antiskid Plate	1	
4		Antiskid Plate	1	
5		Antiskid Plate	1	



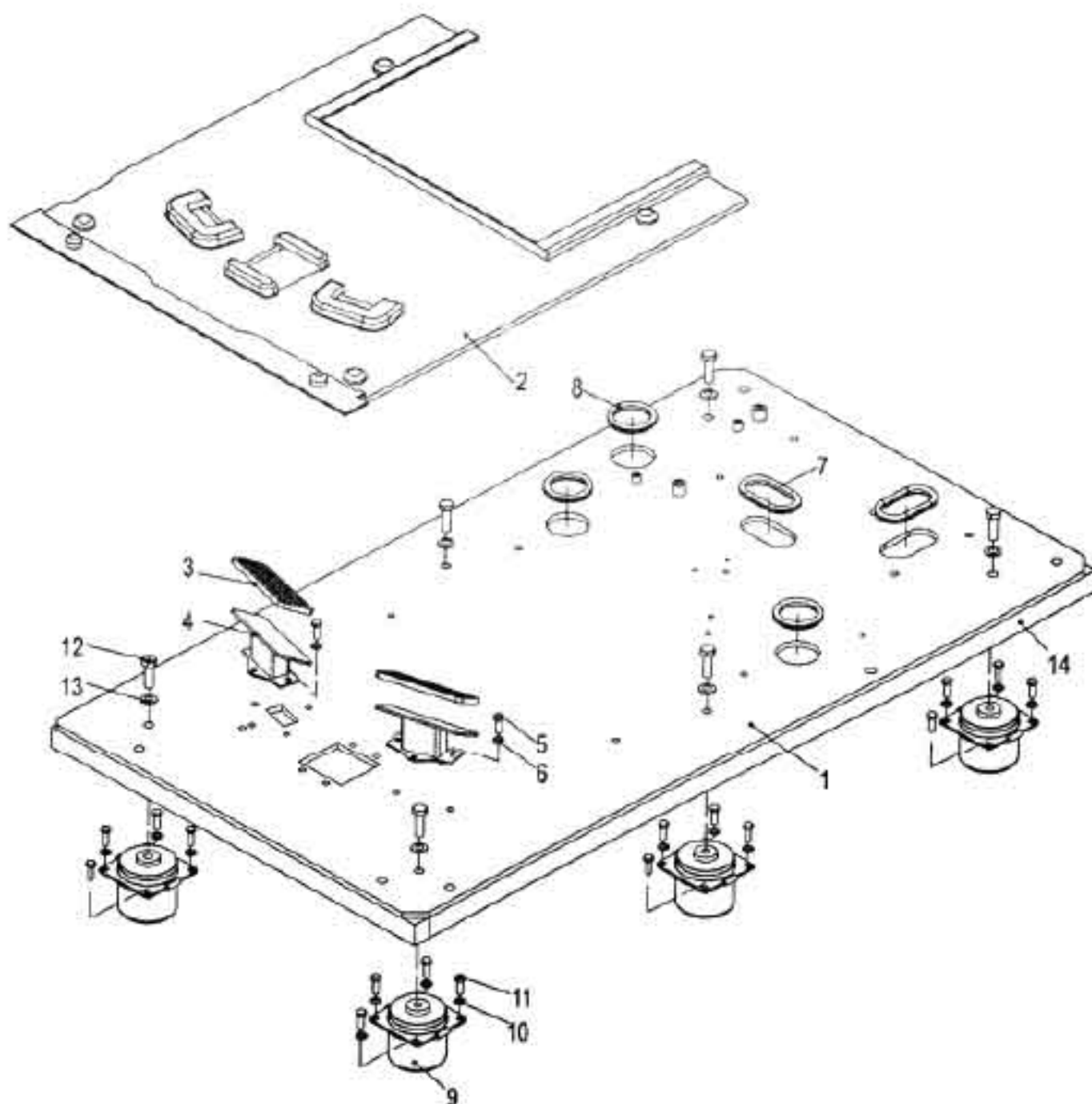
Base Installation Mounting				
Index	Part Code	Description and Specification	Q`TY	Remarks
1		M12 X 25 - 10.9, Bolt	32	GB/T5783-2000
2		12 - 300HV, Washer	51	GB/T96.1-2002
3		M12 X 30 - 10.9, Bolt	19	GB/T5783-2000
4		Base	1	
5		Base	1	
6		Base	1	
7		Base	1	
8		Base	1	
9		Base	1	
10		Base	1	
11		Base	1	
12		Base	1	

HOOD



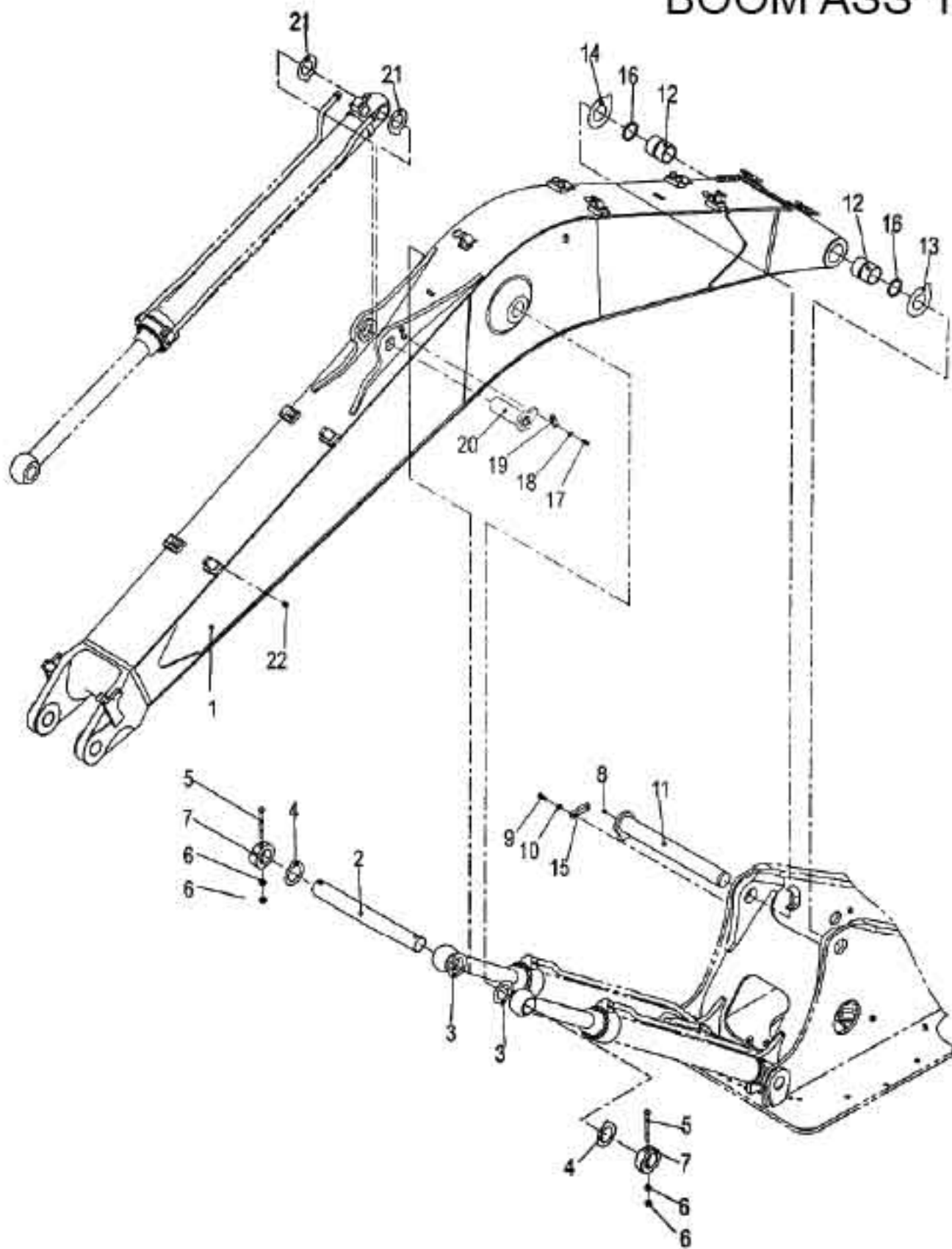
Hood				
Index	Part Code	Description and Specification	Q`TY	Remarks
1		Bracket	1	
2		12-300HV, Washer	11	GB/T97.1-2002
3		M12 X 25 - 10.9, Bolt	8	GB/T5783-2000
4		Retainer	1	
5		Retainer	1	
6		Hood	1	
7		Sheet	1	
8		Sheet	1	
9		Sheet	1	
10		Sheet	1	
11		Lock	2	
12		8 - 200HV, Washer	8	GB/T97.1-2002
13		M8 X 20 - 8.8, Bolt	8	GB/T5783-2000
14		M8 - 8, Nut	4	GB/T6170-2000
15		Seal	1	
16		4 X 20, Pin	3	GB/T91-2000
17		B12 X 32, Pin	3	GB/T882-2008
18		II, Bar II	1	
19		I, Bar, I	1	
20		Seal	1	

FLOOR FRAME ASS'Y



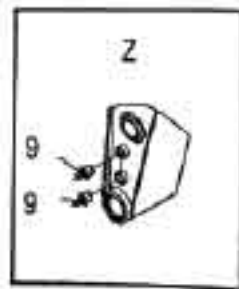
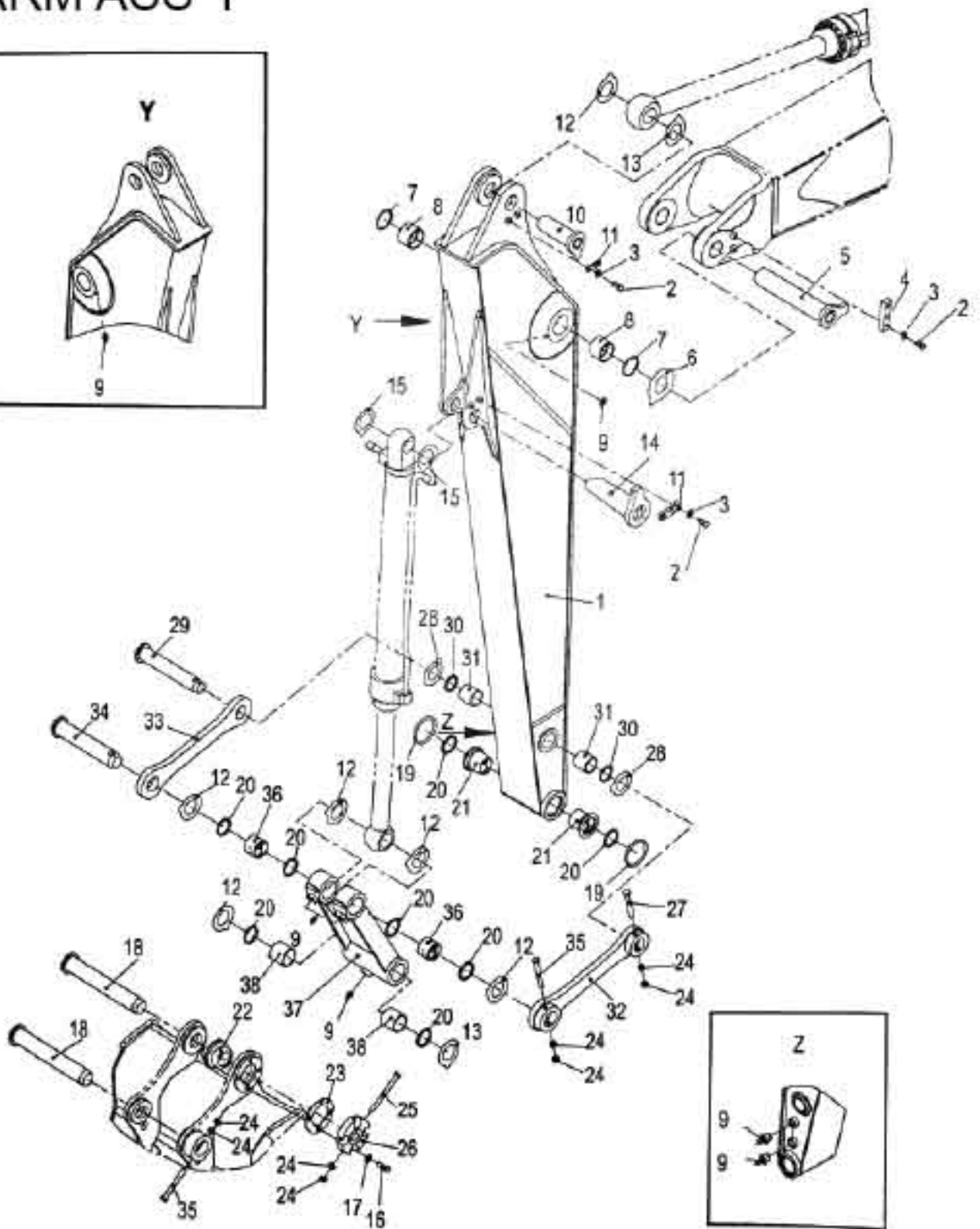
Floor Frame Ass'y				
Index	Part Code	Description and Specification	Q`TY	Remarks
1		Floor Frame	1	
2		Rubber Mat	1	
3		Pedal Support	2	
4		Pedal	2	
5		M10 X 30 - 10.9, Bolt	6	GB/T5783-2000
6		10 - 300HV, Washer	6	GB/T97.1-1987
7		Dustproff Ring	2	
8		Dustproff Ring	3	
9		Damper	6	
10		10 - 35 - 45HRC, Washer	24	
11		M10 X 25 - 10.9, Bolt	24	
12		M16 X 50 - 10.9, Bolt	6	
13		16 - 35 - 45HRC, Washer	6	GB/T5783-2000
14		Sponge	1	GB/T97.1-1987

BOOM ASS'Y



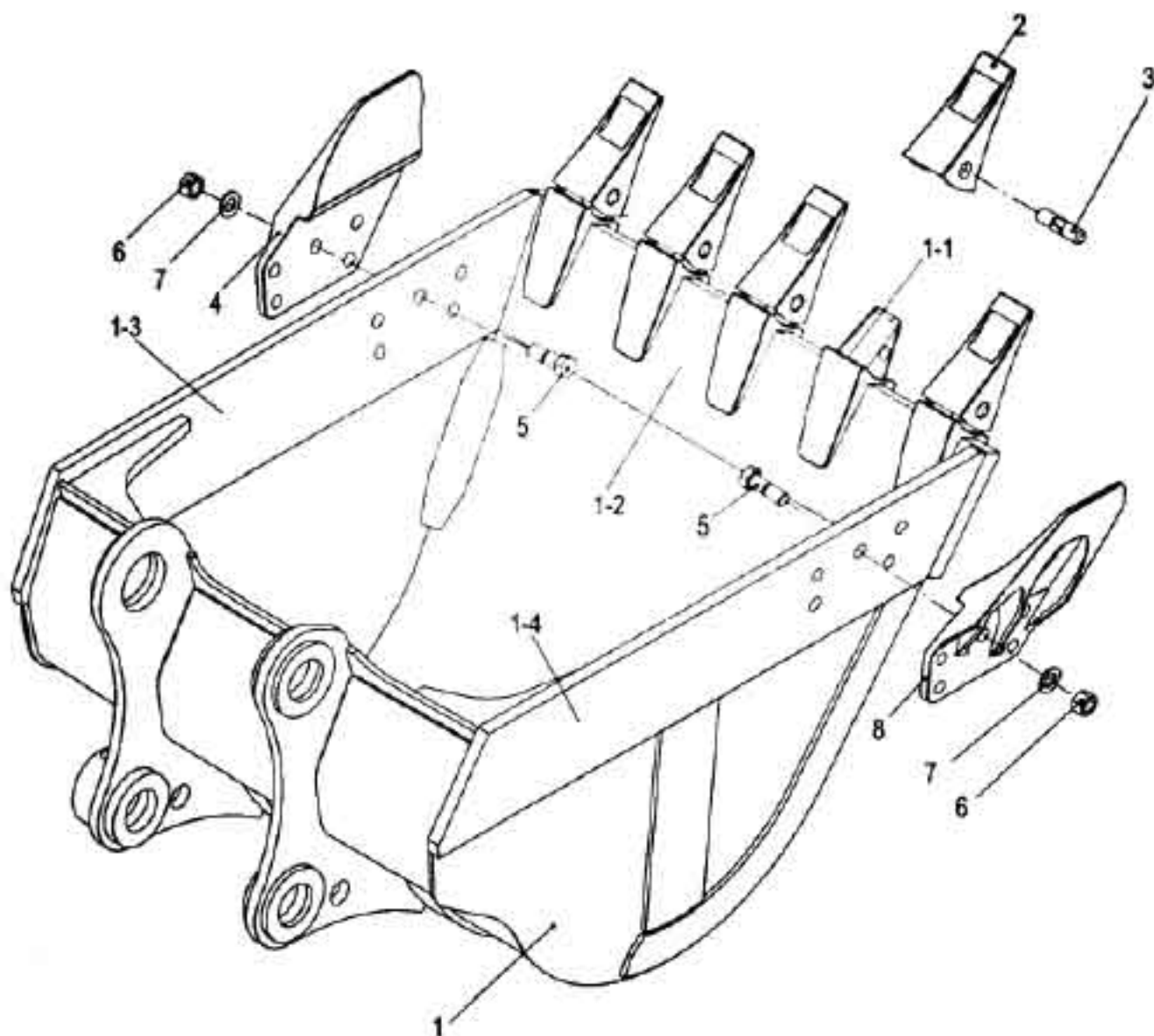
Boom Ass'y				
Index	Part Code	Description and Specification	Q`TY	Remarks
1		Boom	1	
2		Pin	1	
3		Spacer	2	
4		Spacer	2	
5		M20 X 180 - 10.9, Bolt	2	GB/T5782-2000
6		M20 - 10, Nut	4	GB/T6170-2000
7		Bushing	2	
8		M16 X 25, Screw	1	GB/77-2000
9		M16 X 40 - 10.9, Bolt	2	GB/T5783-2000
10		16 - 300HV, Washer	2	GB/T97.1-2002
11		Pin	1	
12		Bushing	2	
13		Spacer	1	
14		Spacer	1	GB/T91-2000
15		Plate	1	
16		90 X 105 X 8, Seal	2	
17		M12 X 30 - 10.9, Bolt	2	GB/T5783-2000
18		12 - 300HV, Washer	2	GB/T97.1-2002
19		Plate	1	
20		Pin	1	
21		Spacer	2	
22		Plug	20	

ARM ASS'Y



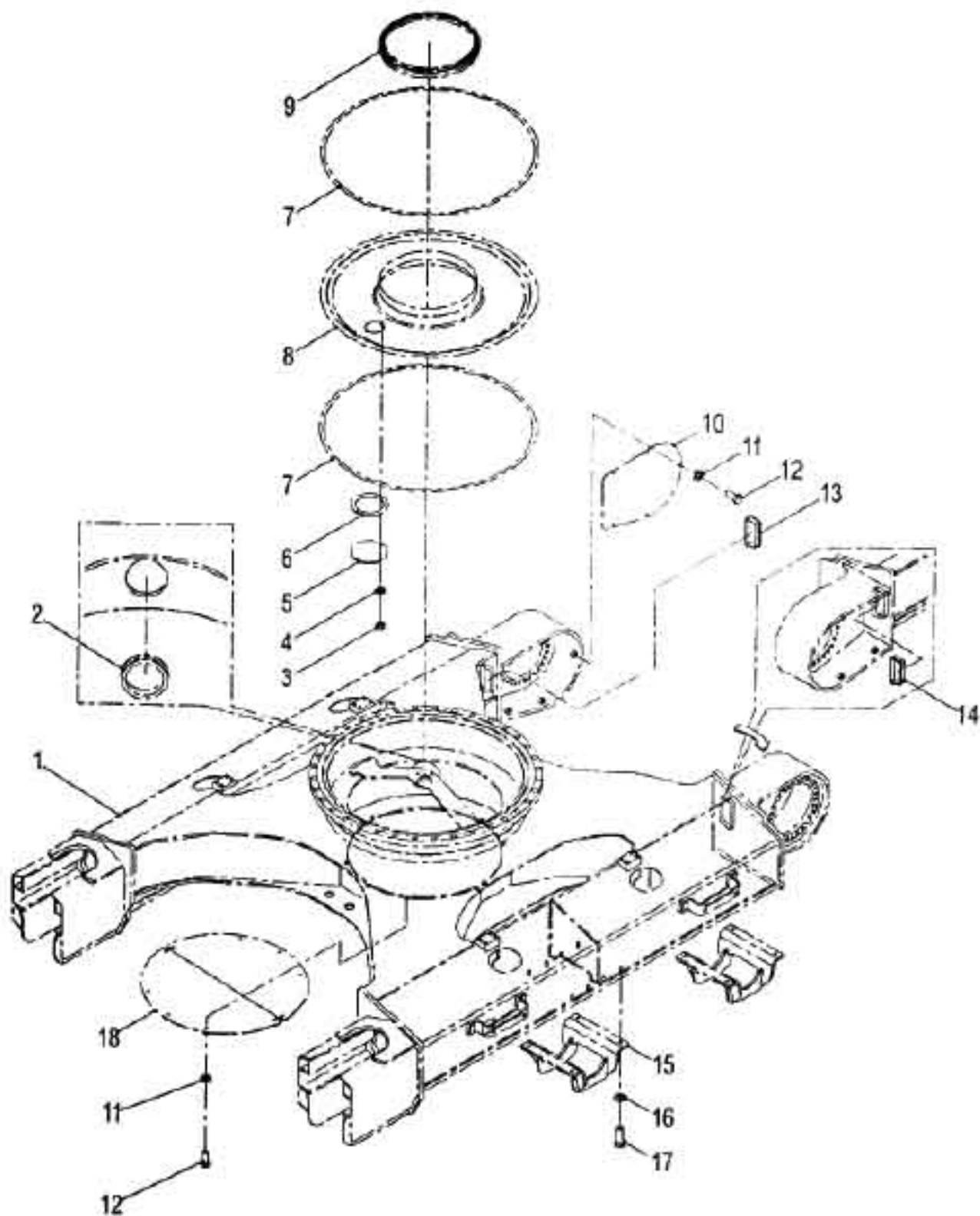
Arm Ass'y				
Index	Part Code	Description and Specification	Q`TY	Remarks
1		Arm	1	
2		M12 x 30 - 10.9, Bolt	6	GB/T5783-2000
3		12 - 300HV, Washer	6	GB/T97.1-2002
4		Plate	1	
5		Pin	1	
6		Spacer	1	
7		90 X 105 X 4, Seal	2	
8		Bushing	2	
9		R1/8 - 1, Oil Cup	7	GB/T25618.1-2010
10		Pin	1	
11		Plate	2	
12		Spacer	7	
13		Spacer	2	
14		Pin	1	
15		Spacer	2	
16		M20 X 55 - 10.9, Bolt	4	GB/T5783-2000
17		20 - 35 - 45HRC, Washer	4	GB/T1230-2006
18		Pin	2	
19		O - Ring	2	
20		80 X 95 X 8, Seal	8	
21		Bushing	2	
22		Bushing	1	
23		Washer Assembly	1	
24		M20 - 8, Nut	8	
25		Bolt	1	
26		Blocking Ring	1	
27		M20 - 8, Nut	1	
28		Spacer	2	
29		Pin	1	
30		70 X 85 X 8, Seal	2	
31		Bushing	2	GB/T6170-2000
32		Link	1	
33		Link	1	GB/T5782-2000
34		Pin	1	
35		M20 X 180 - 10.9, Bolt	2	
36		Bushing	2	
37		Link	1	
38		Bushing	2	

BUCKET ASS'Y



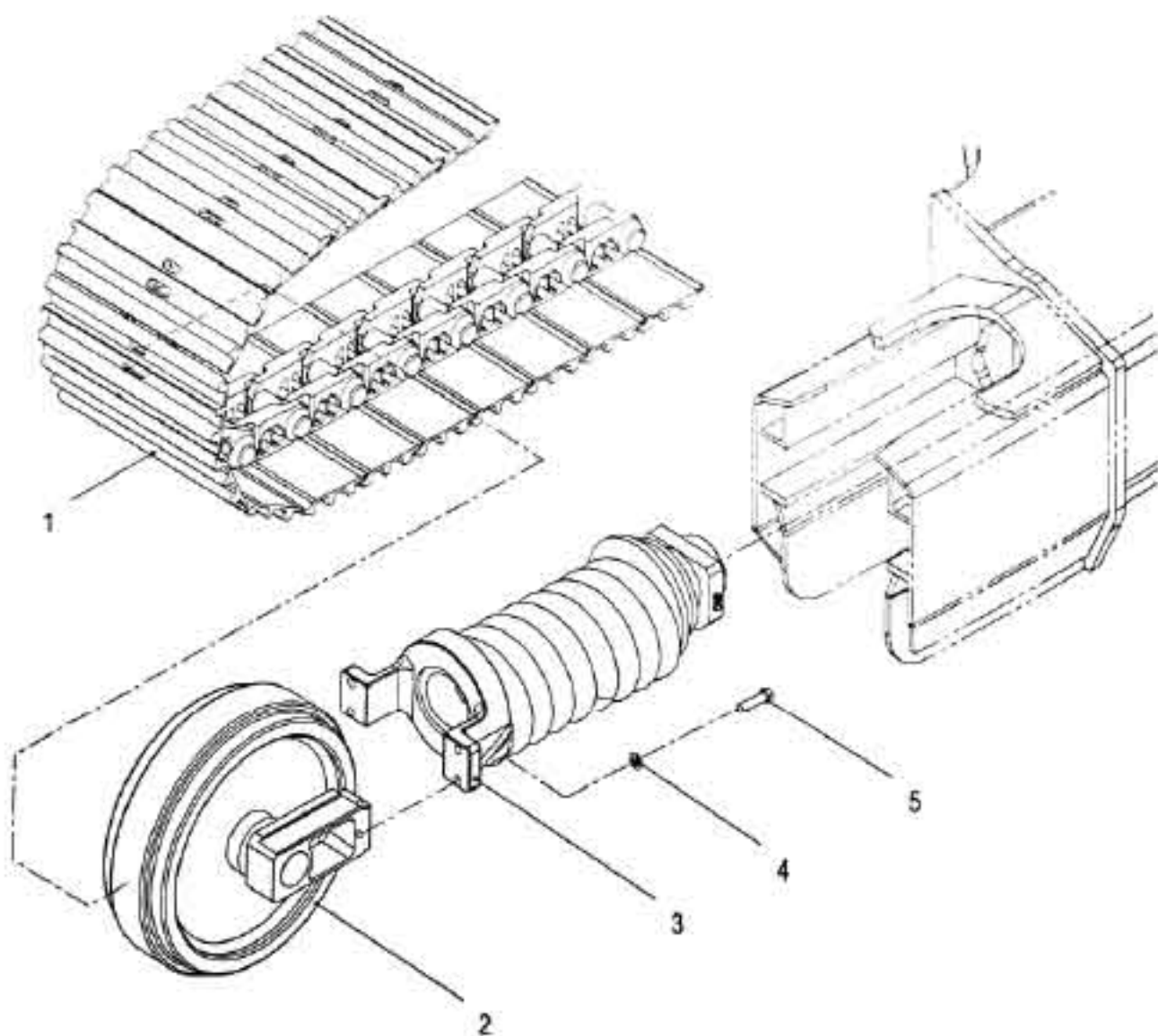
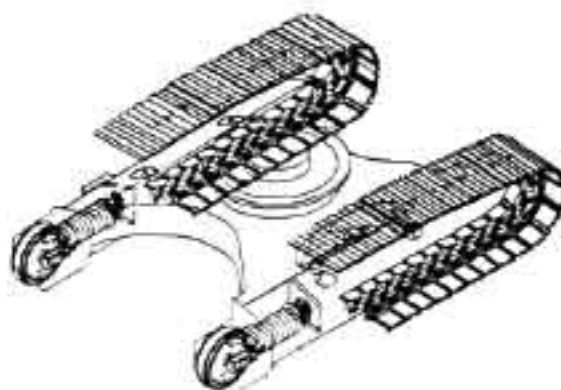
Bucket Ass'y				
Index	Part Code	Description and Specification	Q' TY	Remarks
1		(1.0), Bucket	1	
1-1		200	5	
1-2			1	
1-3			1	
1-4			1	
2		200, Tooth	5	
3		Pin	5	PC200
4		Shroud (Right)	1	
5		Bolt	10	
6		M24 X 2 - 10, Nut	10	GB/T6176-2000
7		24 - 35 - 45HRC, Washer	10	GB/T1230-2006
8		Shroud (Left)	1	

TRACK FRAME ASS'Y

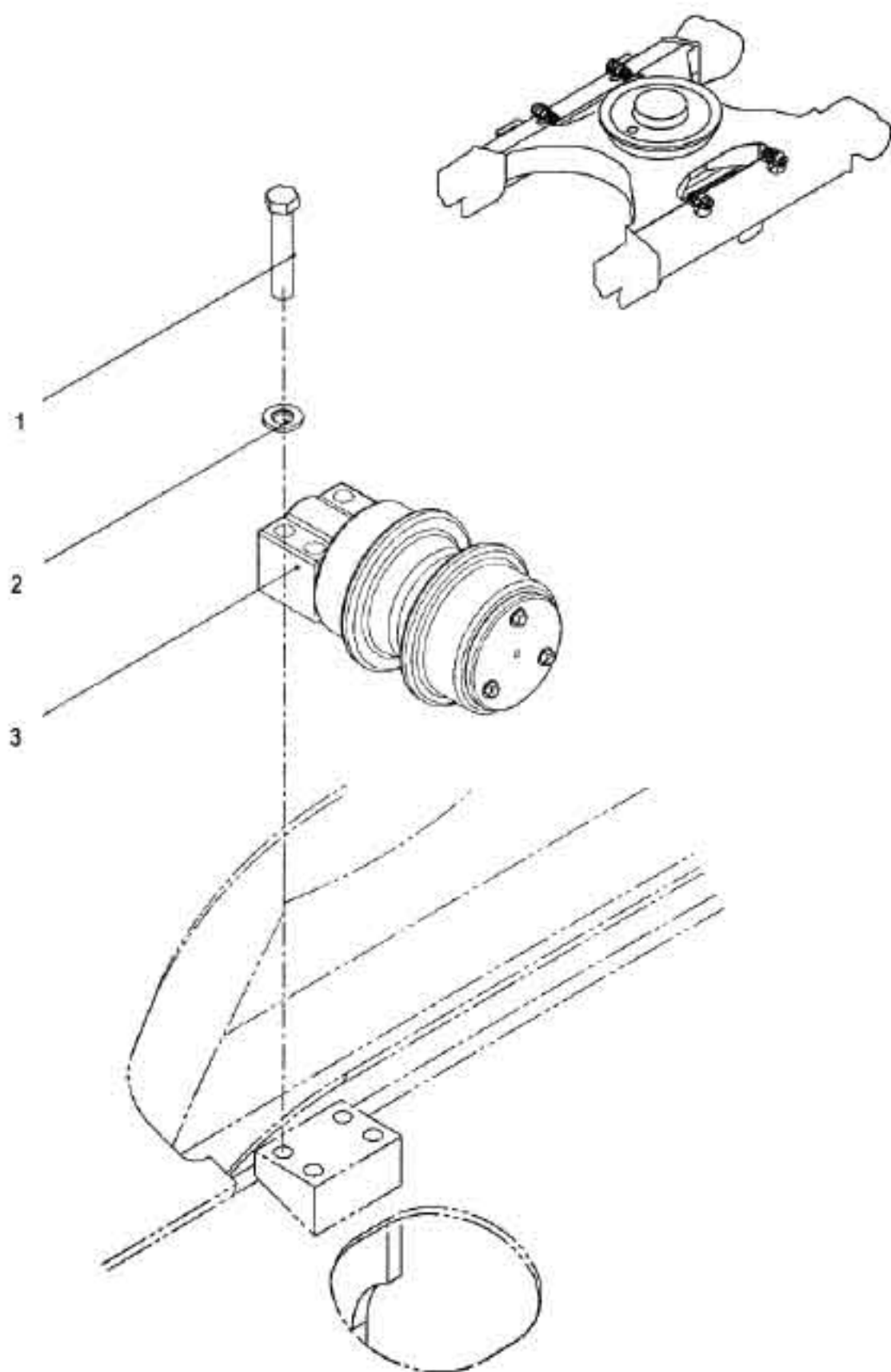


Track Frame Ass'y				
Index	Part Code	Description and Specification	Q`TY	Remarks
1		Track Fram	1	
2		Grommet	2	
3		M8 - 8, Nut	2	GB/T6170-2000
4		8 - 200HV, Washer	2	GB/T95-2000
5		Cover	1	
6		Gasket	1	
7		Trip Rubber	2	
8		Plate	1	
9		Seal Ring	1	
10		Plate	2	
11		12 - 300HV, Washer	20	GB/T97.1-2002
12		M12 X 25 - 10.9, Bolt	20	GB/T5783-2000
13		Grommet	1	
14		Grommet	1	
15		Guard	2	
16		13 - 35 - 45HRC, Washer	8	GB/T1230-2006
17		M16 X 45 - 10.9, Bolt	8	GB/T5783-2000
18		Cover	2	

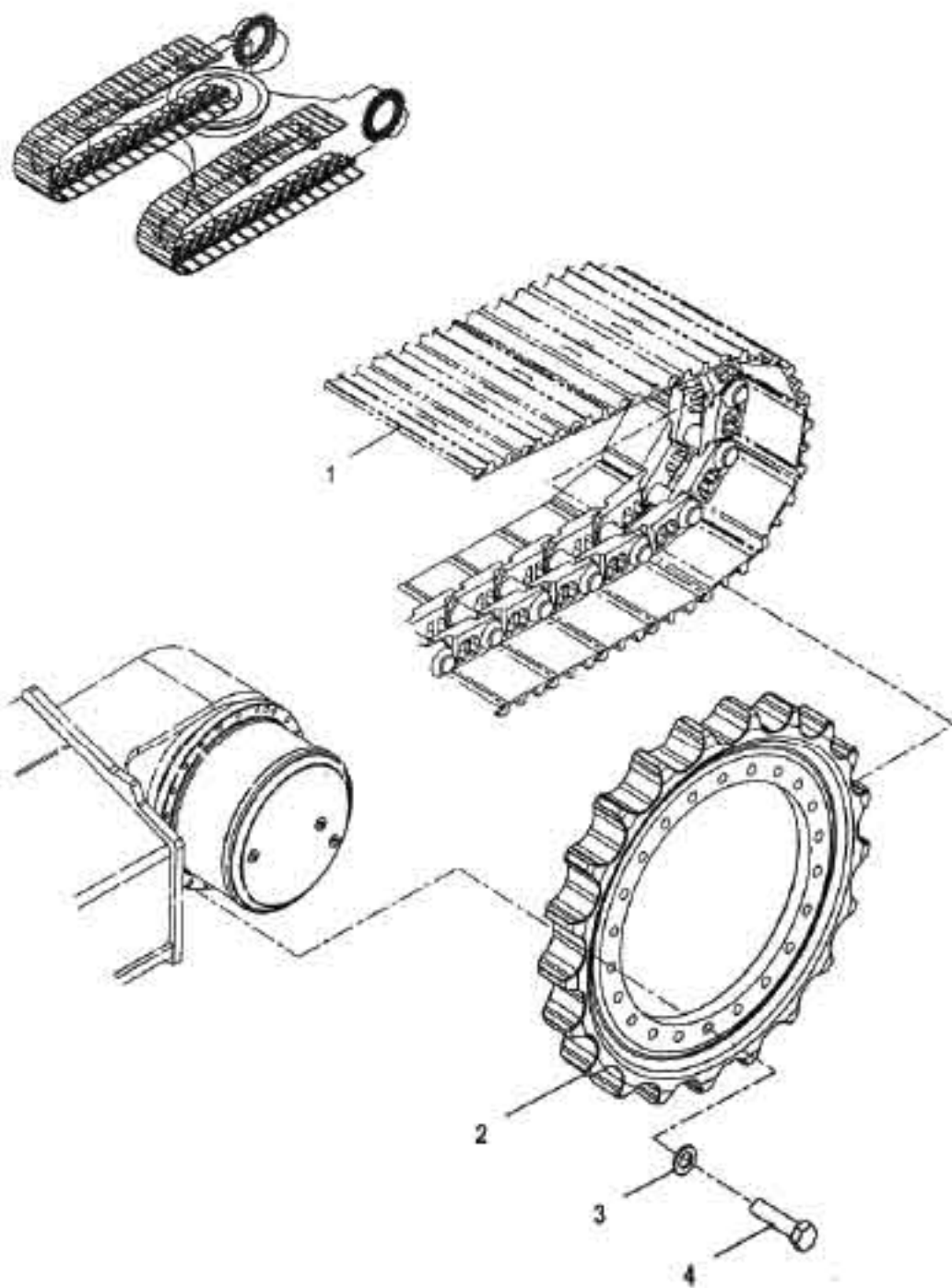
TRAVEL AND UNDER CARRIAGE

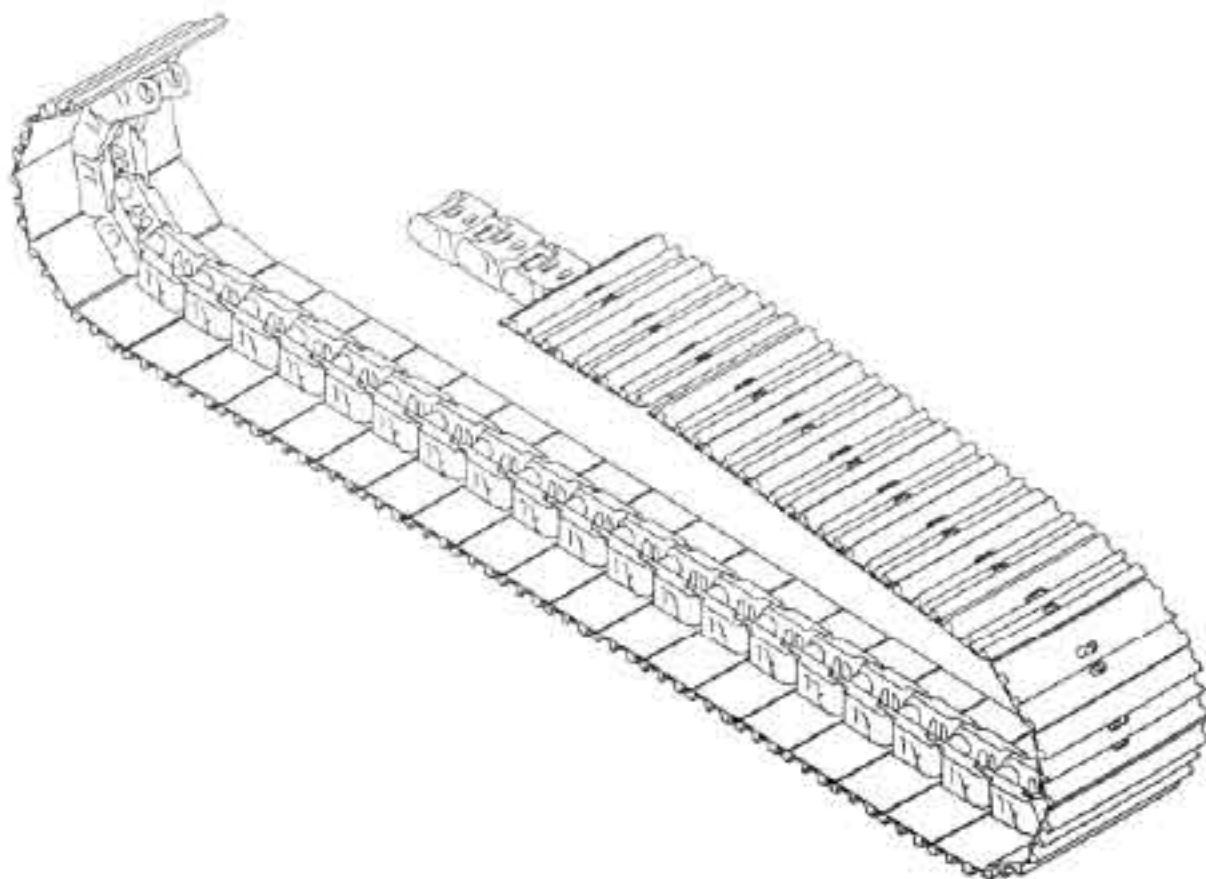
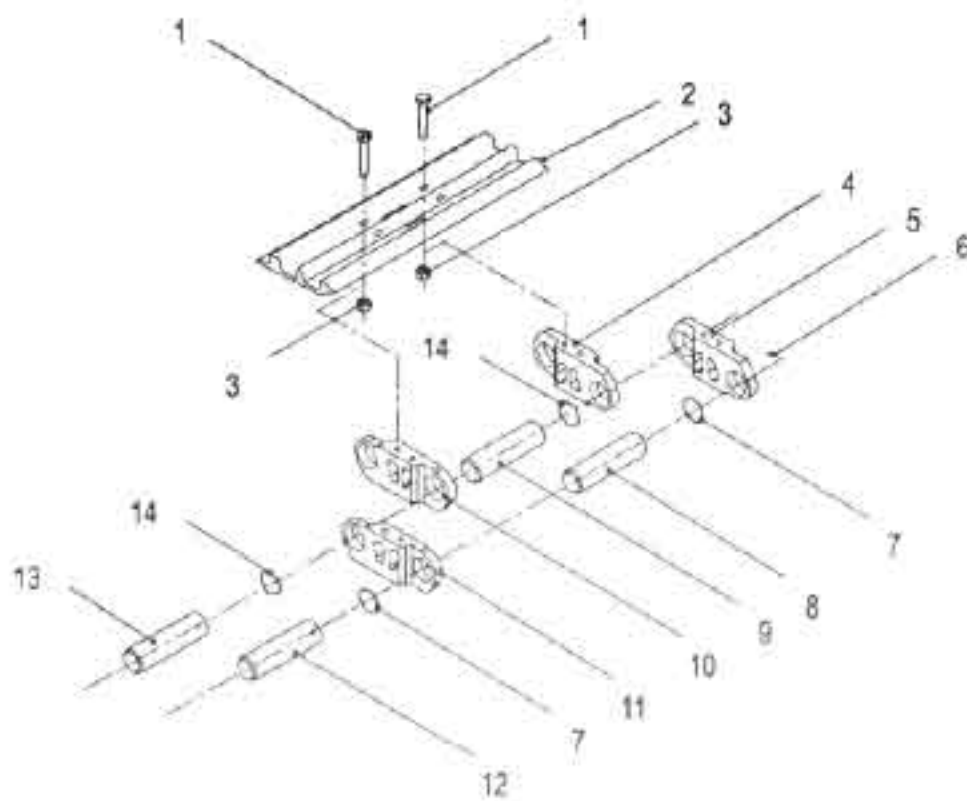


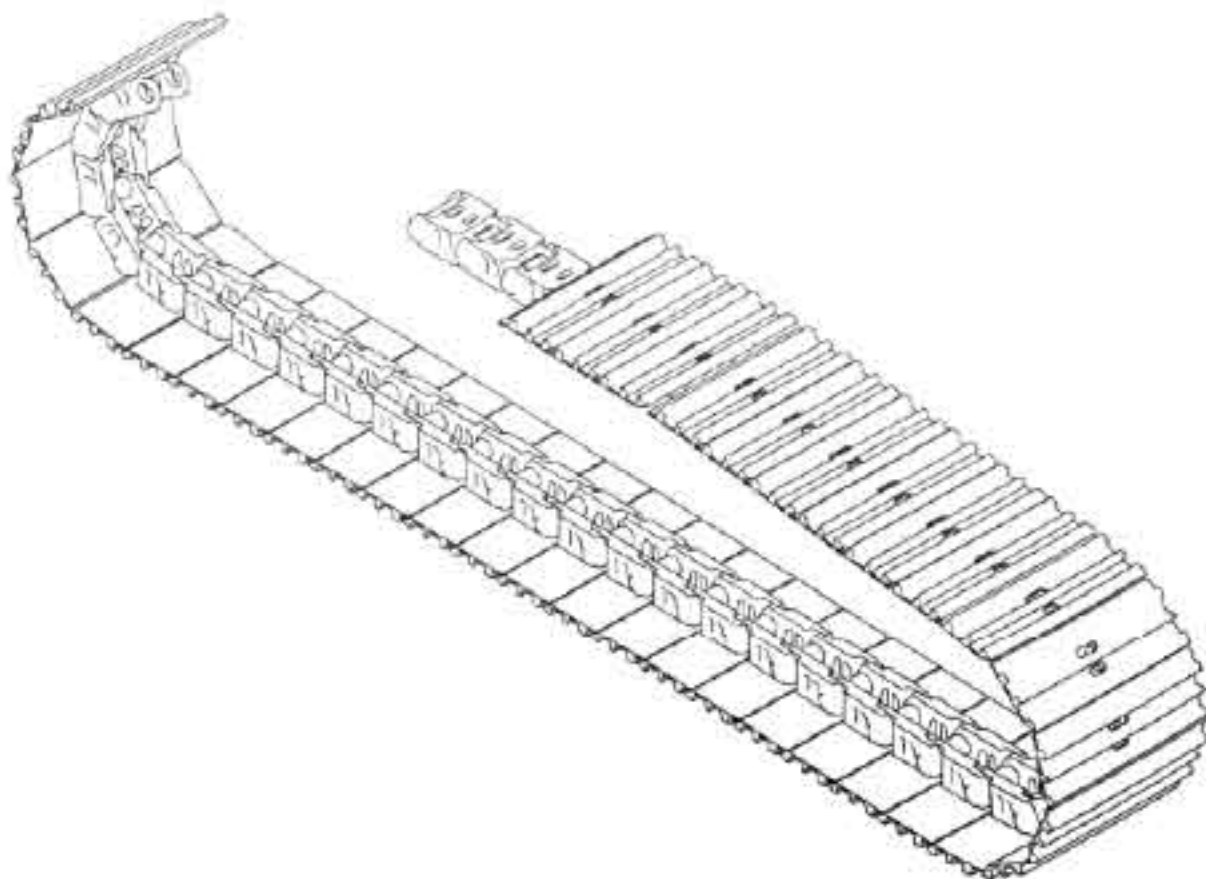
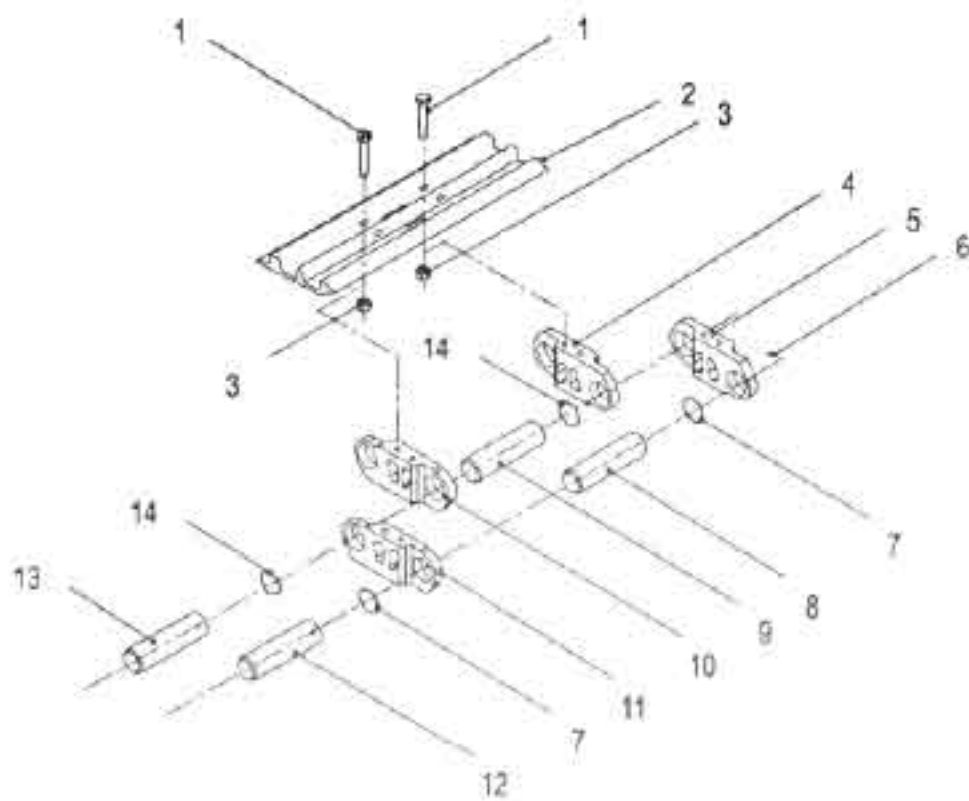
Travel and Under Carriage Ass'y				
Index	Part Code	Description and Specification	Q`TY	Remarks
1		Track Shoe Ass'y	2	
1		Track Shoe Ass'y	2	
1		Track Shoe Ass'y	2	
2		Front Idler Ass'y	2	
3		Idler Cushion	2	
4		16 - 35 - 45HRC, Washer	8	GB/T1230-2006
5		M16 X 60 - 12.9, Bolt	8	GB/T5782-2000



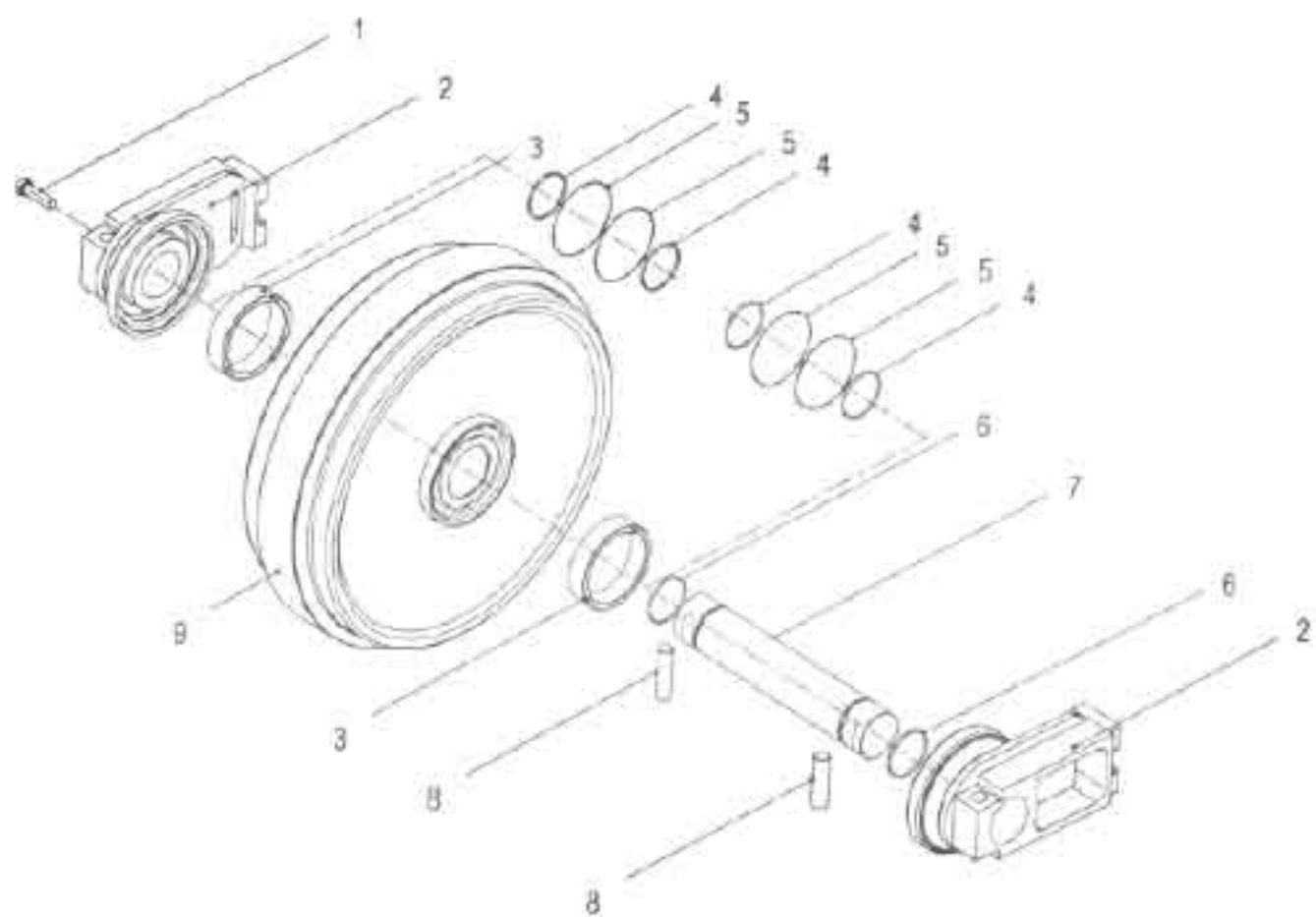
Assembling of Carrier Roller				
Index	Part Code	Description and Specification	Q`TY	Remarks
1		M16 X 85 - 10.9, Bolt	16	GB/T5782-2000
2		16 - 35 - 45HRC, Washer	16	GB/T1230-2006
3		Carrier Roller	4	



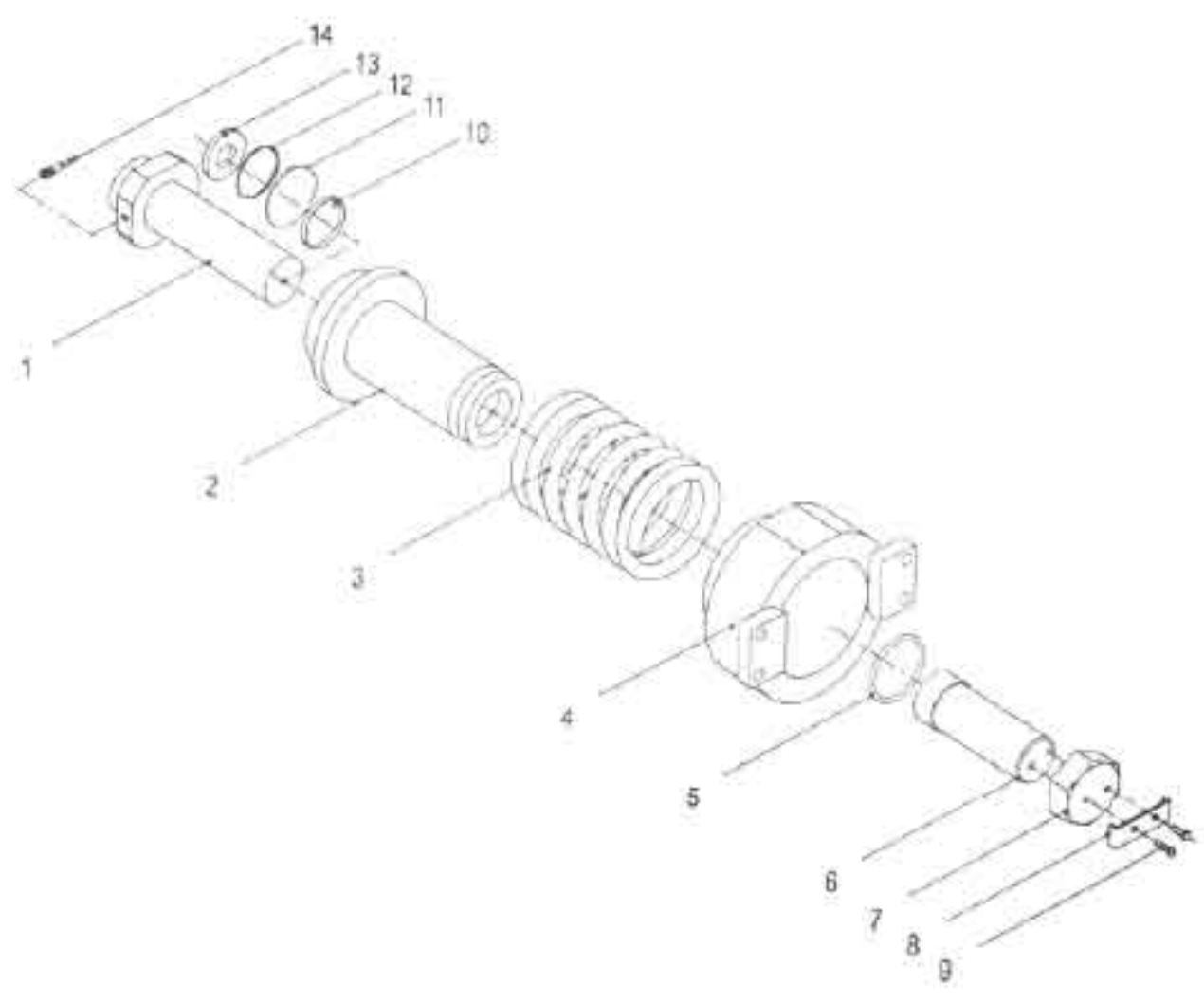




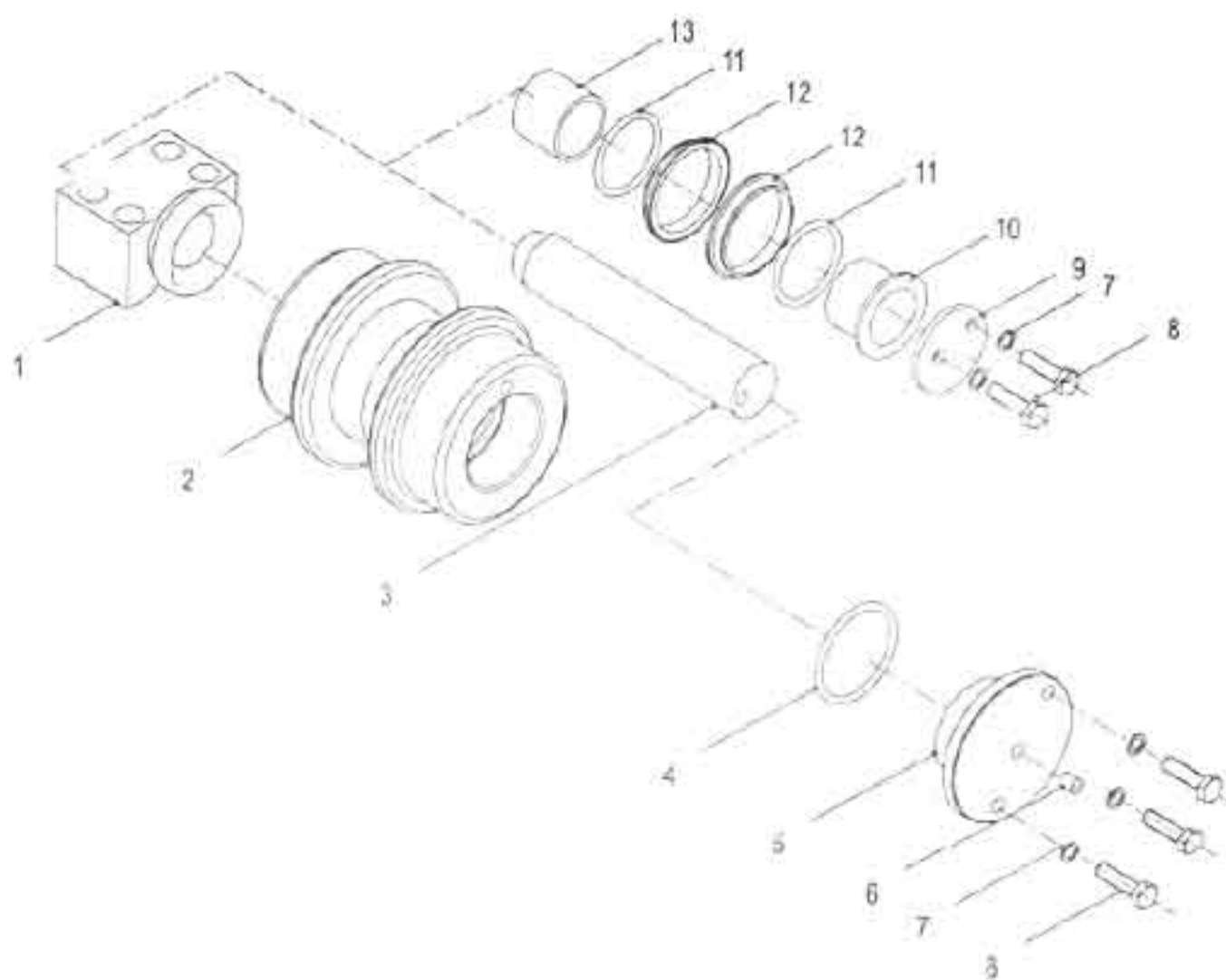
Track Shoe Ass'y				
Index	Part Code	Description and Specification	Q`TY	Remarks
1		Bolt	184	
2		Shoe - Track	46	
3		Nut	184	
4		Link - Left	1	
5		Mainlink - Left	45	
6		Pin	1	GB91-86
7		Seal Ring	90	
8		Bushing	45	
9		Bushin - Master	1	
10		Link - Right	1	
11		Mainlink - Right	45	
12		Melt	45	
13		Pin - Mastr	1	
14		Seal Ring - Master	2	



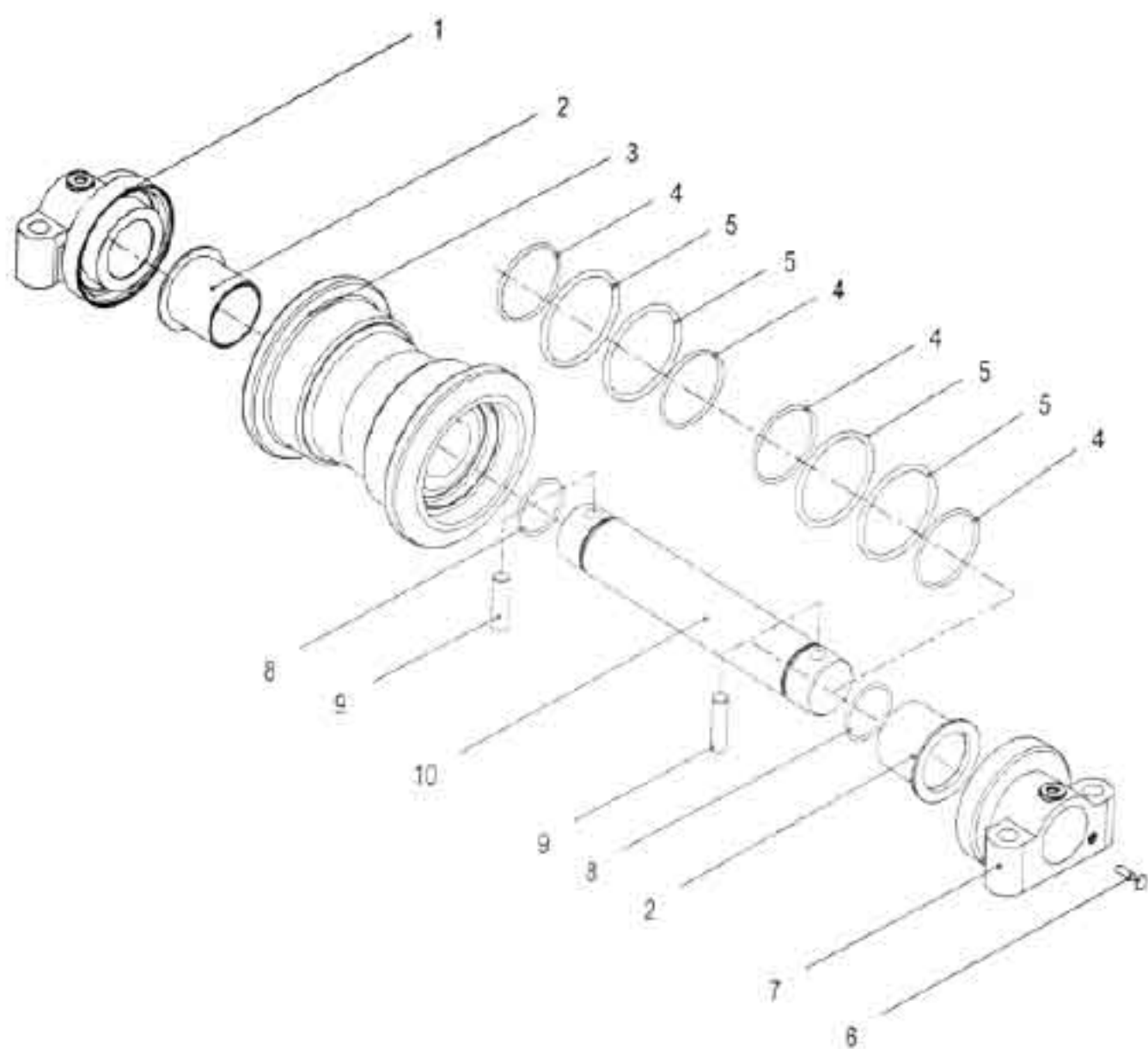
Idler Ass'y				
Index	Part Code	Description and Specification	Q`TY	Remarks
1		Plug	1	
2		Bracket	2	
3		Bearing Bush	2	
4		Floating Rubber Ring	4	
5		Floating Seal Ring	4	
6		O - Ring	2	
7		Shaft	1	
8		Pin	2	
9		Idler	1	



Idler Cushion				
Index	Part Code	Description and Specification	Q`TY	Remarks
1		Rod	1	
2		Cylinder	1	
3		Spring	1	
4		Bracket	1	
5		O - Ring	1	
6		Rod	1	
7		Nut	1	
8		Lock Plate	1	
9		Bolt	2	
10		Seal Ring	1	
11		Seal Ring	1	
12		Bracket Rod	1	
13		Ring - Dust	1	
14		Oil Valve	1	

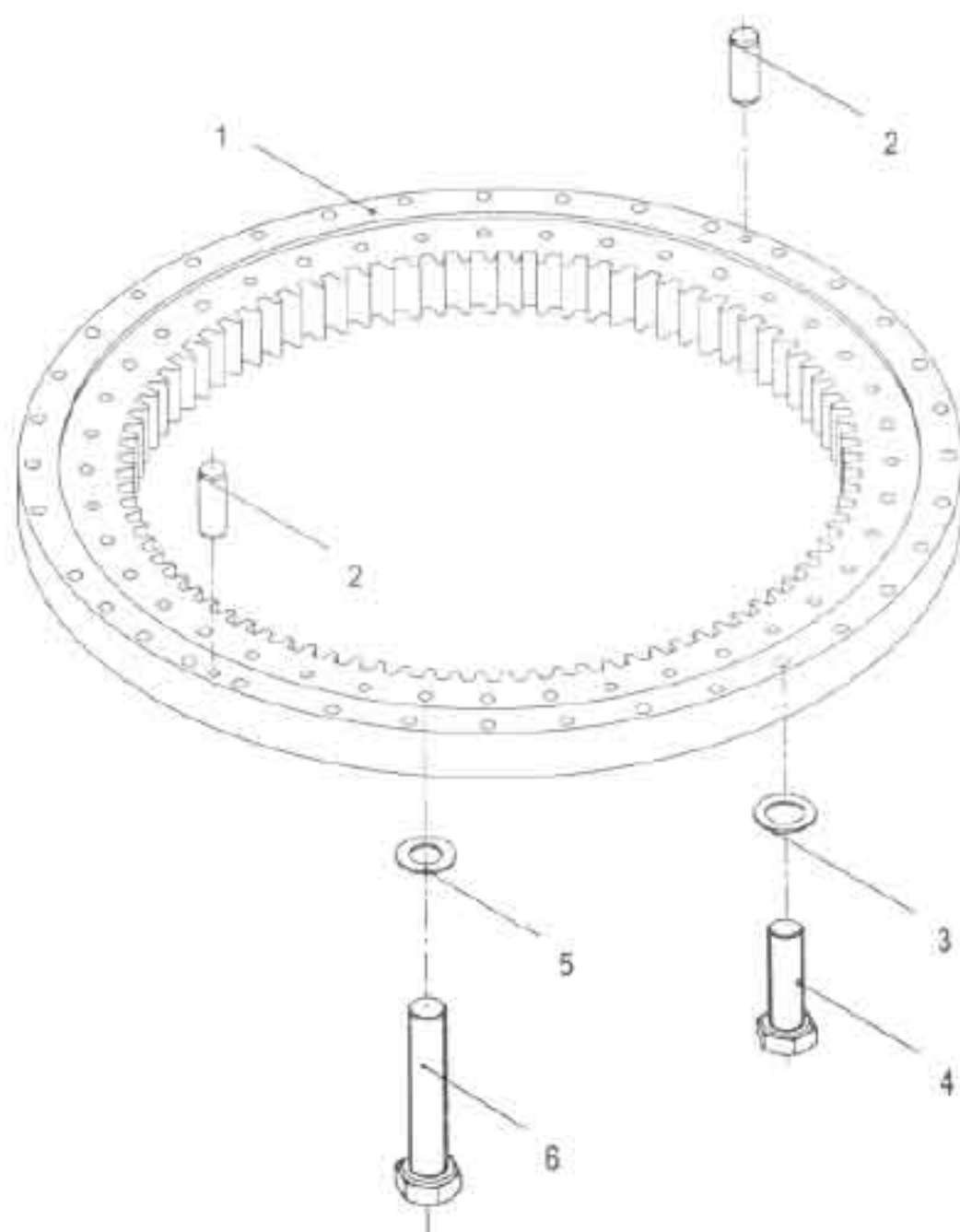


Roller - Lower				
Index	Part Code	Description and Specification	Q`TY	Remarks
1		Bracket	1	
2		Round Body	1	
3		Axis	1	
4		59.92 x 3.53, O - Ring	1	
5		Cover	1	
6		Oil Block	1	
7		10, Washer - Spring	5	GB93-87
8		M10 X 25 - 10.9, Bolt	5	GB783-86
9		Stopping Slice	1	
10		Engine Bearing	1	
11		Floatingrubber Ring	2	
12		Floating Seal Ring	2	
13		Engine Bearing	1	



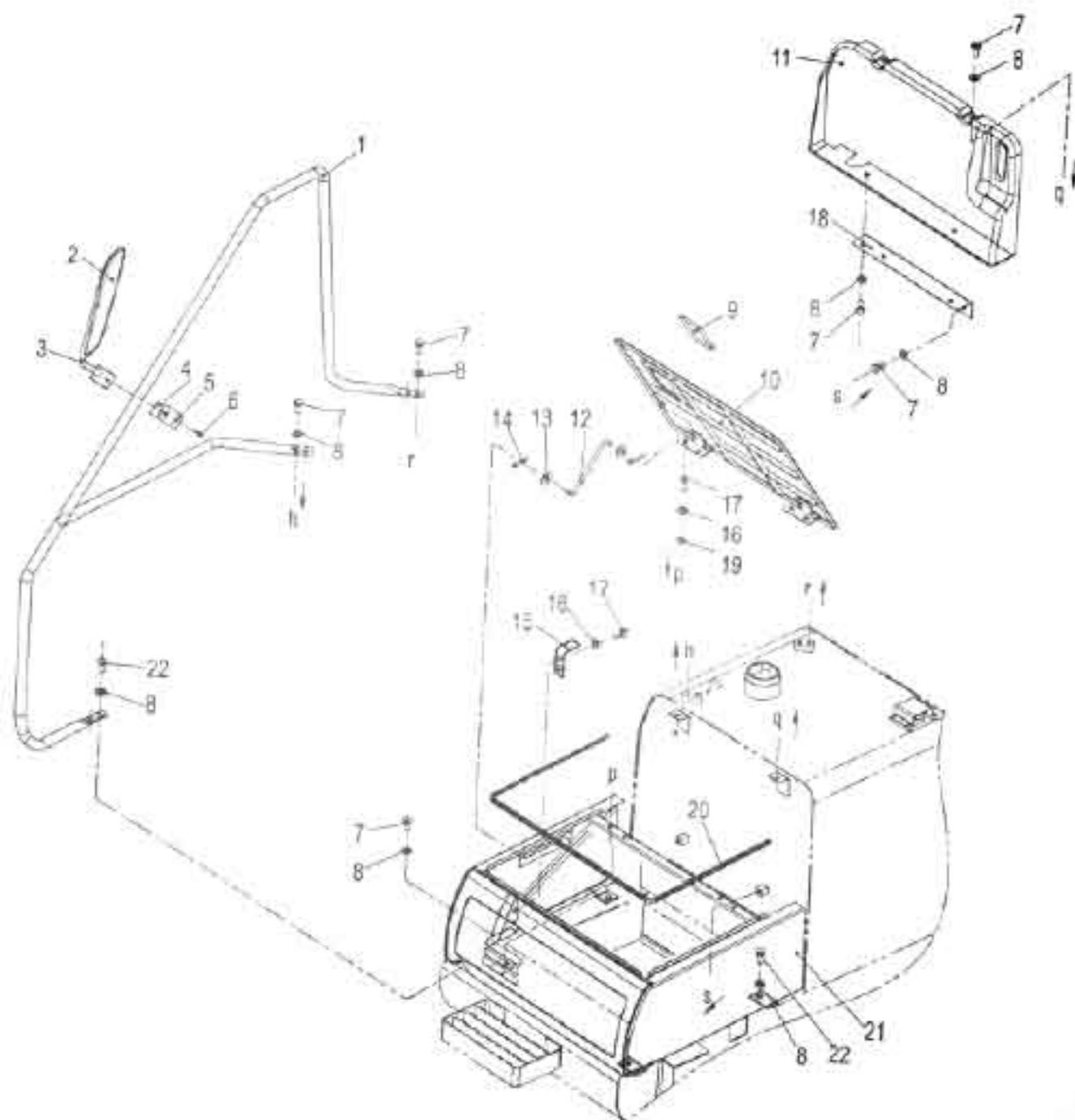
Roller - Lower				
Index	Part Code	Description and Specification	Q`TY	Remarks
1		Bushing - Left	1	
2		Engine Bearing	2	
3		Roller - Lower	1	
4		Floating Rubber Ring	4	
5		Floating Seal Ring	4	
6		Oil Block	1	
7		Bushing - Right	1	
8		O - Ring	2	
9		Cylinder Pin	2	
10		Roller - Lower Axis	1	

SWING CIRCLE ASS'Y



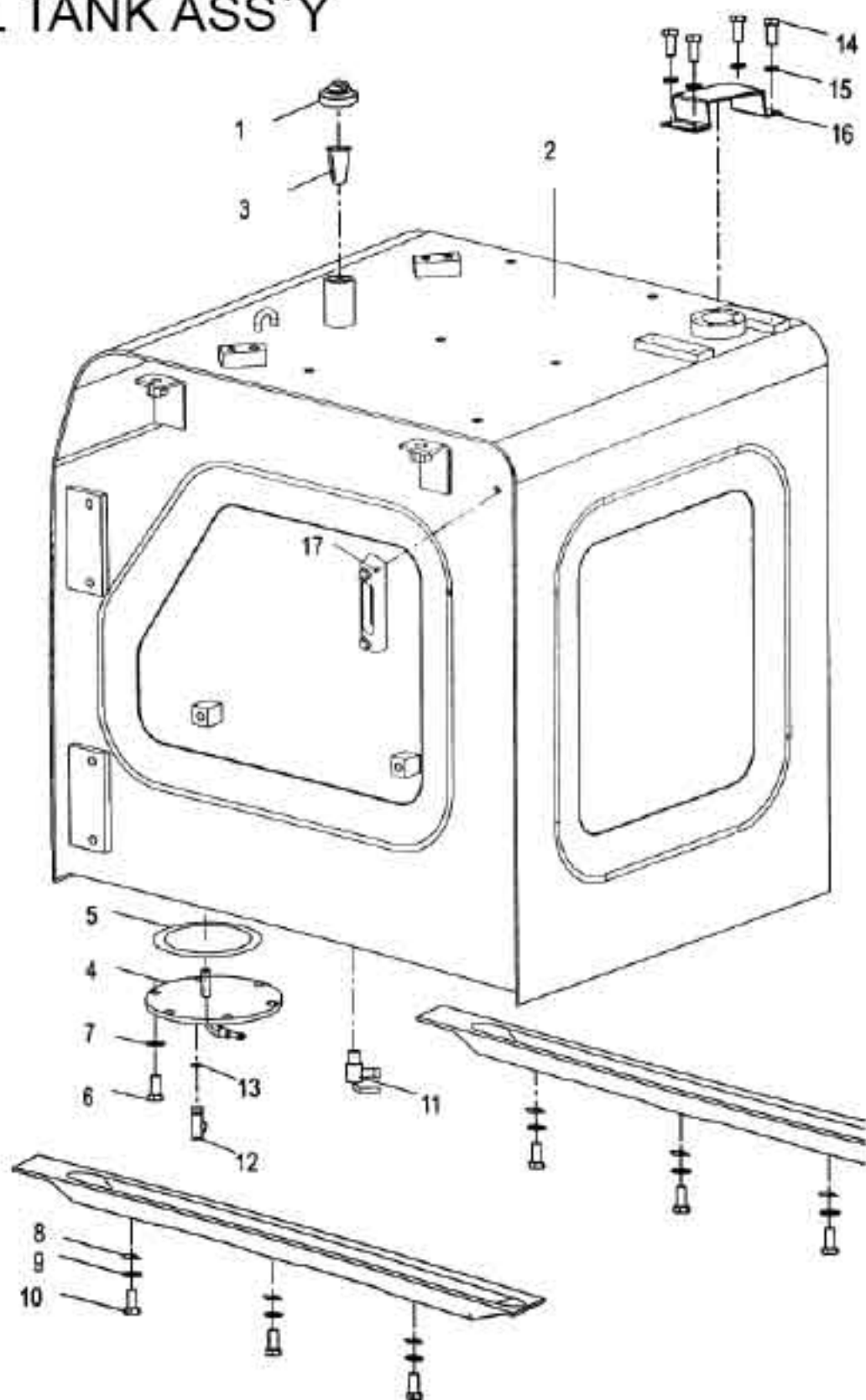
Swing Circle Ass'y				
Index	Part Code	Description and Specification	Q`TY	Remarks
1		Pin	2	
2		Circle	1	
3		20 - 35 - 45HRC, Washer	36	GB/T1230-2006
4		M20 x 70 - 10.9, Bolt	36	GB/T5782-2000
5		22 - 35 - 45HRC, Washer	32	GB/T1230-2006
6		M22 X 110 - 10.9, Bolt	32	GB/T5782-2000

BATTERY CASE ASSY



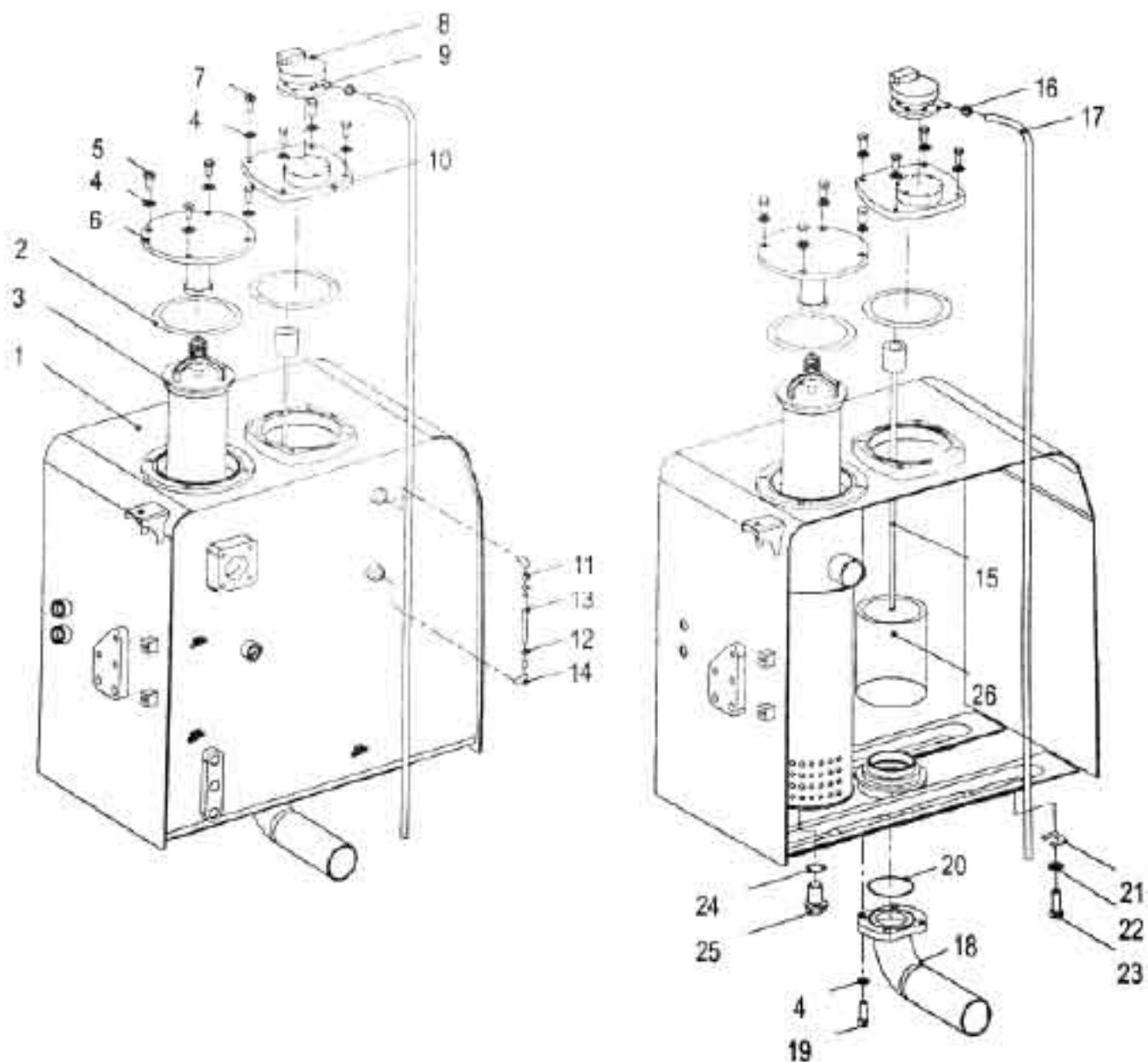
Battery Case Ass'y				
Index	Part Code	Description and Specification	Q' TY	Remarks
1		Ladder	1	
2		14" x 7", Mirror	1	
3		Link	1	
4		Washer	2	
5		Clip	1	
6		M10 X 30 - 10.9, Screw	2	GB/T6170-2000
7		M12 X 30 - 10.9, Bolt	13	GB/T5783-2000
8		12 - 300HV, Washer	16	GB/T97.1-2002
9		Lock	1	
10		Cover Plate	1	
11		Front Cover	1	
12		Bar	1	
13		12 - 35 - 45HRC, Washer	2	GB/T1230-2006
14		3.2 X 25, Pin	2	GB/T91-2000
15		Lock Plate	1	
16		8 - 200HV, Washer	6	GB/T97.1-2002
17		M8 X 20 - 8.8, Bolt	6	GB/T5783-2000
18		Plate	1	
19		M8 - 8, Nut	6	GB/T6170-2000
20		L = 1765, Seal	1	
21		Battery Box	1	
22		M12 X 40 - 10.9, Bolt	3	GB/T5783-2000

FUEL TANK ASS'Y

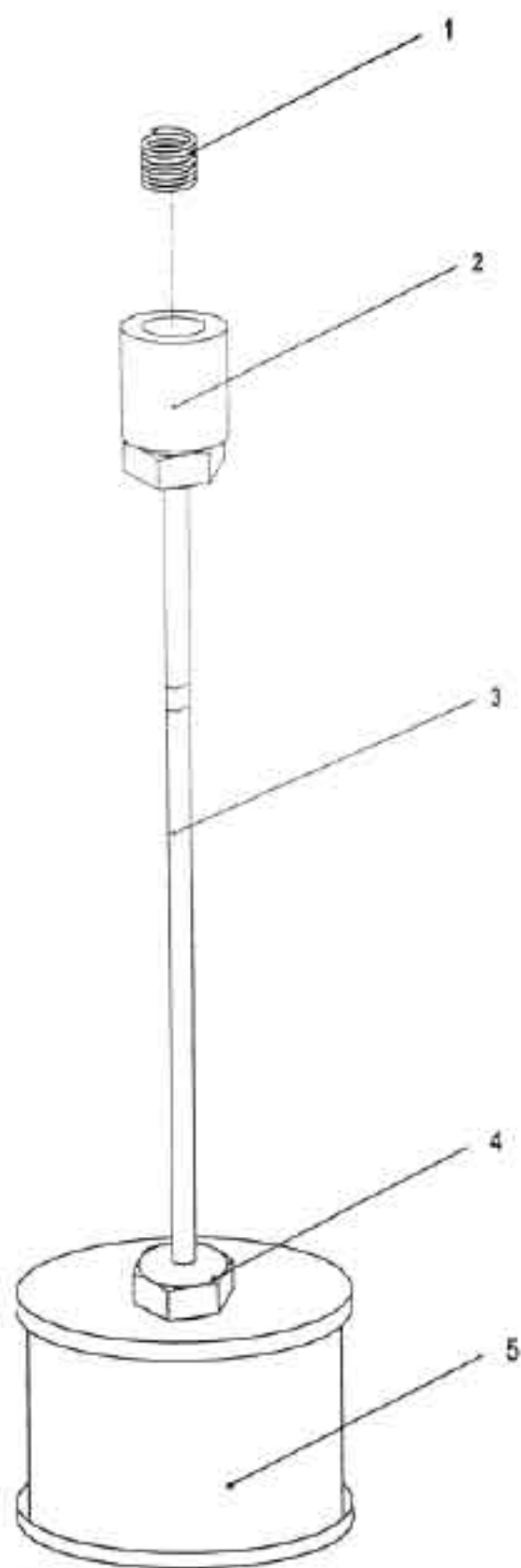


Fuel Tank Ass'y				
Index	Part Code	Description and Specification	Q`TY	Remarks
1		Cap	1	
2		Cap	1	
3		Filter Net	1	
4		Inlet Seat	1	
5		O - Ring	1	
6		M10 X 25 - 8.8, Bolt	6	GB/T5783-2000
7		10 - 200HV, Washer	6	GB/T97.1-2002
8		Plate	6	
9		16 - 35 - 45HRC, Washer	6	GB/T1230-2006
10		M16 X 35 - 10.9, Bolt	6	GB/T5783-2000
11		Connector	1	
12		Walve	1	
13		Seal Washer	1	JB/T982-1977
14		M8 X 16 - 8.8, Bolt	4	GB/T5783-2000
15		8, Washer	4	GB/T93-1987
16		Cover	1	
17		Liquid Thermometer	1	

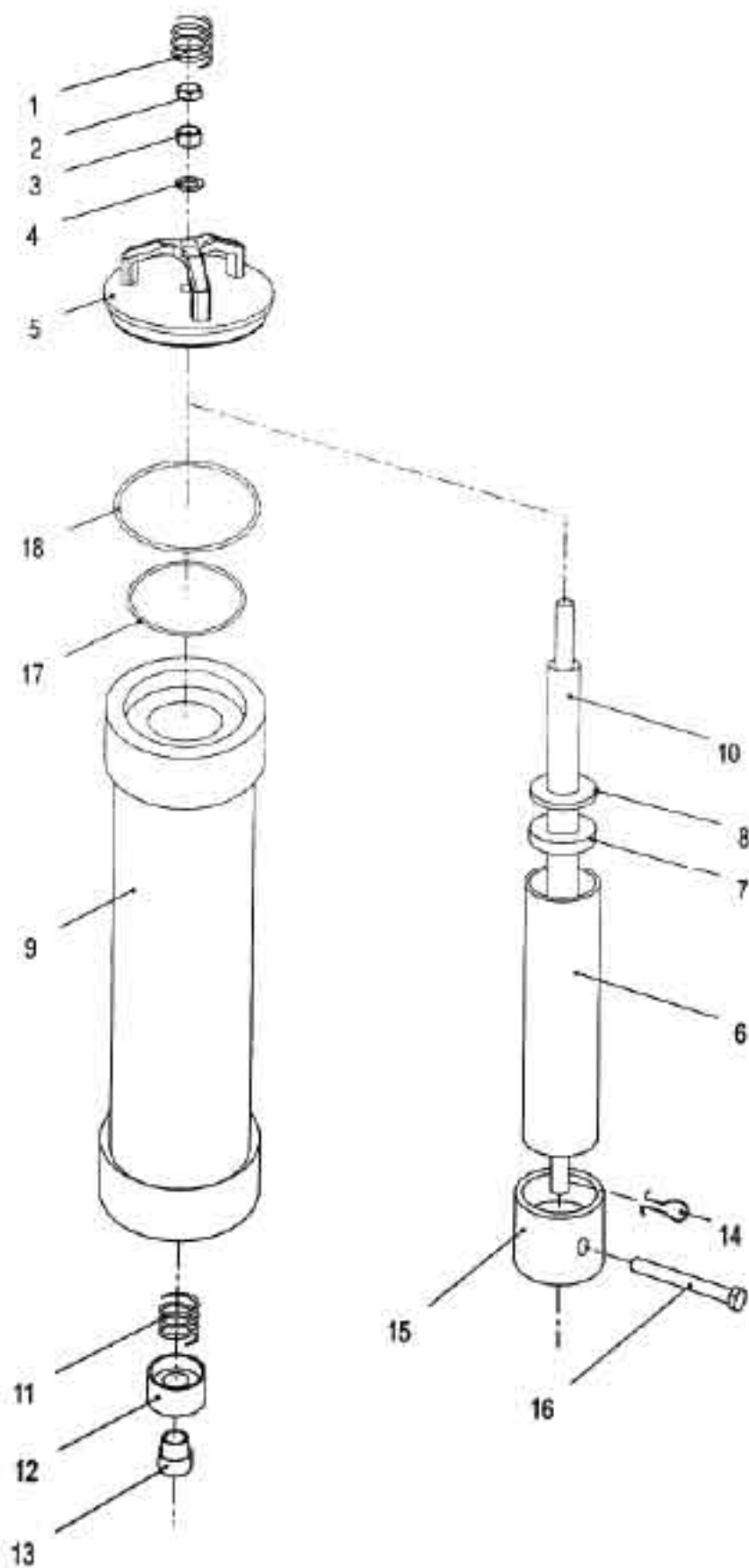
HYDRAULIC TANK ASS'Y



Hidraulic Tank Ass'y				
Index	Part Code	Description and Specification	Q`TY	Remarks
1		Hydraulic Tank	1	
2		O - Ring	2	
3		Return Filter	1	
4		12 - 300HV, Gasket	12	GB/T97.1-2002
5		M12 X 30 - 10.9, Bolt	4	GB/T5783-2000
6		Cover	1	
7		M12 X 25 - 10.9, Bolt	1	GB/T5783-2000
8		Breather	1	
9		M5 X 12 - 4.8, Bolt	6	GB/818-2000
10		Intel Cover	1	
11		Pipe	2	
12		Pipe Nut	2	
13		Hose	1	
14		Elbow	2	
15		Intel Filter	1	
16		Hopp	1	
17		Hose	1	
18		Inte Tube	1	
19		M12 X 35 - 10.9, Bolt	4	GB/T70.1-2008
20		O - Ring	1	
21		Spacer	6	
22		16 - 35 - 45HRC, Gasket	6	GB/T1230-2006
23		M16 X 35 - 10.9, Bolt	6	GB/T5783-2000
24		O - Ring	1	
25		Oil Plug	1	
26		Intel Filter Element	1	

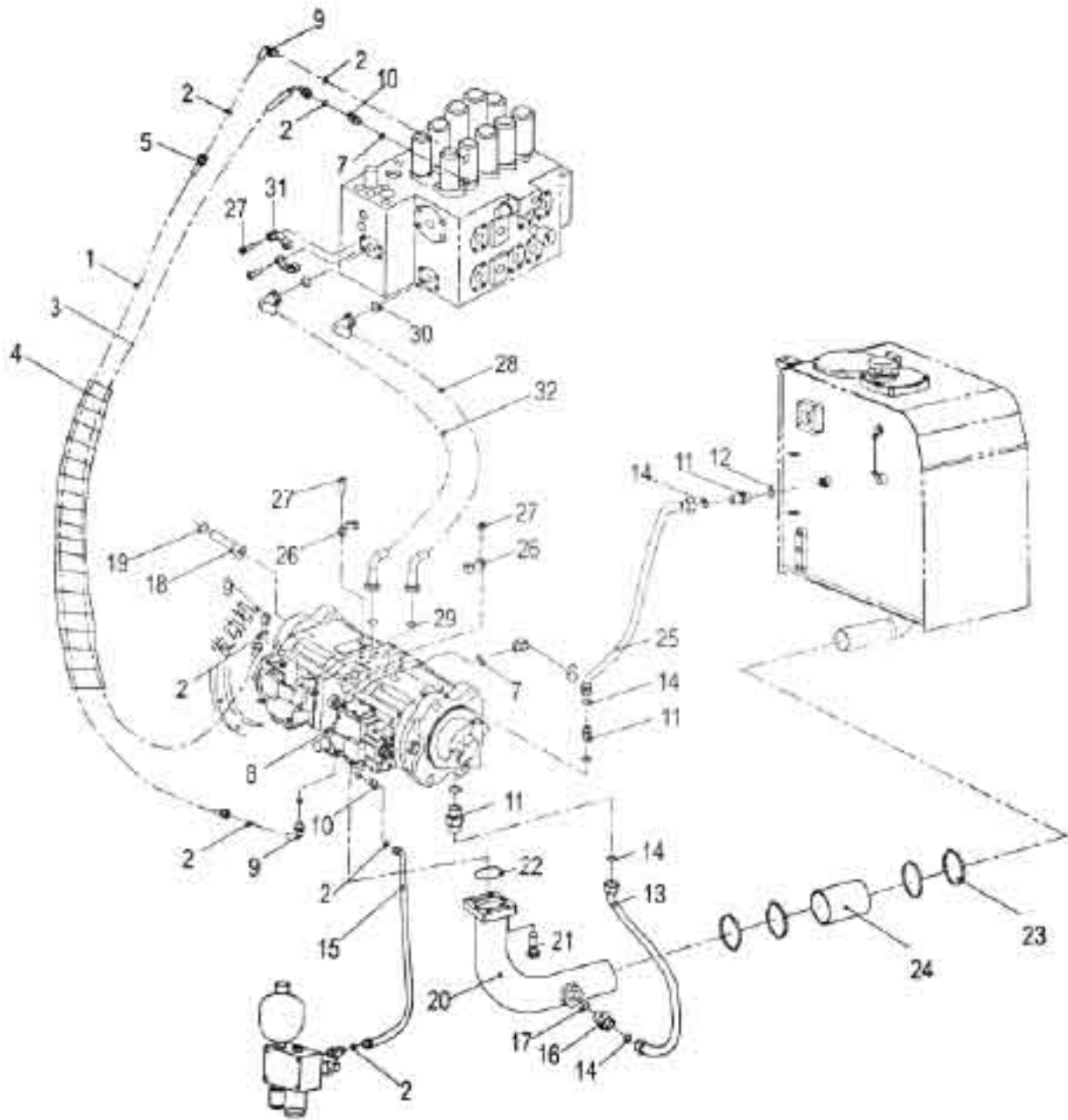


Element				
Index	Part Code	Description and Specification	Q`TY	Remarks
1		Spring	1	
2		Nut	1	
3		Connectingrod	1	
4		Nut	2	
5		Intel Filter Element	1	

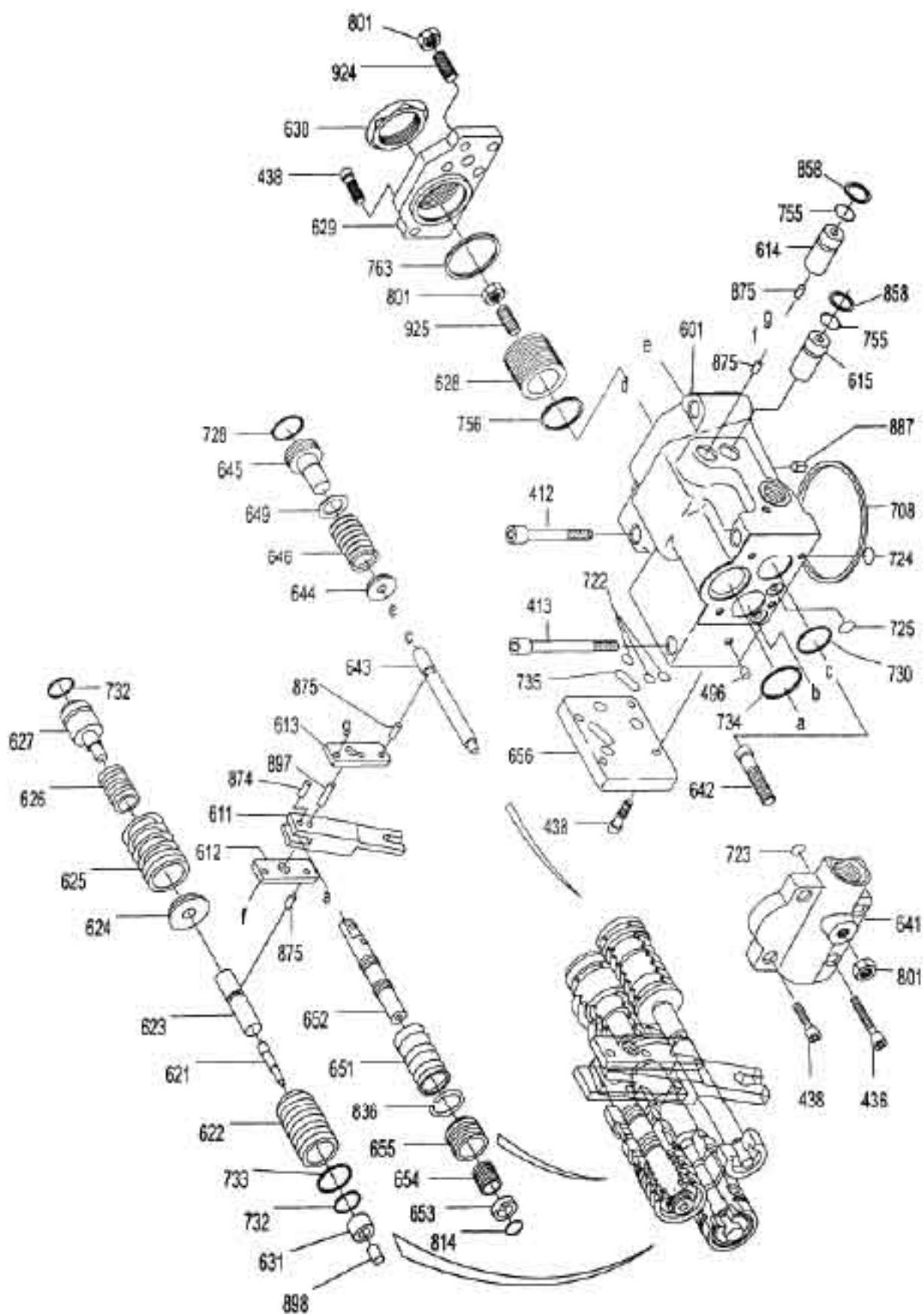


Return Filter				
Index	Part Code	Description and Specification	Q' TY	Remarks
1		Compaction Spring	1	
2		M10, Nut	1	GB/T805-1988
3		M10 - 10, Nut	1	GB/T6170-2000
4		10, Washer	1	GB/T6861.1-1987
5		Element Depresser	1	
6		Magnetic Ring Sleeve	1	
7		Magnetic Ring	1	
8		Magnetic Ring Seat	13	
9		Return Element	1	
10		Rod	14	
11		Byway Vavle Spring	1	
12		Byway Vavle Spring Seat	1	
13		Connecting Bolt	1	
14		Pin	1	GB/T91-2000
15		Magnetic Ring Sleeve	1	
16		M6 X 55 - 8.8, Bolt	1	GB/T70.1-2000
17		O - Ring	1	
18		O - Ring	1	

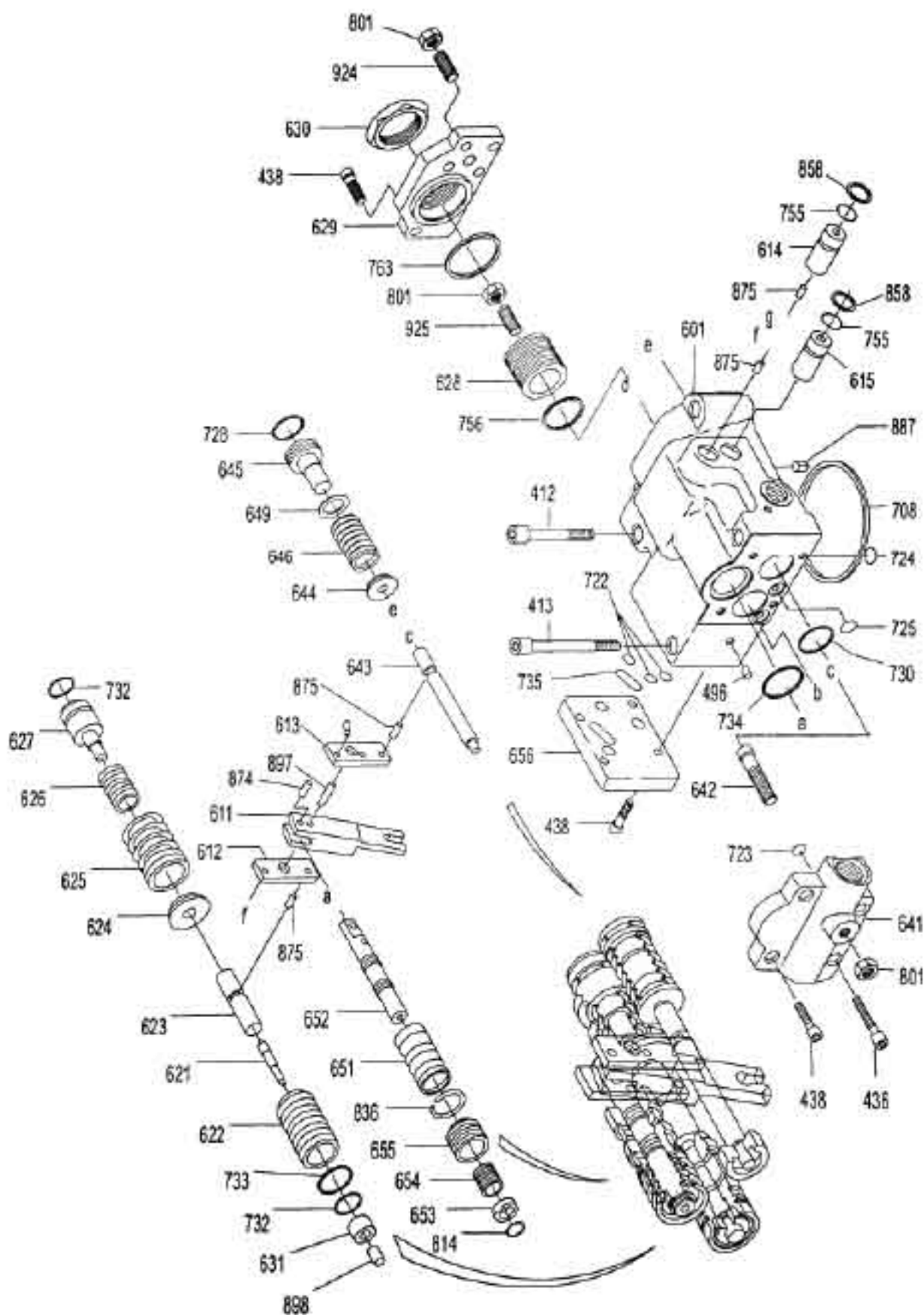
MAIN PUMP HOSE



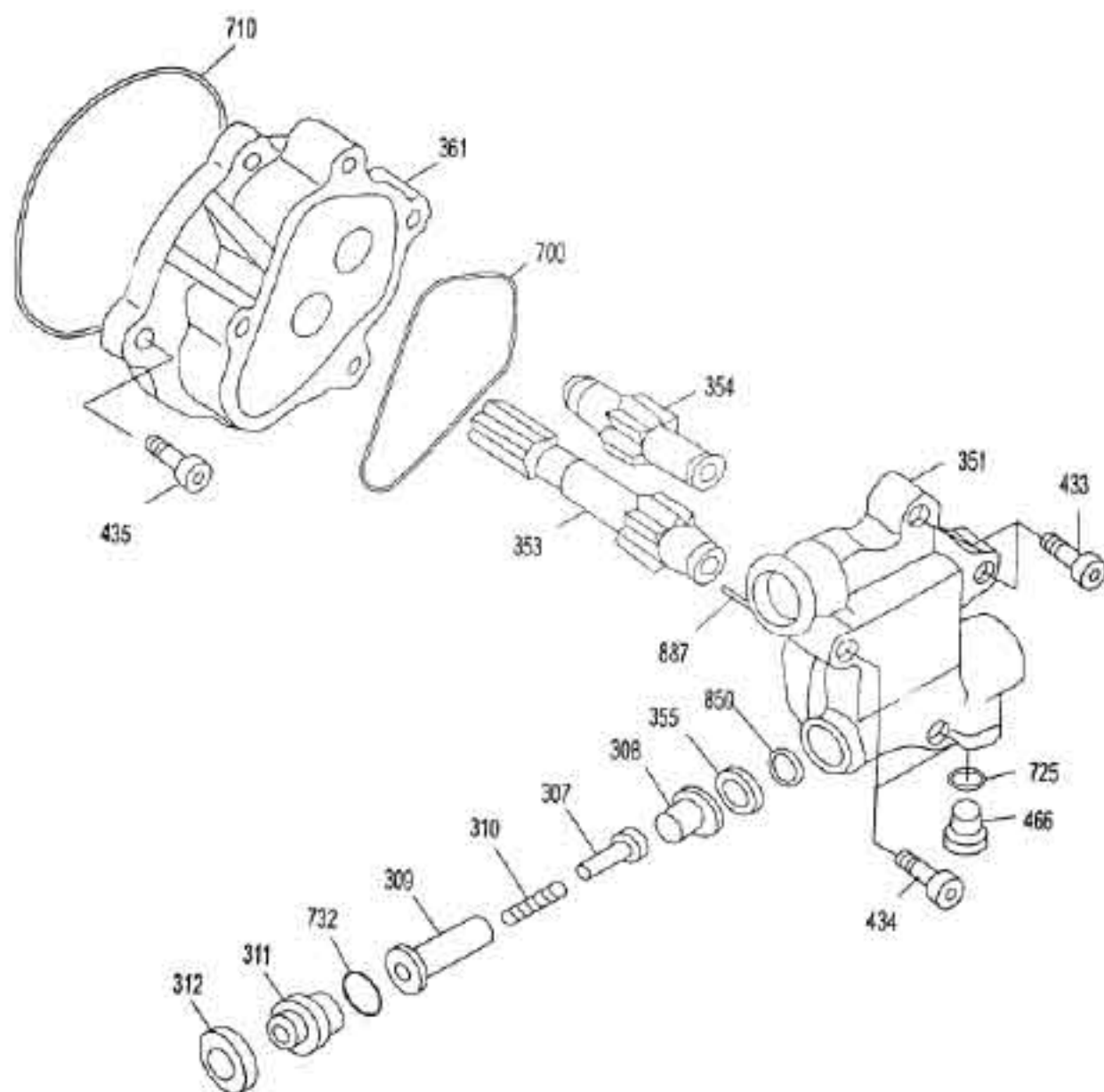
Main Pump Lines				
Index	Part Code	Description and Specification	Q`TY	Remarks
1		Hose	1	
2		O - Ring	7	
3		Hose	1	
4		Adhesive Tape	1	
5		Clamp	4	
6		Connector	2	
7		O - Ring	7	
8		Main Pump	1	
9		Connector	3	
10		Connector	2	
11		Connector	2	
12		O - Ring	3	
13		Hose	1	
14		O - Ring	4	
15		Hose	1	
16		Connector	1	
17		O - Ring	1	
18		M20 X 60 - 10.9, Bolt	4	
19		20 - 35 - 45HRC, Washer	4	
20		Suction Pipe	1	
21		M12 X 40 - 10.9, Bolt	4	
22		O - Ring	1	
23		T - Hoop	4	
24		Hose	1	
25		Hose	1	
26		Two - Piece Flange	2	
27		M10 X 30 - 10.9 Bolt	16	
28		Hose	1	
29		O - Ring	2	
30		O - Ring	2	
31		Two - Piece Flange	2	
32		Hose	1	



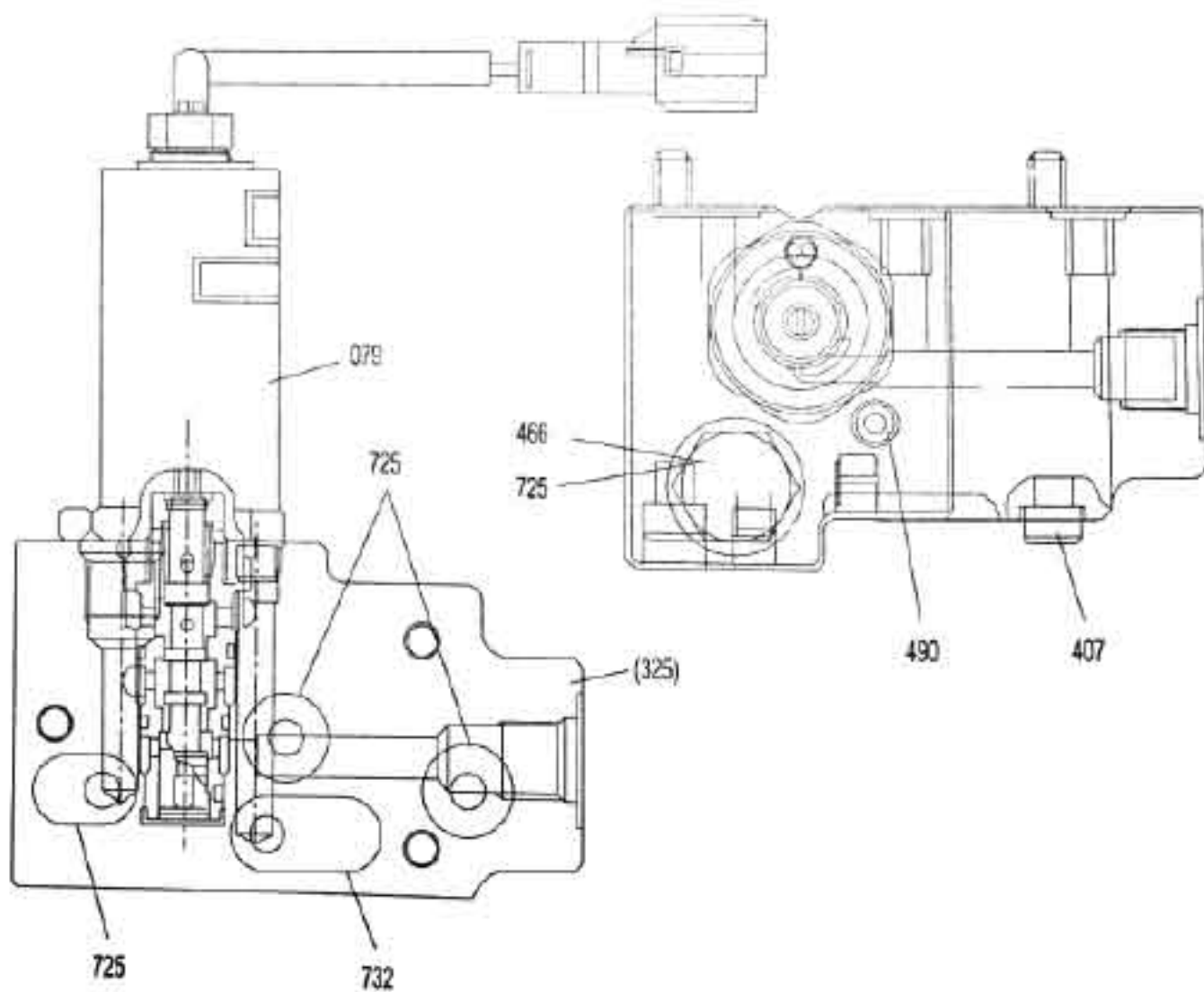
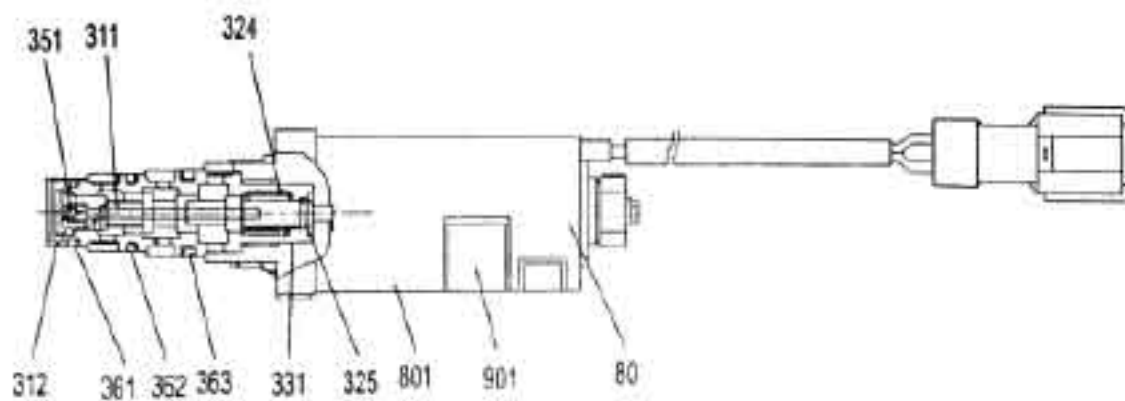
Regulator				
Index	Part Code	Description and Specification	Q`TY	Remarks
A		Regulator	1	
412		M8 - 50, Screw Hex.SHC	2	JISB1176
413		M8 - 70, Screw Hex.SHC	2	JISB1176
436		M6 - 30, Screw Hex.SHC	2	JISB1176
438		M6 - 20, Screw Hex.SHC	10	JISB1176
496		Plug	5	
601		Casing	1	
611		Lever Feedback	1	
612		1, Lever 1	1	
613		2, Lever 2	1	
614		Plug Center	1	
615		Plug Adjust	1	
621		Piston Compensator	1	
622		Case Pistin	1	
623		Rod Compensator	1	
624		C, Seat C Spring	1	
625		Spring Outer	1	
626		Spring Inter	1	
627		C, Stem C Adjust	1	
628		C, Screw C Adjustr	1	
629		C, Cover C	1	
630		Nutv Lock	1	
631		Sleeve Pf	1	
641		Cover Pilot	1	
643		Piston Pilot	1	
644		Q, Seat Q Spring	1	
645		Q, Stem Q Adjust	1	
646		Spring Pilot	1	
651		Sleeve	1	
652		Spool	1	
653		Seat Spring	1	
654		Spring Return	1	
655		Spring Set	1	
656		Cover Block	1	
708		O - Ring	1	



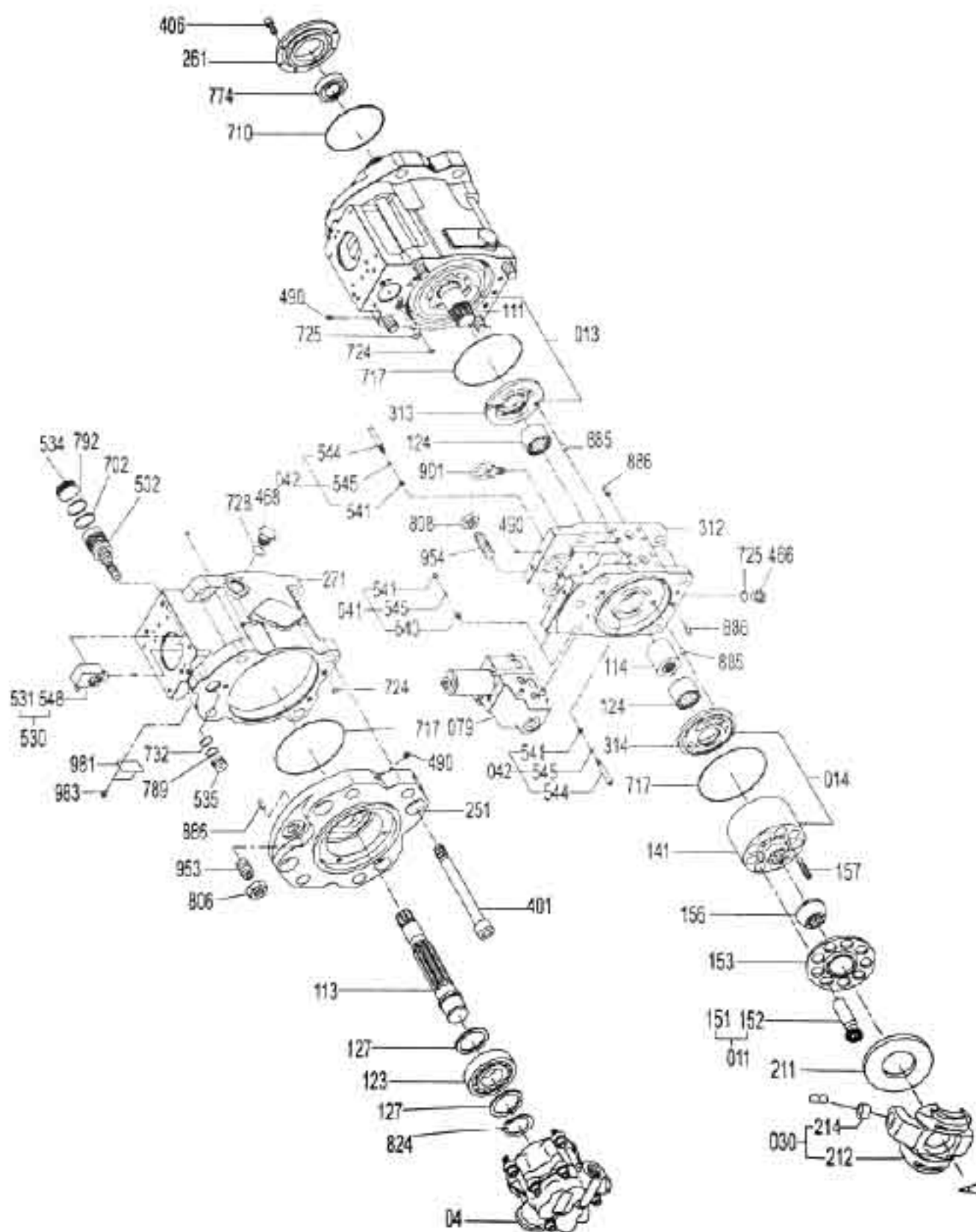
Regulator				
Index	Part Code	Description and Specification	Q`TY	Remarks
722		O - Ring	3	
724		O - Ring	9	
725		O - Ring	1	
728		O - Ring	1	
730		O - Ring	1	
732		O - Ring	1	
733		O - Ring	1	
734		O - Ring	1	
735		O - Ring	1	
753		O - Ring	1	
755		O - Ring	2	
756		O - Ring	1	
763		O - Ring	1	
801		RN - M8, Nut	1	JISB1181
802		M10, Nut	1	
814		SR - 10, Ring Snap	1	JISB1181
836		Ring Snap	1	
858		RR - 15, Ring Snap	2	JISB1181
874		? 4 X 11.7L, Pin	1	
875		? 4X8L, Pin	2	
876		? 5X8L, Pin	2	
887		Pin	1	
897		? 5X19L, Pin	1	
898		? 10 X 10L, Pin	1	
924		Screw Set	1	



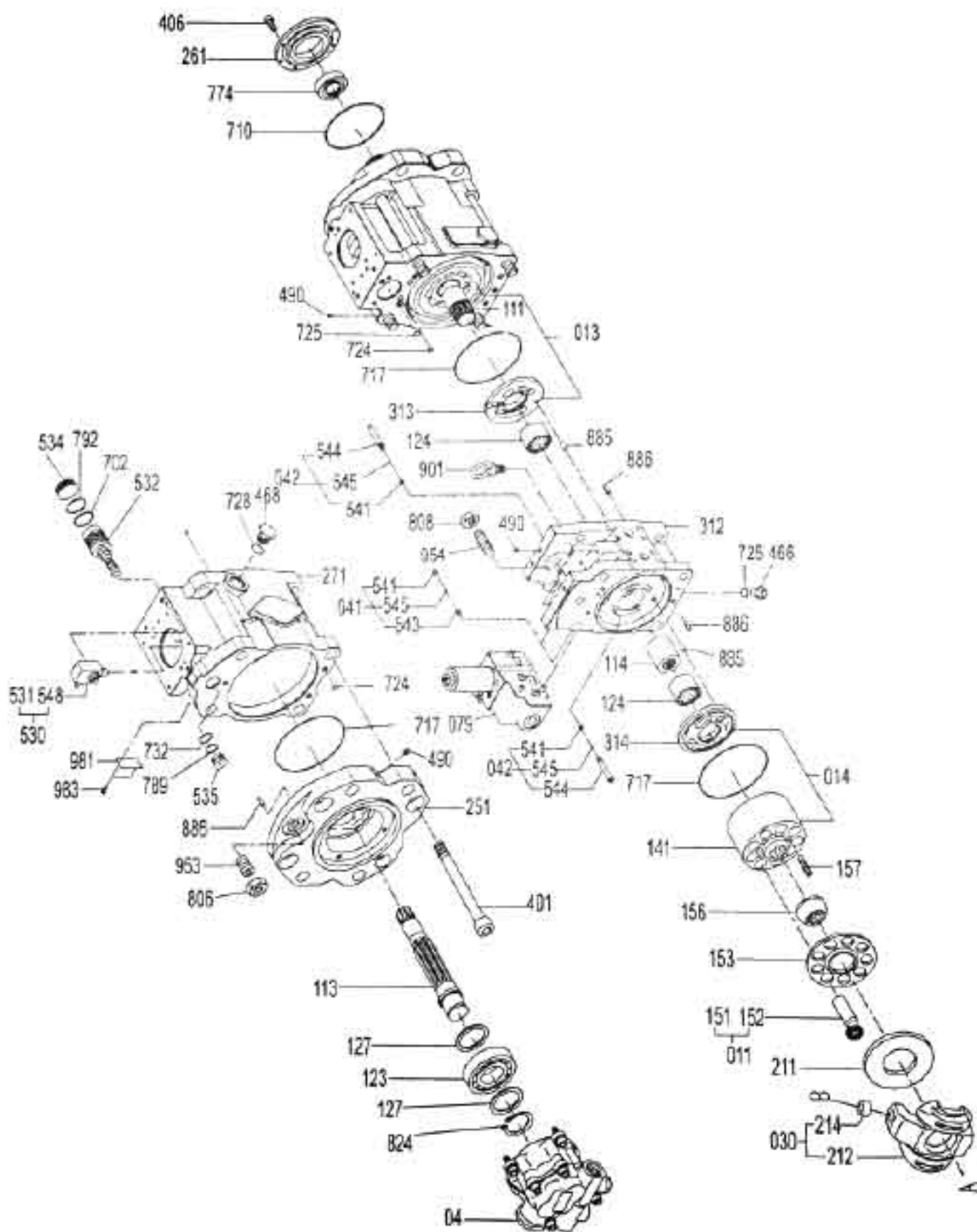
Gear Pump				
Index	Part Code	Description and Specification	Q`TY	Remarks
307		Poppet	1	
308		Seat	1	
309		Ring	1	
310		Spring	1	
311		Screw Adjusting	1	
312		Nut Lock	1	
351		Case Gear	1	
353		Gear Drive	1	
354		Gear Driven	1	
355		Filer	1	
361		Case Font	1	
433		Socket Flange	2	
434		Socket Flange	2	
435		Socket Flange	4	
466		G 1/4, Plug	1	
700		Ring	1	
710		P11, O - Ring	1	
725		P16, O - Ring	1	JISB2401
732		RR - 18, O - Ring	1	JISB2401
850		? L19, Ring Snap	1	JISB2804
887		Pin	2	



Pressure Reducing				
Index	Part Code	Description and Specification	Q`TY	Remarks
79		Pressure Valve	1	
80		Ass`y Casing	1	
311		Spool	1	
312		Sleeve	1	
324		Spring	1	
325		C - Ring	1	
(325)		Casing Valve	1	
331		Spring Seat	1	
351		Orifice	1	
361		O - Ring	1	
362		O - Ring	1	
363		O - Ring	1	
407		M6, Screw Hex. S.H.C	3	
466		Bolt	1	
490		Plug	3	
725		O - Ring	4	
732		O - Ring	1	
801		Solenoid	1	
901		Name Plate	1	

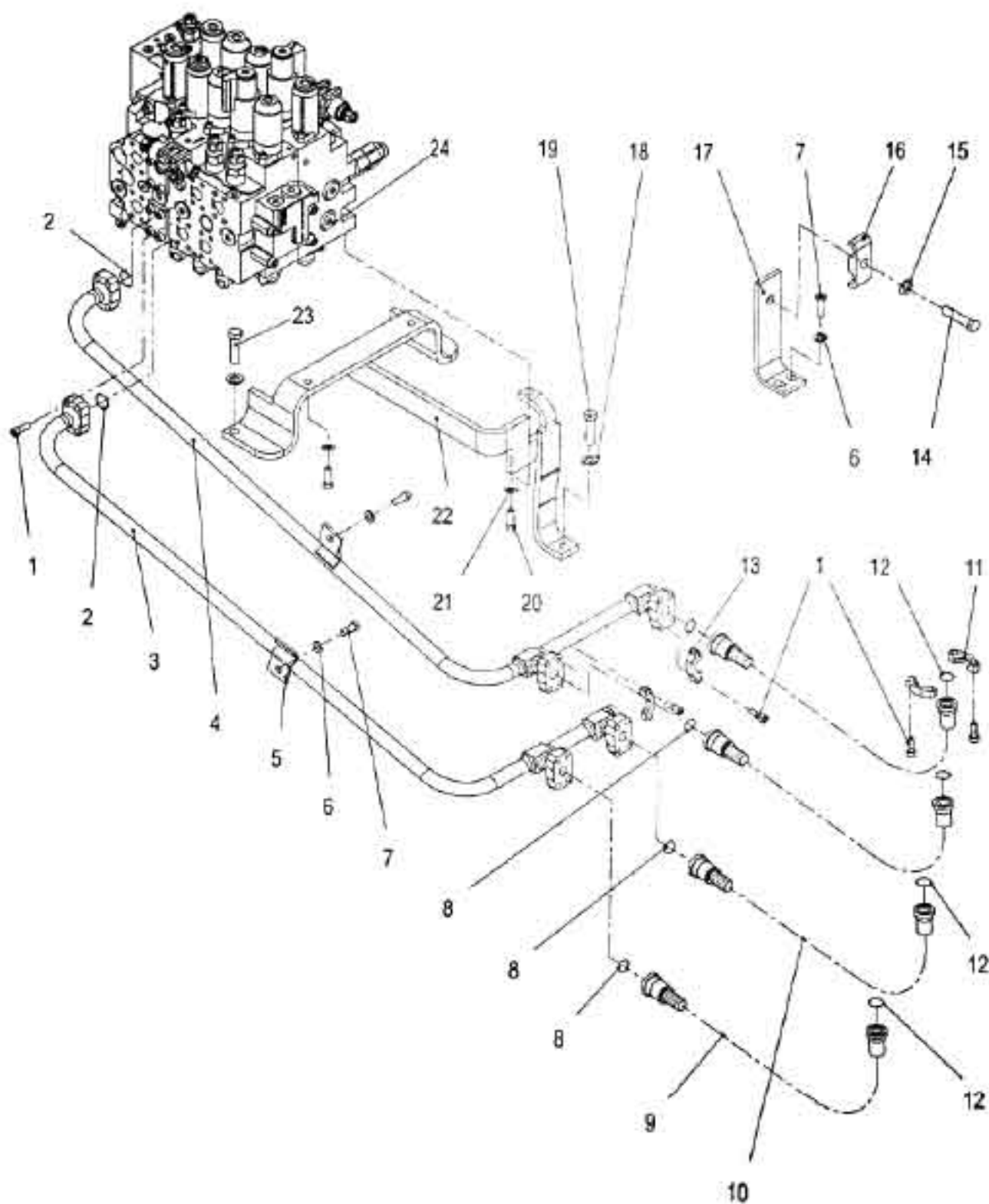


Main Pump				
Index	Part Code	Description and Specification	Q`TY	Remarks
A		Main Pump	1	
4		Pump	1	ZX10LGRZ1-07A-V
11		Ass`y Piston	2	151(9PC) 152(9PC)
13		R, Ass`y Cylinder R	1	141(1PC) 313(1PC)
14		L, Ass`y Cylinder L	1	141(1PC) 313(1PC)
30		Ass`y Swash Plate	2	212(1PC) 212(1PC)
41		Ass`y Check Valve 1	2	541(1PC) 543(1PC)
42		Ass`y CheckValve 2	2	54(1PC) 544(1PC)
80		Reducing Valve	1	KDRDE5KR-V4V
111		F, Shaft F Drive	1	
113		R, Shaft R Drive	1	
114		Coupling Spline	1	
123		Bearing Roller	2	
124		Bearing Needle	2	
127		Spacer Bearing	4	
141		Block Cylinder	2	
151		Piston	18	
152		Shoe	18	
153		Plate Set	2	
156		Bush Spherical	2	
157		Spring Cylinder	18	
211		Plate Shoe	2	
212		Plate Swash	2	
214		Bush Tilting	2	
251		Support S P	2	
261		F, Cover F Seal	1	
271		Casing Pump	2	
312		Block Valve	1	
313		R, Plate R Valve	1	
314		L, Plate L Valve	1	
401		M20 - 210L, Screw S H C	8	
406		M8 - 20, Screw S H C	4	JIS B 1176
466		G 1/4, Plug	2	

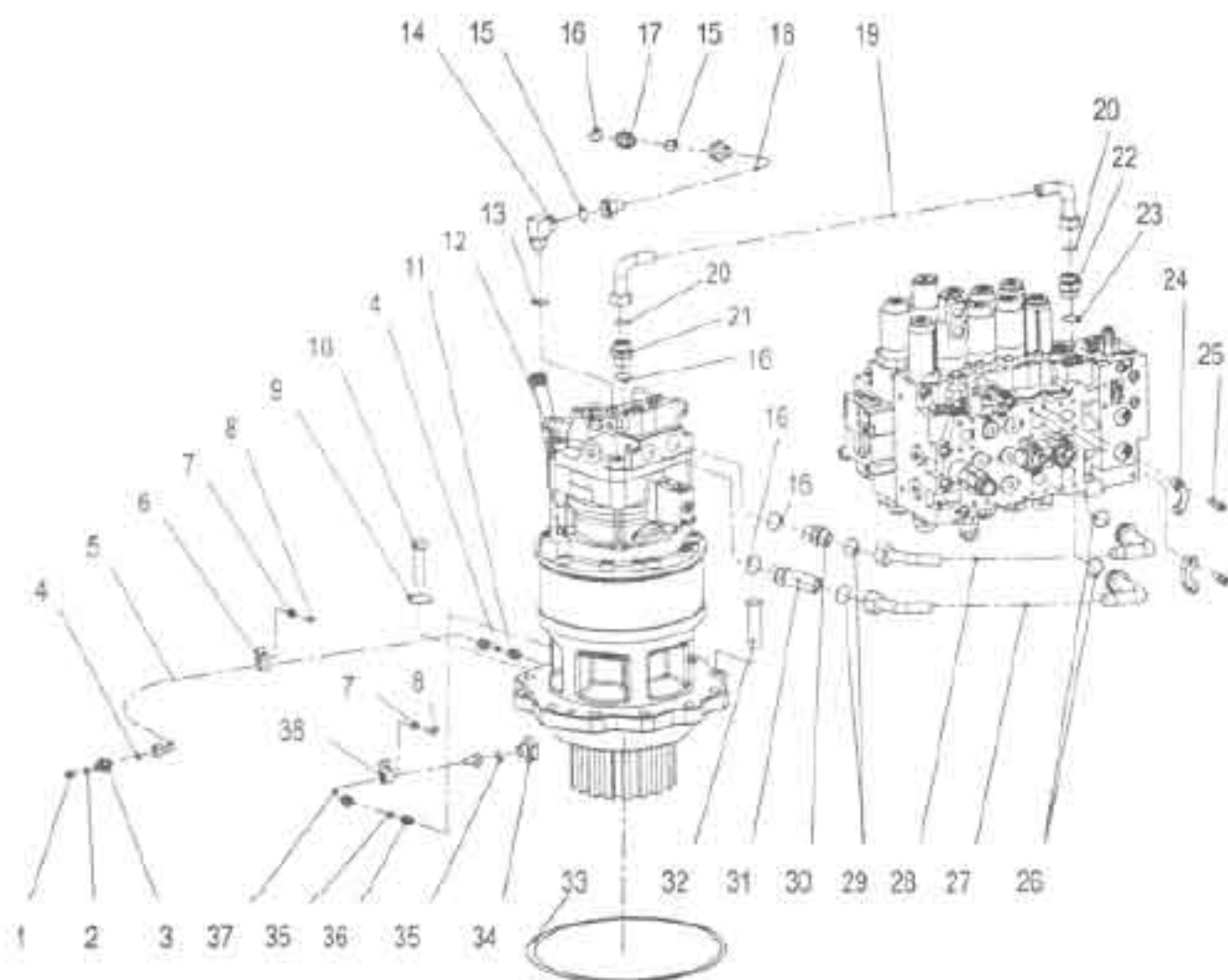


Main Pump				
Index	Part Code	Description and Specification	Q`TY	Remarks
468		Plug	4	
490		Plug	18	
530		Ass`y Tilting Ping	2	
531		Pin Tilting	2	
532		Piston Servo	2	
534		L, Stopper L	2	
535		Stopper S	2	
541		Seat	4	
543		1, Stopper 1	2	
544		2, Stopper 2	2	
545		Balt Steel	4	
548		Pin Feed Back	2	
702		O - Ring	2	
710		O - Ring	1	
717		O - Ring	4	
724		O - Ring	16	
725		O - Ring	4	
728		O - Ring	4	
732		O - Ring	2	
774		Seal Oil	1	
789		P18, Ring Back - Up	2	JISB2407
792		G35, Ring Back - Up	2	JISB2407
806		RN-M16, Nut	2	JISB1181
808		RN - M20, Nut	2	JISB1181
824		Ring Snap	2	
885		? 8 - 12L, Pin Valve Plate	2	
886		Pin Spring	4	JISB2808
901		EB -M10, Bolt Eye	2	JISB1168
953		Screw Set	2	
954		M20, Screw Set	2	
981		Plate Name	1	
982		Plate Name	1	
983		Pin	2	

MAIN OIL CIRCUIT

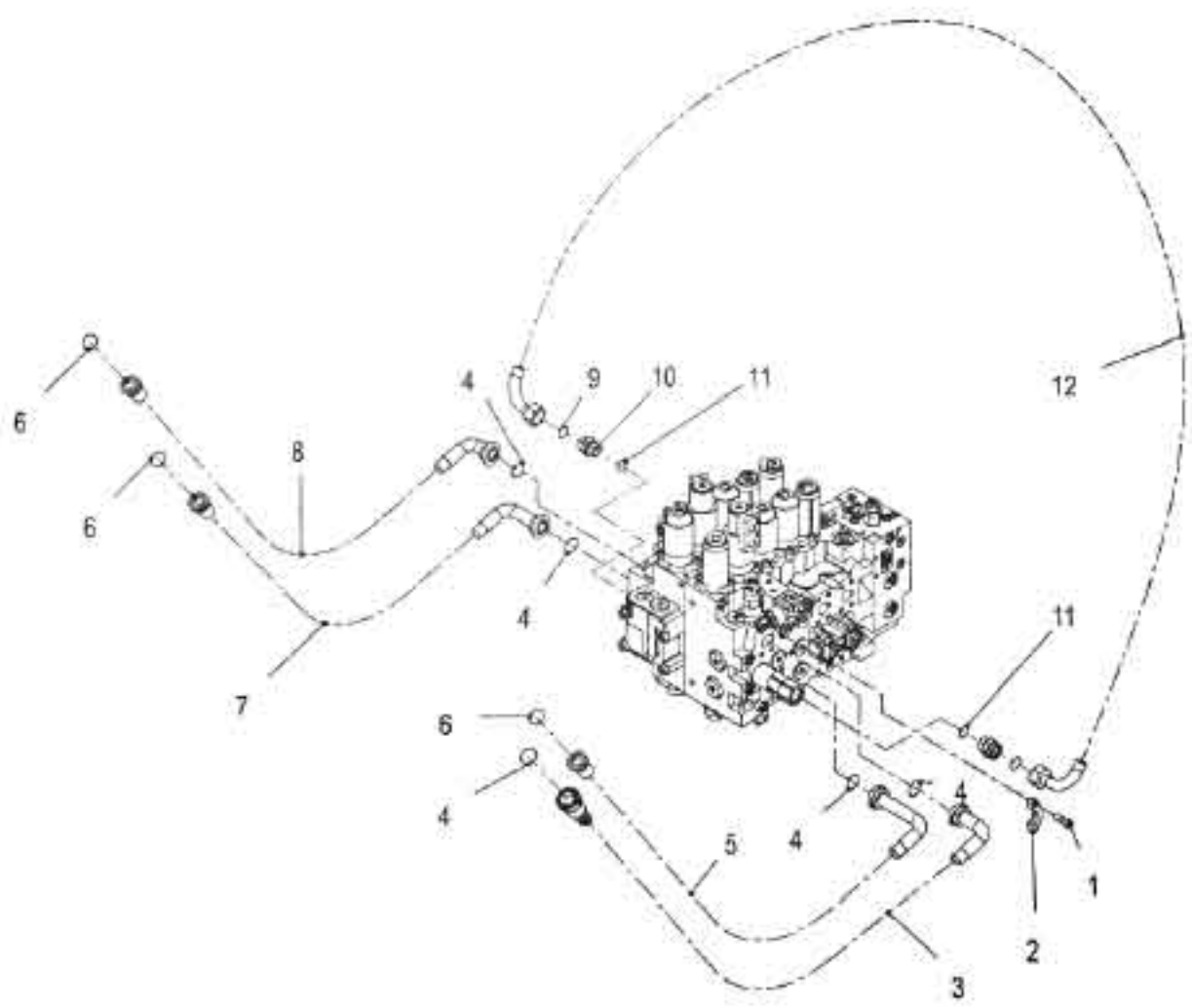


Main Oil Circuit				
Index	Part Code	Description and Specification	Q`TY	Remarks
1		M10 X 35 - 10.9, Bolt	40	GB/T70.1-2008
2		? 31.7 x 3.5, O - Ring	2	
3		Tube	1	
4		Tube	1	
5		Clip	2	
6		12 - 300HV, Washer	4	GB/T97.1-2002
7		M12 X 30 - 10.9, Bolt	4	GB/T5783-2000
8		? 32.92 X 3.53, O - Ring	4	
9		Hose	2	
10		Hose	2	
11		Flange	4	
12		? 24.99 X 3.53, O - Ring	4	
13		Flange	4	
14		M16 X 70 - 10.9, Bolt	1	GB/T5783-2000
15		16 - 300HV, Washer	1	GB/T97.1-2002
16		Clip	1	
17		Bracket	1	
18		16-35 - 45HRC, Washer	3	GB/T1230-2006
19		M16 X 40 - 10.9, Bolt	1	GB/T5783-2000
20		M12 X 35 - 10.9, Bolt	3	GB/T5783-2000
21		12 - 35 - 45HRC, Washer	3	GB/T1230-2006
22		Bracket	1	
23		M16 X 50 - 10.9, Bolt	2	GB/T5783-2000
24		Main Valve	1	

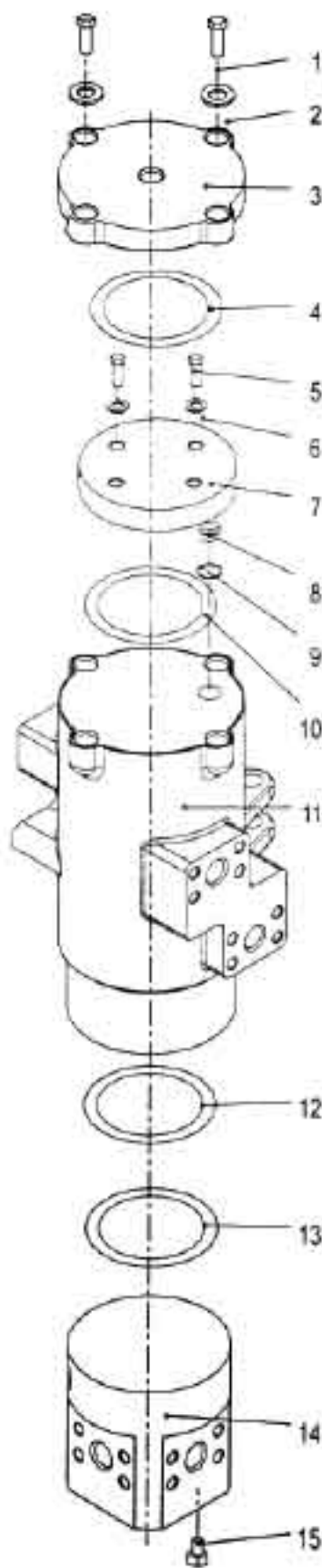


Main Oil Circuit				
Index	Part Code	Description and Specification	Q' TY	Remarks
1		R1/8 - 1, Fitting	1	GB/T25618.1-2010
2		? 11.3 X 2.4, O - Ring	1	
3		M14 - M14, Niple	1	
4		? 6.5 x 1.5, O - Ring	2	
5		Hose	1	
6		Clamp	1	
7		8 - 300HV, Washer	2	GB/T97.1-2002
8		M8 X 16 - 10.9, Bolt	2	GB/T32.1-1988
9		Washer	11	
10		M20 X 65 - 10.9, Bolt	11	GB/T5783-2000
11		M14 - R1/4, Nipple	1	
12		Swing Motor	1	
13		? 13.8 X 2.4, O - Ring	1	
14		M22 - G3/8, Nipple	1	
15		? 15 X 2, O - Ring	2	
16		? 23.7 X 3.5, O - Ring	4	
17		M26 - 3/4 Nipple	1	
18		Hose	1	
19		Hose	1	
20		? 20 X 2, O - Ring	2	
21		M30 - G3/4, Nipple	1	
22		M30 - G1, Nipple	1	
23		? 28.7 x 3.5, O - Ring	1	
24		Flange	2	
25		M10 X 30 - 10.9, Bolt	8	GB/T70.1-2008
26		? 32.92 X 3.53, O - Ring	2	
27		Hose	1	
28		Hose	1	
29		? 31.7 x 3.5, O - Ring	2	
30		M30 - G3/4, Nipple	1	
31		M30 - G3/4, Nipple	1	
32		Pin	1	
33		? 284 X 6, O - Ring	1	
34		M16, Bolt	1	
35		? 8 X 15, O - Ring	2	
36		M16 - R1/2, Nipple	1	
37		Hose	1	
38		Clamp	1	

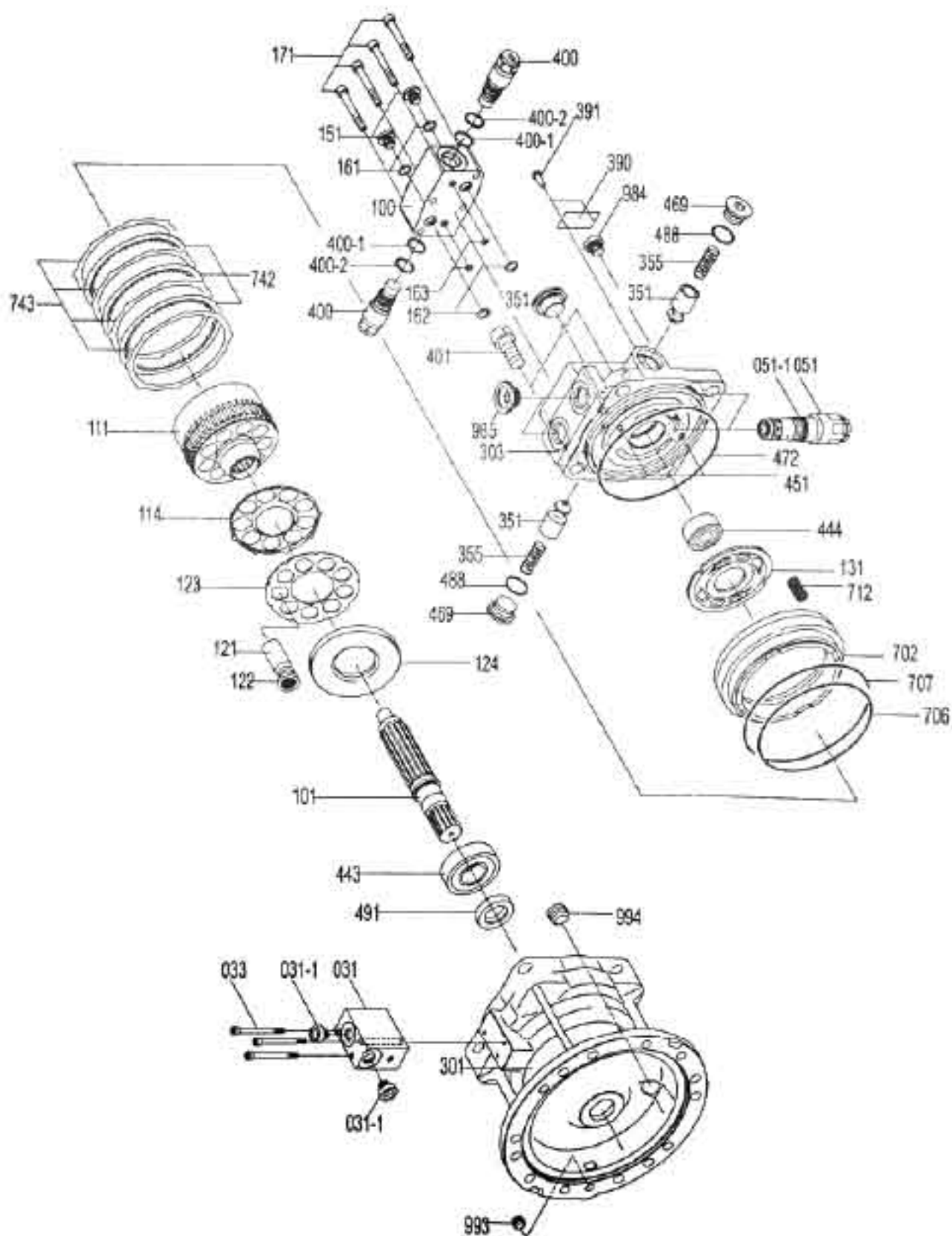
Main Oil Circuit				
Index	Part Code	Description and Specification	Q`TY	Remarks
1		M10 X 30 - 10.9, Bolt	32	GB/T70.1-2008
2		Flange	4	
3		M12 X 25 - 10.9, Bolt	4	GB/T5783-2000
4		12 - 300HV, Washer	4	GB/T97.1-2002
5		Swivel Joint	1	
6		? 24.99 X 3.53, O - Ring	4	
7		Hose	1	
8		? 21.7 X 3.5, O - Ring	1	
9		M24 - M26, Nipple	1	
10		? 8 X 15, O - Ring	2	
11		Hose	1	
12		? 23.7 X 3.5, O - Ring	1	
13		M26 - G3/4, Nipple	1	
14		Flange	4	
15		? 8 X 15, O - Ring	4	
16		Hose	1	
17		Hose	1	
18		4 X 26, Pin	2	GB/T91-2000
19		Link	1	
20		16 - 35 - 45HRC, Washer	2	GB/T848-2002
21		B16 X 65, Pin	1	GB/T882-2008
22		Hose	1	



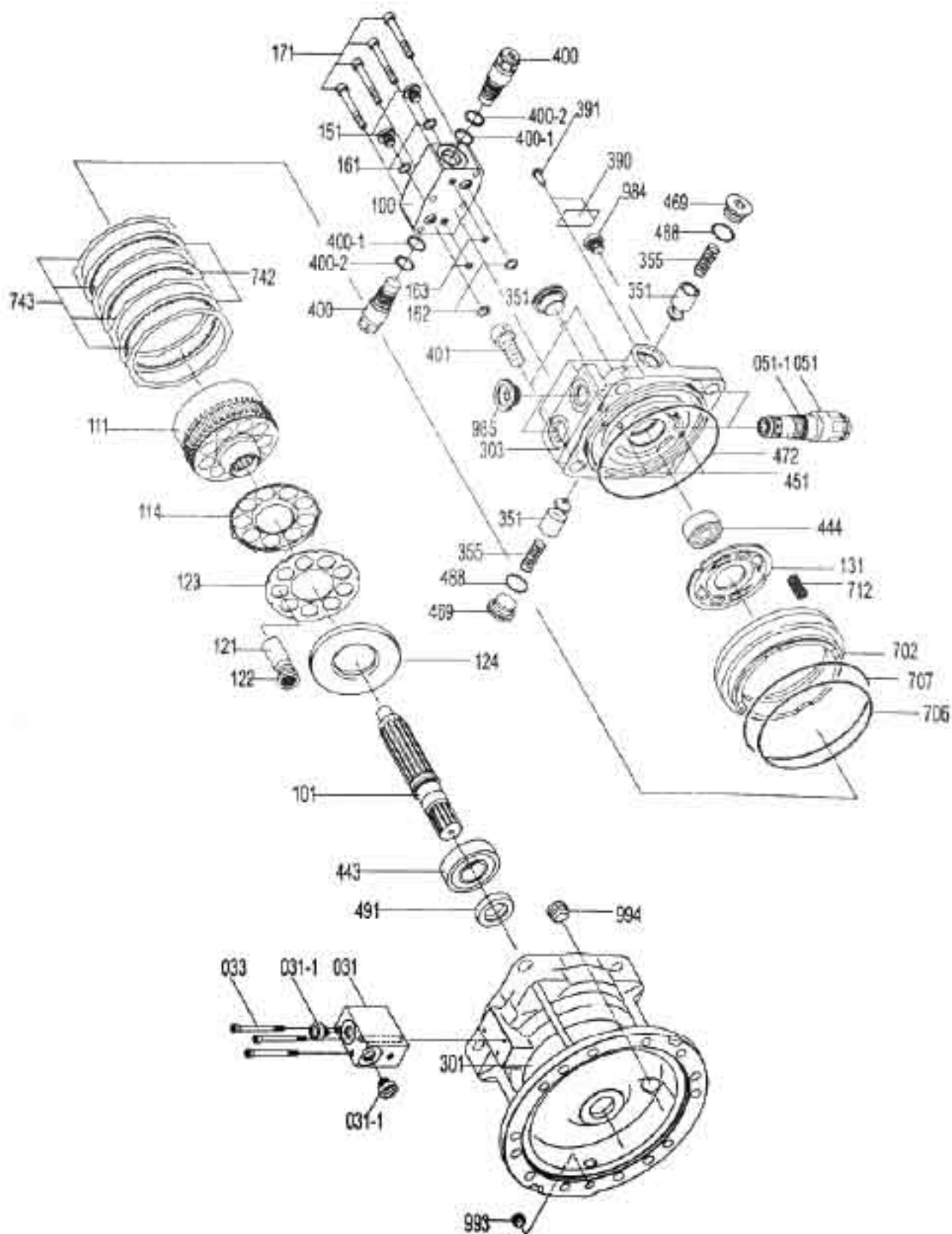
Turning Joint				
Index	Part Code	Description and Specification	Q`TY	Remarks
1		M10 X 30 - 10.9, Bolt	16	GB/T70.1-2008
2		Flange	4	
3		Hose	1	
4		?32.92 X 3.53, O-Ring	5	
5		Hose	1	
6		?24.99 X 3.53, O-Ring	3	
7		Hose	1	
8		Hose	1	
9		?16.3 X 2.4, O-Ring	2	
10		M30 - G3/4, Nipple	2	
11		?23.7 X 3.5, O-Ring	2	
12		Hose	1	



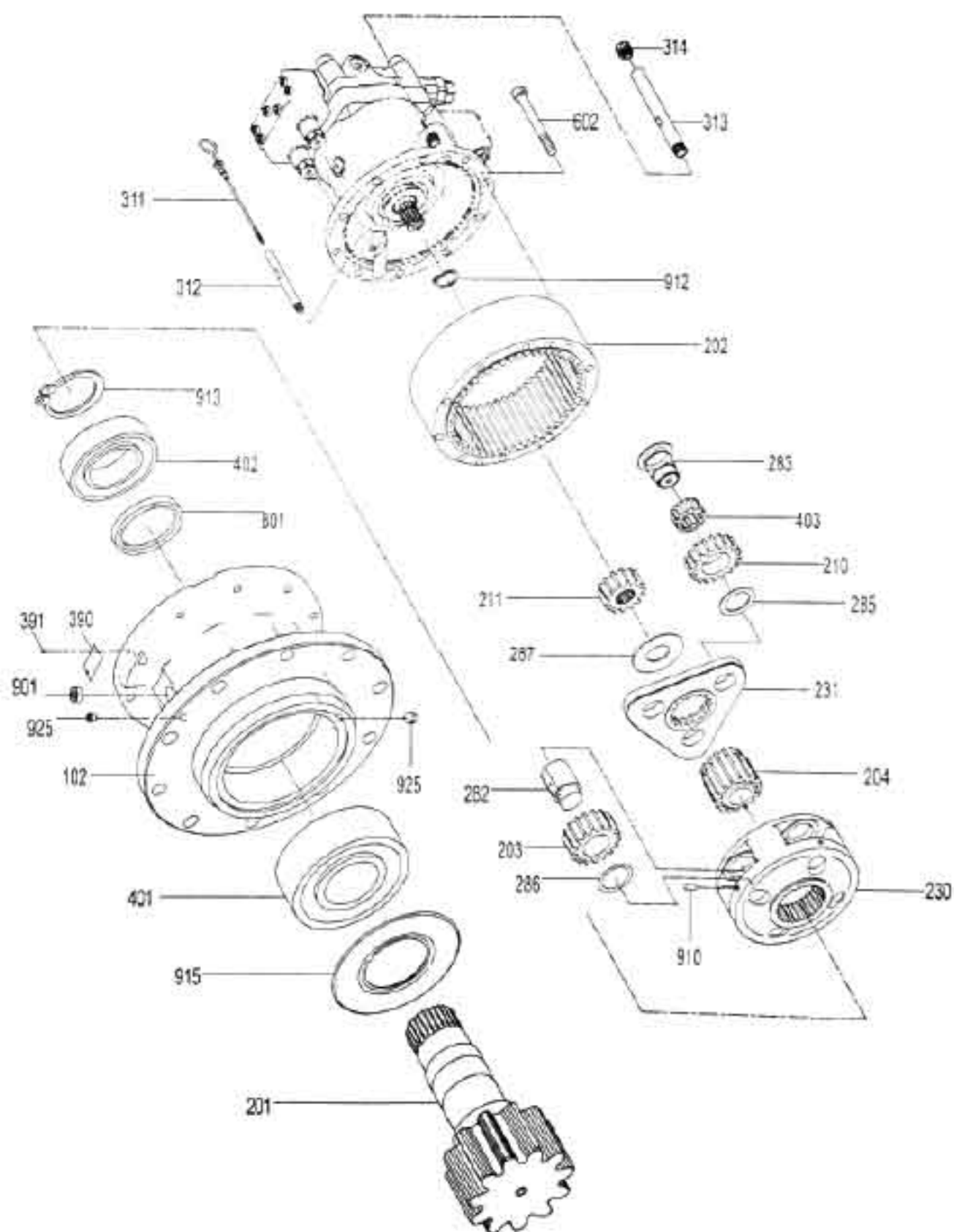
Turning Joint				
Index	Part Code	Description and Specification	Q`TY	Remarks
1		M8 X 35, Shim	4	
2		8, O - Ring	1	
3		Plate	1	
4		Bolt	4	
5		M8 X 30, Washer - Spring	4	
6		8, O - Ring	4	
7		Plug	4	
8		Turning Body	1	
9		Sealing	6	
10		Ring - Retaining	1	
11		Oil Sealing	1	
12		Turning Shaft	1	
13		Ring - Retaining	1	
14		Stifleder	4	
15		Bolt	4	



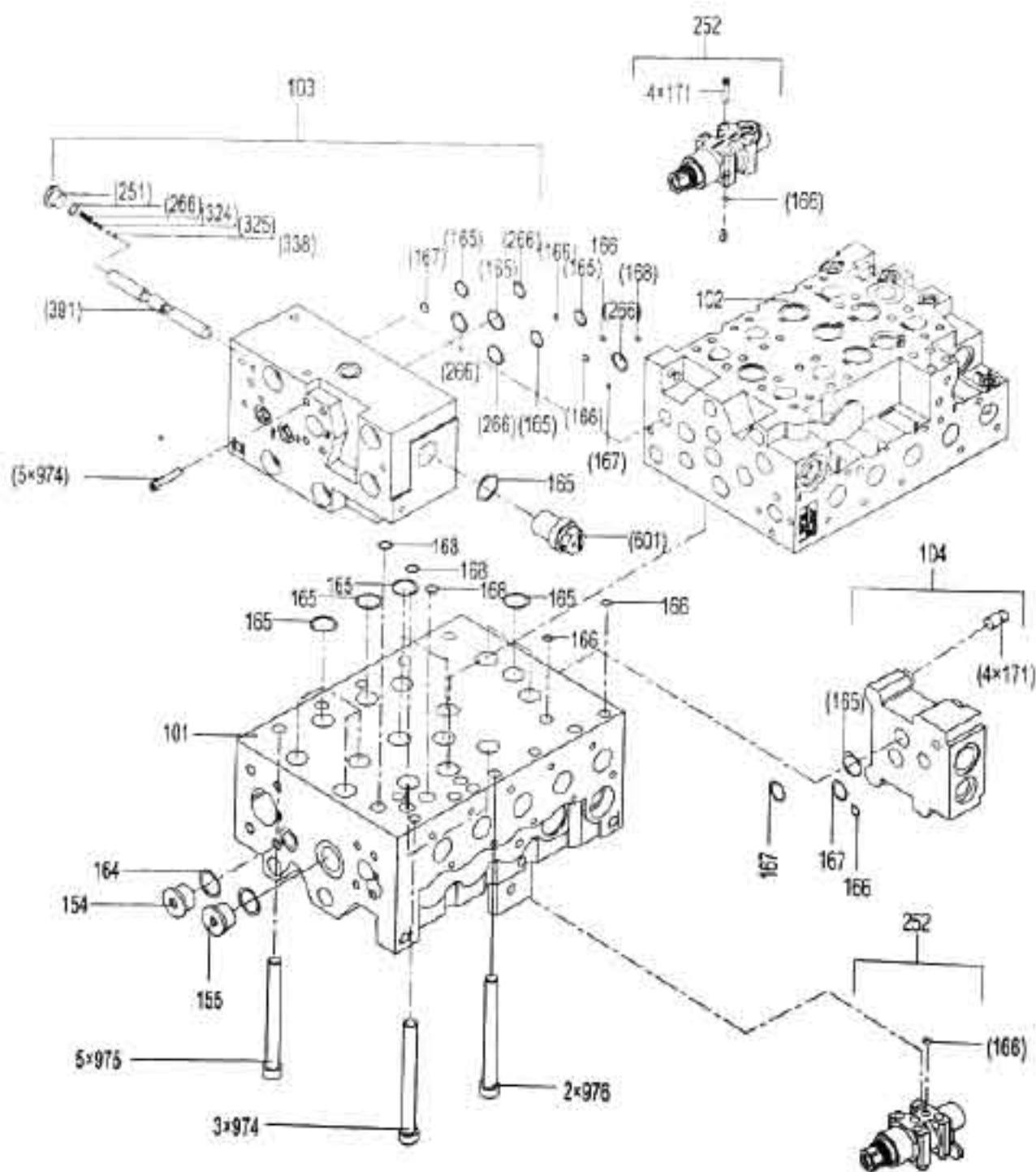
Swing Motor				
Index	Part Code	Description and Specification	Q`TY	Remarks
10		Ass`y Piston	1	
20		Ass`y Valve casing Ho	1	
101		Shaft 12 drive	1	
111		Cylinder	1	
114		Spring Plate	1	
121		Piston	9	
122		Shoe	9	
123		Plate Set	1	
124		Plate Shoe	1	
131		Plate B Valve	1	
301		Casing H2	1	
303		Casing Ho Valve	1	
351		Plunger H2	2	
355		Spring H2	2	
390		Plate name	1	
391		Pin	2	
395		Plate Name	(1)	
396		Pin	(2)	
401		Screw Hex.S. H. C	4	
443		Bearning roller	1	
444		Bearning roller	1	
451		Pin	2	
469		Plug	2	
472		O-Ring	1	
488		O-Ring	2	
491		Seal Oil	1	



Swing Motor				
Index	Part Code	Description and Specification	Q`TY	Remarks
702		Piston Brake	1	
706		O-Ring	1	
707		O-Ring	1	
712		Spring Brake	24	
742		Plate Friction	3	
743		Plate Separator	4	
984		Plug Masking	1	
985		Plug Masking	3	
031		Valve, Time Delay	1	
031-1		Plug	2	
033		Screw Hex. S. H. C	3	
51		Valve, relief	2	
051-1		O-ring	2	
81		Ass'y Seal Kit	1	
52		Ass'y S.R.Valve	1	
100		Casing	1	
151		Plug	2	
161		O-ring	2	
162		O-ring	2	
163		O-ring	2	
171		Screw Hex. S. H. C	4	
400		Valve	2	
400-1		O-ring	2	
400-2		Ring Back Up	2	
993		Plug	1	
994		Plug	1	

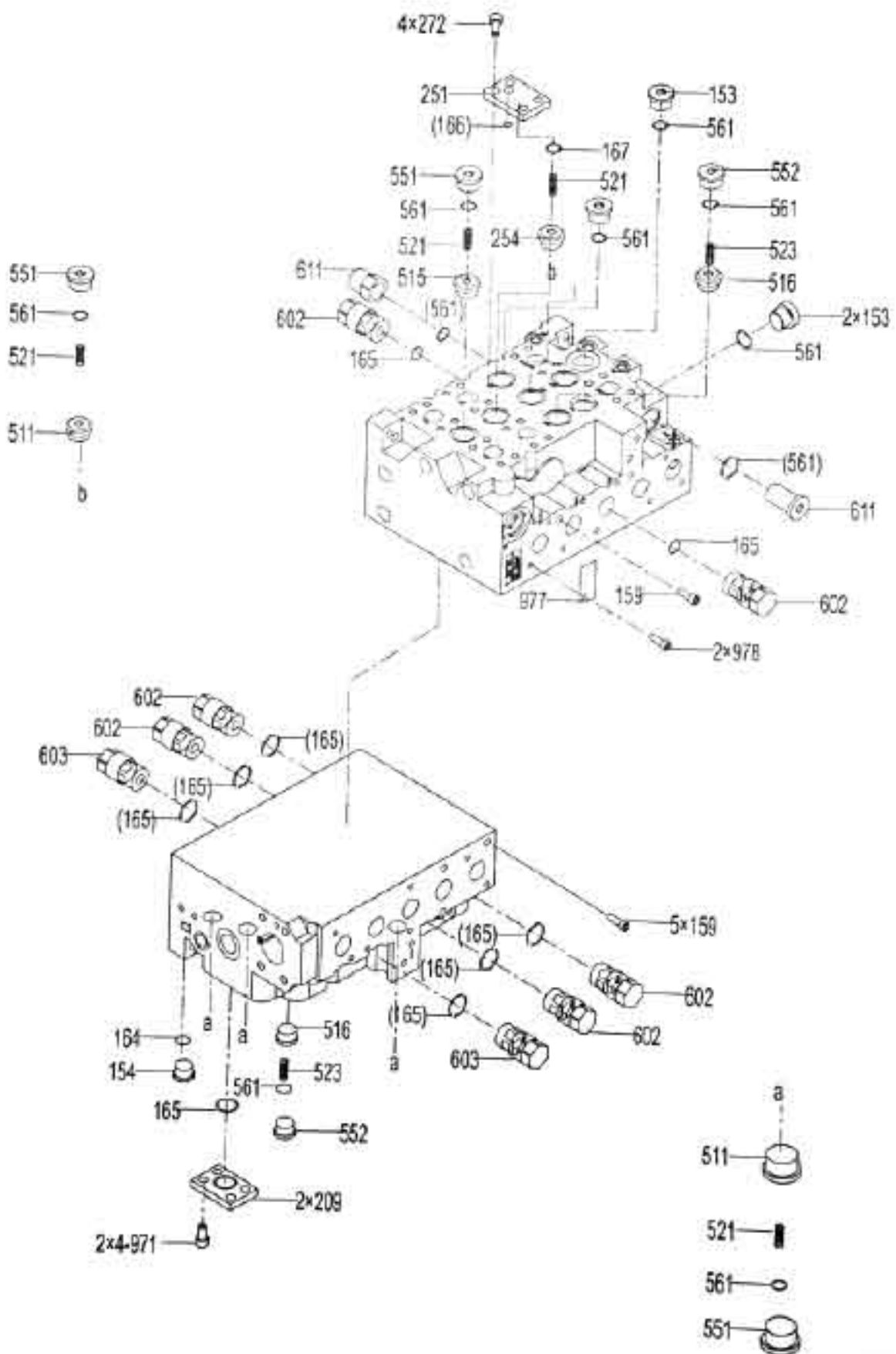


Swing Reducer				
Index	Part Code	Description and Specification	Q' TY	Remarks
30		Sub-Ass'No.1carrier	1	
40		Sub-Assy Bar Sa	1	
50		Sub-Assy Pipe	1	
102		Casing B	1	
201		Shaft A Drive	1	
202		A, Gear A Ring	1	
203		No2 A, Gear A No.2 Planet	4	
204		No2 A, Gear A No.2 Sun	1	
210		No1 A, Gear A No.1 Planet	3	
211		No1 A, Gear B No.1 Sun	1	
230		Carrier A No.2	1	
231		Carrier A No.1	1	
282		Pin A No.2	4	
283		Pin A No.1	3	
285		Plate C Thrust	3	
286		Whaser Thrust	4	
287		Plate B Thrust	1	
311		Bar Sa Level	1	
312		Pipe Sa	1	
313		Pipe	1	
314		Cap	1	
390		Plate Name	1	
391		Pin	2	
401		Brg.Spherical Roller	1	
402		Brg.Spherical Roller	1	
403		Cage Needle	3	
602		Screw Hex.S.H.C	14	
801		Seal Oil	1	
901		Plug	1	
910		Pin Spring	4	
912		Ring Snap	1	
913		Ring Snap	1	
915		Seal Bearing	1	
925		Fitting Relief	1	
926		Nipple Grease	1	



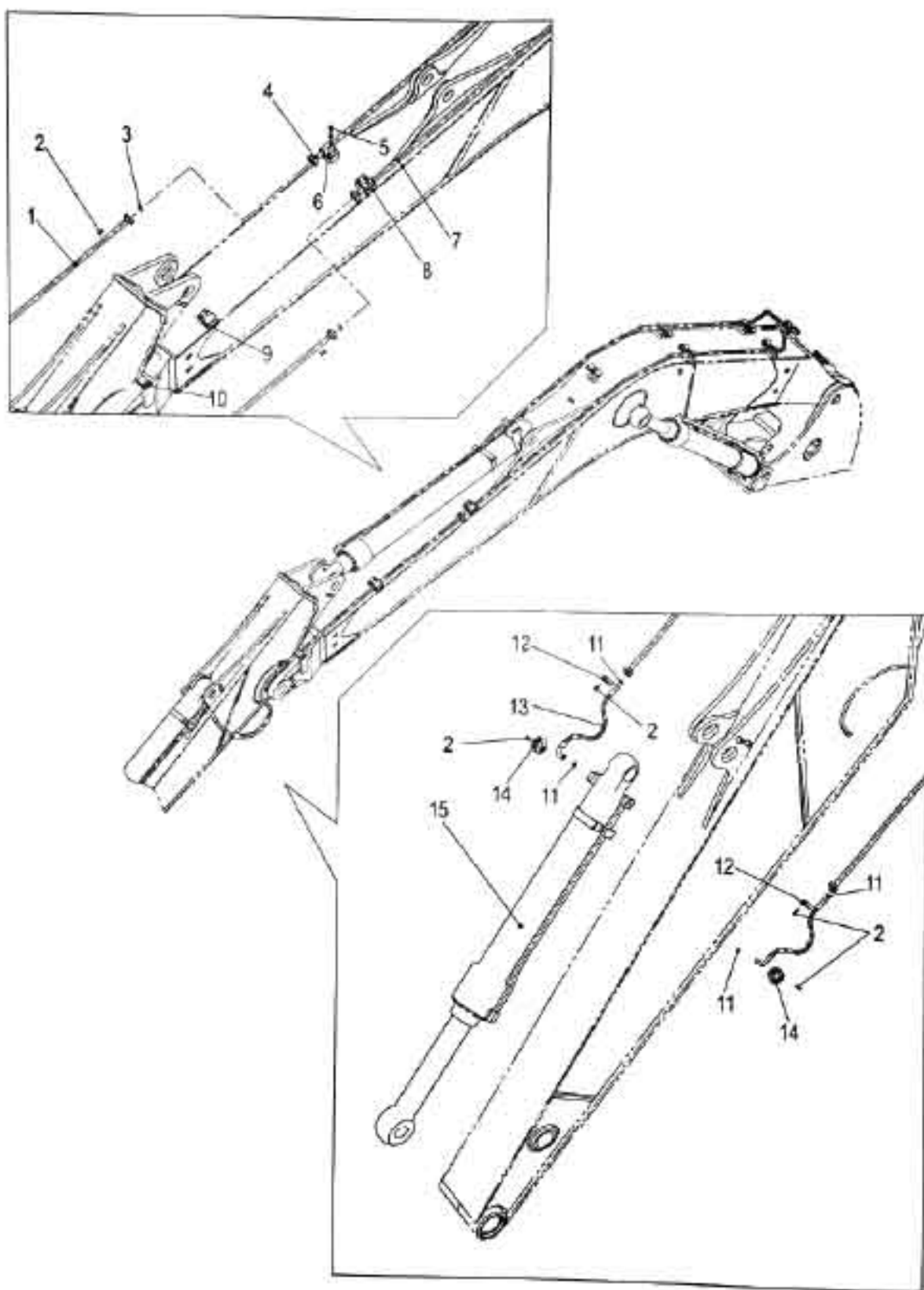
Multi Control Valve				
Index	Part Code	Description and Specification	Q`TY	Remarks
101		A, Casing A	1	
102		B, Casing B	1	
103		Straight-Travelvalve	1	
103		Straight-Travelvalve	1	
104		Boom Priority Valve	1	
153		Roh Plug	2	
154		Roh Plug	5	
155		Roh Plug	1	
158		Plug	1	
159		Plug	8	
164		O-Ring	5	
165		O-Ring	17	
166		O-Ring	6	
167		O-Ring	3	
168		O-Ring	3	
169		O-Ring	4	
201		Cover.Spring	4	
202		Cover.Spring	4	
203		Cover.Spring	4	
204		Cover.Spring	6	
206		Cover.arm	2	
209		Flange	2	
251		Logiccontrol Valve	1	
252		Ass'y.Lock Valve	2	
254		Swing Logic Valve	1	
261		O-Ring	6	
262		O-Ring	4	
264		O-Ring	6	
273		Screw.Hex.S.H.C	40	
301		Spool.Travel	1	
302		(1) , Ass'y.Arm(1) Spool	1	
303		(1) , Spool.Boom(1)	1	
304		Spool.Blcket	1	
305		Spool.Swing	1	
306		(2) , Spool.Arm(2)	1	

Multi Control Valve				
Index	Part Code	Description and Specification	Q`TY	Remarks
307		(2) , Spool.Boom(2)	1	
309		Spool Option	1	
310		Spool Travel	1	
324		Spring	1	
325		Spring	1	
326		Spring	1	
327		Spring	1	
328		Spring	3	
329		Spring	3	
331		Seat.Spring	8	
332		Seat.Spring	12	
333		Bolt.Spacer	4	
334		Stopper	3	
335		Stopper	5	
336		Bolt.Spacer	6	
337		Stopper	1	
338		Stopper	1	
339		Stopper	1	
355		Piston	1	
356		Piston	1	
370		Spring	2	
371		Spring	4	
372		Spring	2	
373		Spring	2	
375		Spring	2	
391		Straight Travel Spool	1	
392		Spool Bypass-Cut	1	
511		Poppet	8	
513		Poppet	1	
515		Poppet	1	
516		Poppet	2	

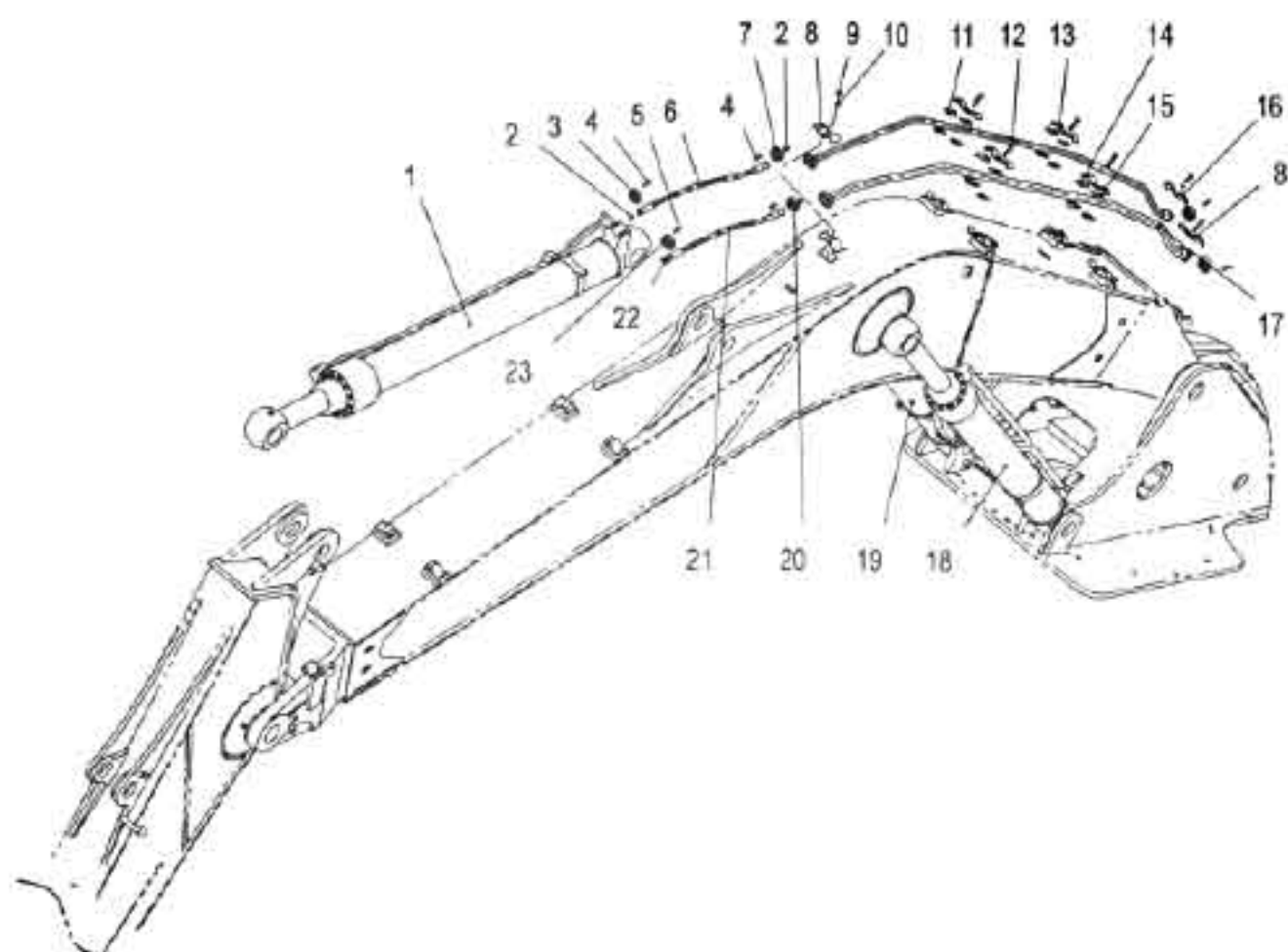


Multi Control Valve				
Index	Part Code	Description and Specification	Q`TY	Remarks
521		Spring	9	
522		Spring	1	
523		Spring	2	
551		Romh Plug	13	
552		Plug	2	
554		Plug	1	
555		Ass'y Check Valve	1	
561		O-ring	18	
601		Ass'y Main Retief	1	
602		Ass'y Port Rellet	6	
603		Ass'y Port Rellet	2	
611		Ass'y Nege-Con Rellet	2	
971		Screw.Hex.S.H.C	8	
974		Screw.Hex.S.H.C	3	
975		Screw.Hex.S.H.C	5	
976		Screw.Hex.S.H.C	2	
977		Name Plate	1	
978		Pin	2	

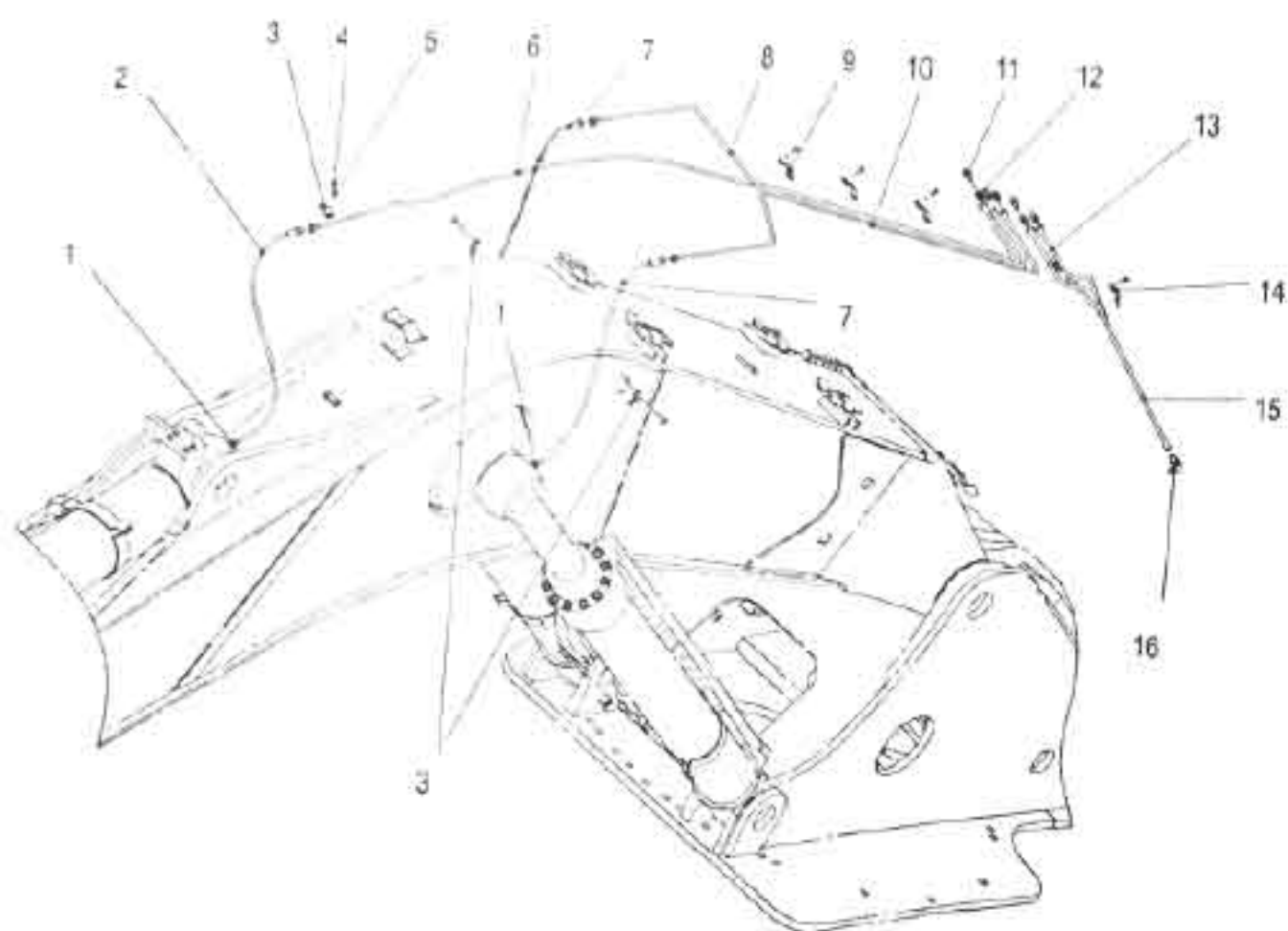
WORK EQUIPMENT PIPING



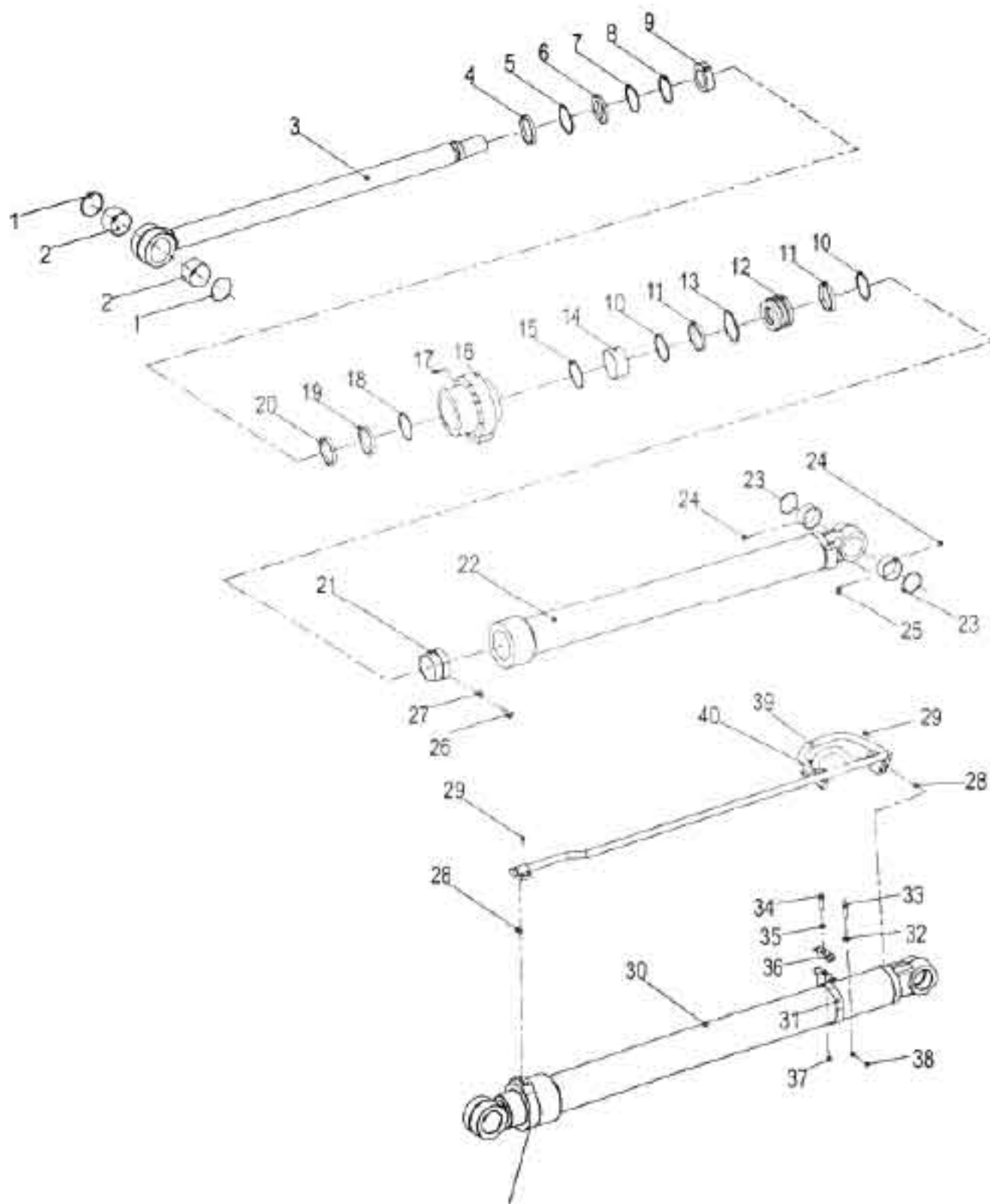
Work Equipment Piping				
Index	Part Code	Description and Specification	Q`TY	Remarks
1		Tube	2	
2		M10 X 35 - 10.9, Screw	24	GB/T70.1-2008
3		? 29.7 X 3.5, O-ring	2	
4		Tube	1	
5		M12 X 30 -10.9, Bolt	12	GB/T5783-2000
6		12 - 35 - 45HRC, Washer	12	GB/T1230-2006
7		Tube	1	
8		Clip	4	
9		II, Cushion II	8	
10		Clip	2	
11		? 24.99 X 3.53, O-ring	4	
12		Falange	2	
13		Hose	2	
14		Falange	2	
15		Bucket Cylinder	1	



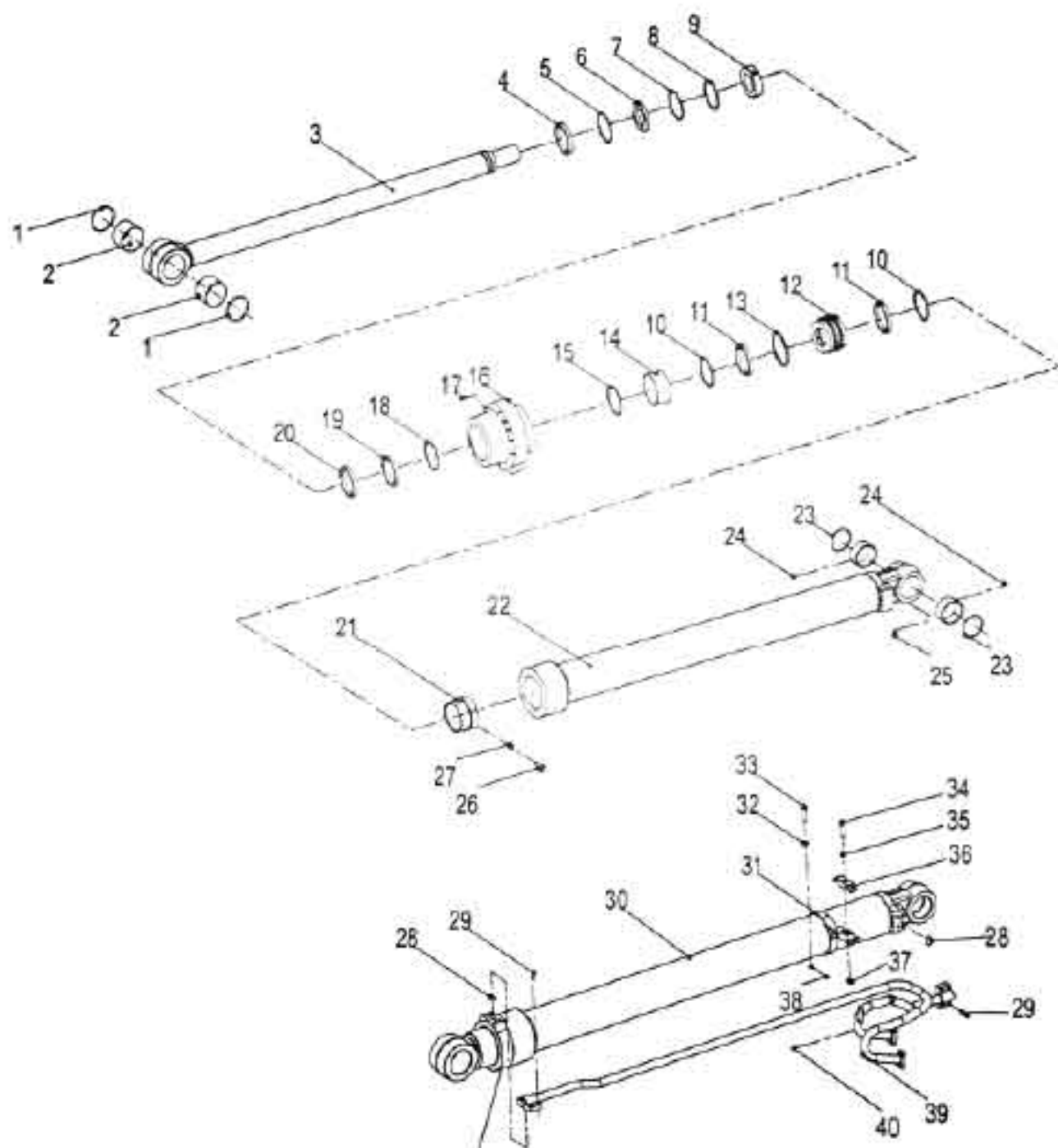
Work Equipment Piping				
Index	Part Code	Description and Specification	Q`TY	Remarks
1		Arm Cylinder	1	
2		? 24.99 x 3.53, O-Ring	5	
3		Flange	1	
4		M10 x 35-10,9, Screw	20	GB/T70.1-2008
5		M12 x 40 - 10,9, Screw	4	
6		Hose	1	
7		Flange	3	
8		Clip	2	
9		M12 x 30-10.9 Bolt	14	GB/T5783-2000
10		12 - 35 - 45HRC, Washer	14	GB/T1230-2006
11		II, Cushion II	12	
12		Tube	1	
13		Clip	2	
14		I, Cushion I	4	
15		Clip	2	
16		Clip	1	
17		Tube	1	
18		Boom Cylinder(L)	1	
19		Boom Cylinder(R)	1	
20		Fs-16 Falange	2	
21		Hose	1	
22		? 32.92 x 3,53 O-Ring	3	
23		F1 - 16 Flange	1	



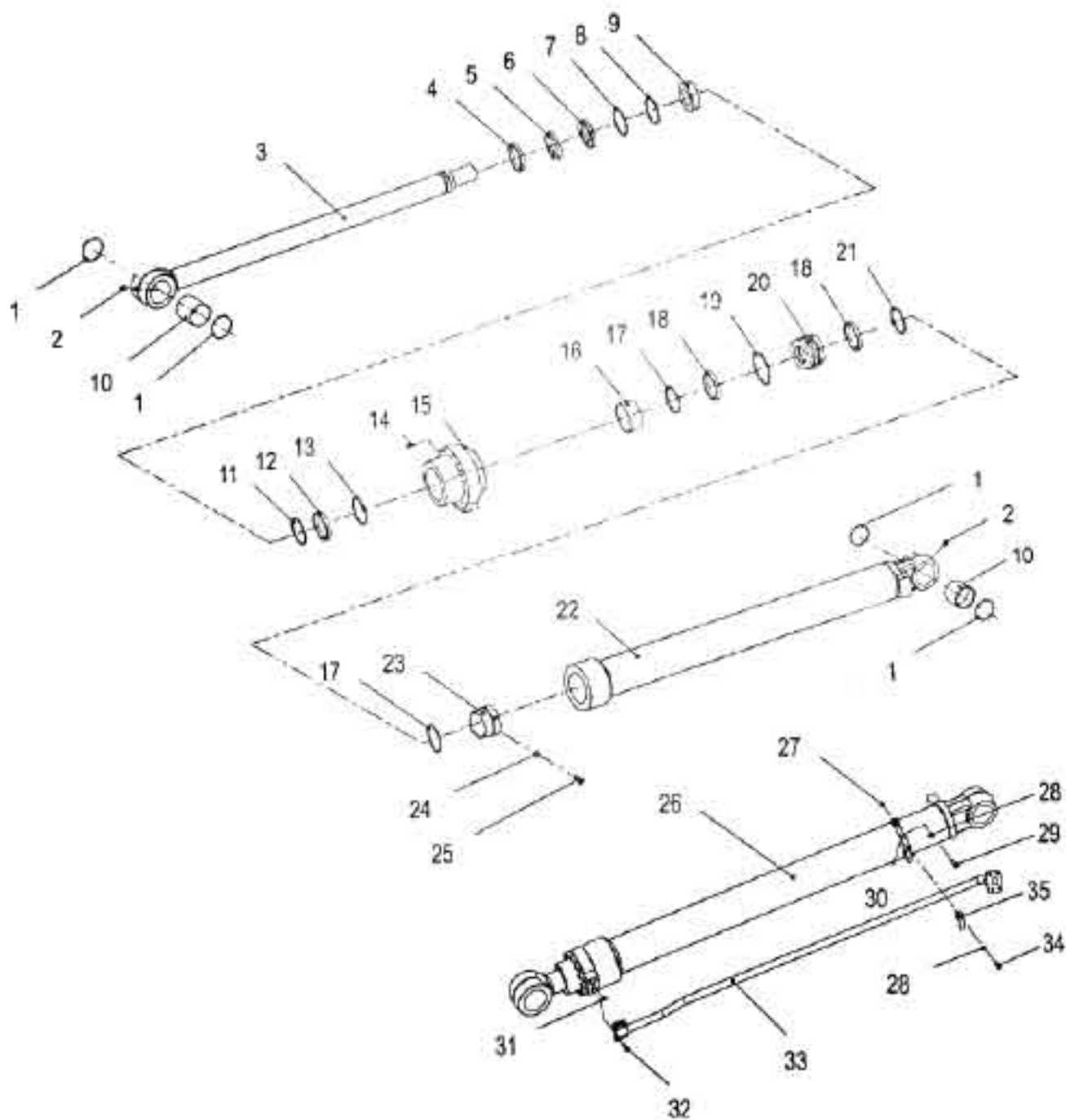
Work Equipment Piping				
Index	Part Code	Description and Specification	Q' TY	Remarks
1		M14-R1/4, Nipple	3	
2		Hose	1	
3		4, Clip	3	
4		M6x12-10.9, Bolt	14	GB/T5783-2000
5		6, Washer	14	
6		Lubricating Line	1	
7		Hose	2	
8		Lubricating Line	1	
9		5, Clip	3	
10		Lubricating Line	1	
11		R1/8-1, Fitting	5	
12		M14-R1/8, Nipple	5	
13		Lubricating Line	1	
14		6, Clip	1	
15		Lubricating Line	1	
16		M14-R1/8, Nipple	2	



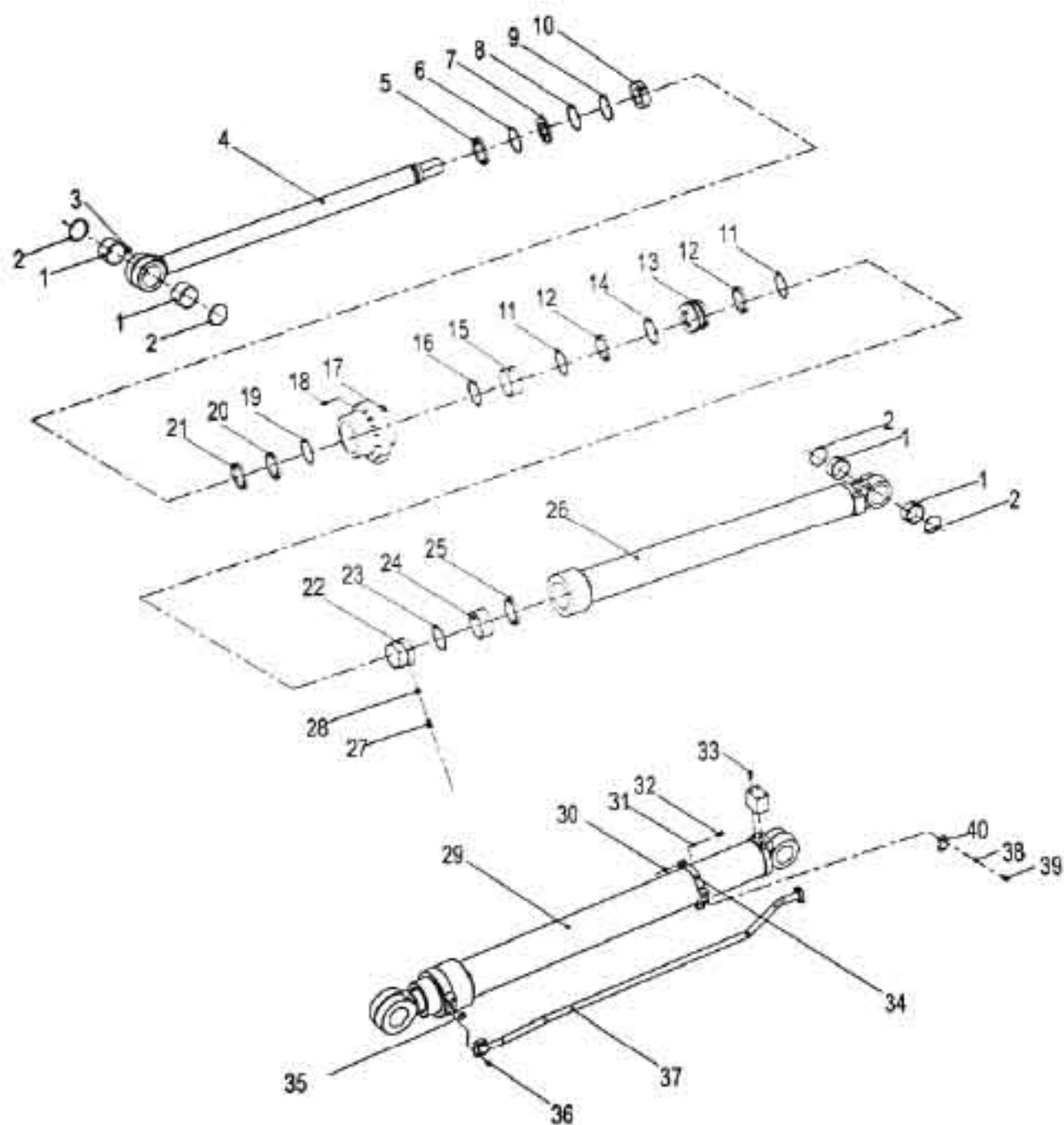
Boom Cylinder				
Index	Part Code	Description and Specification	Q`TY	Remarks
1		? 90 X ? 105 X 5, Ring - Dust	2	
2		? 90 X ? 105 X 40, B - Bushing	2	GB/T5783-2000
3		Piston - Perch	1	GB/T97.1-2002
4		? 85 X ? 99 X 8/11, Ring - Dust	1	
5		? 85 X ? 104 X 2, Ring - Snap	1	
6		? 85 X ? 100 X 3, Ring - Snap	1	
7		? 85 X ? 100 X 9, Sealing Strip	1	
8		? 85 X ? 100.5 X 6, Ring - Buffer	1	
9		Mb 8530, Bushing	1	GB/T25618.1-2010
10		? 120 X ? 112 X 8, Pollutant Ring	2	
11		? 120 X ? 115 X 9.7, Bushing	2	
12		? 120 X ? 63.5 X ? 68, Piston	1	
13		? 120 X ? 105 X 12, Seal - Piston	1	
14		D85a, Ring - Buffer	1	
15		D85 / ? 81, Releasing Ring	1	
16		Gland	1	
17		M16 X 75, Bolt - Hex	12	GB70.1-85
18		? 110.72 X 3.53, Ring - Snap	1	
19		? 120 X ? 114.5 X 1.5, Sealing Ring	1	
20		D85 / ?96 X 3.5, Ring - Snap	1	
21		M62 X 3, Bolt	1	
22		Cylinder	1	
23		? 80 X ? 95 X 5, Ring - Dust	2	
24		? 80 X ? 95 X 91, Bushing	2	
25		Ptl/8, Oil Cup	1	GB1152-89
26		M12 X 12, Bolt	1	GB/T80-85
27		? 8, Steel Ball	1	GB308-89
28		? 29.74 X 3.53, Sealing Ring	2	
29		M10 X 35, Bolt	8	GB70.1-85
30		Boom Cylinder(L)	1	
31		Band Assy	1	
32		? 10, Spring Cushion	2	GB93-87
33		M10 X 40, Bolt	2	GB5780-88
34		M14 X 85, Bolt	1	GB5780-88
35		? 14, Spring Cushion	1	GB98-87
36		Yb - 01, Plate	2	
37		M14, Nut	1	GB6170-88
38		M10, Nut - Hex	2	GB6170-88
39		Oil Pipe Assy B	1	
40		Oil Pipe Assy A	1	



Boom Cylinder				
Index	Part Code	Description and Specification	Q' TY	Remarks
1		? 90 x ? 105 x 5, Ring Dust	2	
2		? 90 x ? 105 x 40, B-Bushing	2	
3		Piston-Perch	1	
4		? 85 x ? 99 x 8/11, Ring-Dust	1	
5		D85 / ? 104 x 2, Ring-Snap	1	
6		? 85 x ? 100 x 3, Ring-Snap	1	
7		? 85 x ? 100 x 9, Sealing Strip	1	
8		? 85 x ? 100.5 x 6, Ring-Buffer	1	
9		Mb8530, Bushing	1	
10		? 120 x ? 12 x 8, Pollutant Ring	2	
11		? 120 x ? 115 x 9.7, Bushing	2	
12		? 120 x ? 63.5 x 68, Piston	1	
13		? 120 x ? 105 x 12, Seal-Piston	1	
14		D85a, Ring-Buffer	1	
15		D85 / ? 81, Releasing Ring	1	
16		Gland	1	
17		M16 x 75, Bolt-Hex	12	GB70.1-85
18		? 110.72 x 3.53, Ring-Snap	1	
19		? 120 x ? 114.5 x 1.5, Ealing Ring	1	
20		D85 / ? 96 x 3.5, Ring-Snap	1	
21		M62 x 3, Bolt	1	
22		Cylinder	1	
23		? 80 x ? 95 x 5, Ring-Dust	2	
24		? 80 x ? 95 x 91 Bushing	2	
25		Ptl/8, Oil Cup	1	GB1152-89
26		M 12 x 12, Bolt	1	GB/T80-85
27		8, Steel ball	1	GB308-89
28		? 29.74 x 3.53, Sealing Ring	2	
29		M10 x 35, Bolt	8	GB70.1-85
30		Boom Cylinder(R)	1	
31		Band Assy	1	
32		? 10, Spring Cushion	2	GB93-87
33		M10 x 40, Bolt	2	GB5780-88
34		M14 x 85, Bolt	1	GB5780-88
35		? 14, Spring Cushion	1	GB93-87
36		Yb-01, Plate	2	
37		M14. Nut	1	GB6170-88
38		M10, Nut-Hex	2	GB6170-88
39		B, Oil Pipe	1	
40		A, Oil Pipe	1	

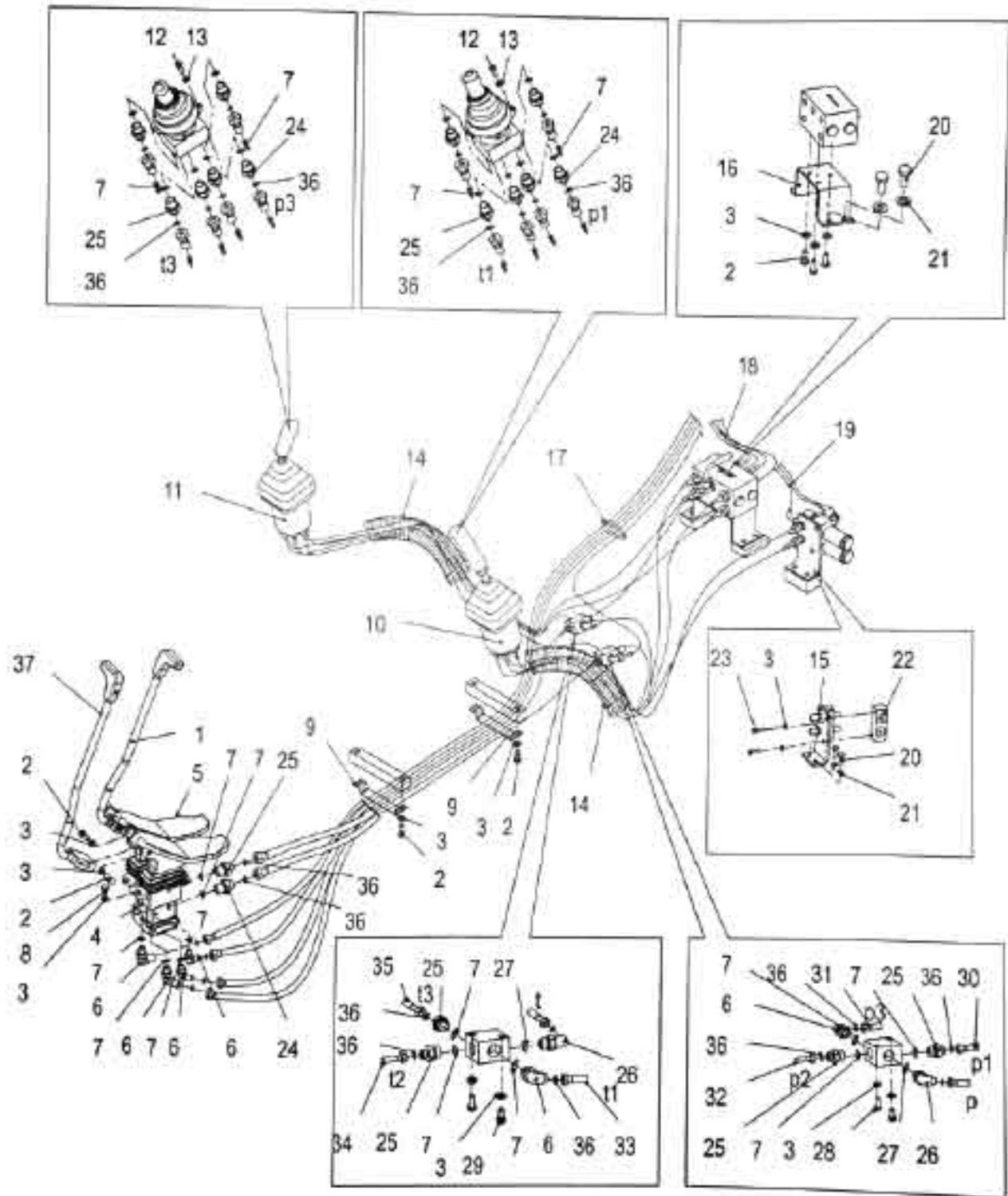


Bucket Cylinder				
Index	Part Code	Description and Specification	Q' TY	Remarks
1		? 80 x ? 95 x 5, Ring Dust	4	
2		Ptl/8, Oil Cup	2	GB1152-89
3		Piston-Perch	1	
4		? 85 x ? 99 x 8/11, Ring-Dust	1	
5		D85 / ? 104 x 2, Ring-Snap	1	
6		? 85 x ? 100 x 3, Ring-Snap	1	
7		? 85 x ? 100 x 9, Sealing Strip	1	
8		? 85 x ? 100.5 x 6, Ring-Buffer	1	
9		Mb 8530, Sliding Bushing	1	
10		? 80 x ? 95 x 82, Bushing	2	
11		D85 / ? 96 x 3.5, Ring-Snap	1	
12		? 120 x ? 114.5 x 1.5, O-Sealingring	1	
13		? 110.72 x 3.53, O-ring	1	
14		M16 x 75, Bolt-Hex	12	GB70.1-85
15		Gland	1	
16		D85a, Ring-Buffer	1	
17		? 85x ? 65.5 x 0.5, Cushion	2	
18		? 120 x ? 115 x 9,7 Oriented Ring	2	
19		? 120 x ? 105 x 12, Sealing Ring	1	
20		? 120 x ? 65.5 x 68, Piston	1	
21		? 120 x ? 112 x 8, Pollutant	1	
22		Cylinder Ass'y	1	
23		M64 x 3, Bolt	1	
24		? 8, Steel Ball	1	
25		M12 x 12, Bolt	1	GB80-85
26		Bucket Cylinder	1	
27		M10, Nut	2	
28		? 10, Spring Cushion	3	GB93-87
29		M10 x 40, Bolt	2	GB5780-88
30		Band Ass'y	1	
31		? 29.74 x 3.53, O-Sealing Ring	1	
32		M10 x 35, Bolt-Hex	4	GB70.1-85
33		A, Oil Pipe Assy A	1	
34		M10 x 50, Bolt	1	GB5780-88
35		Yb-05, Plate	1	

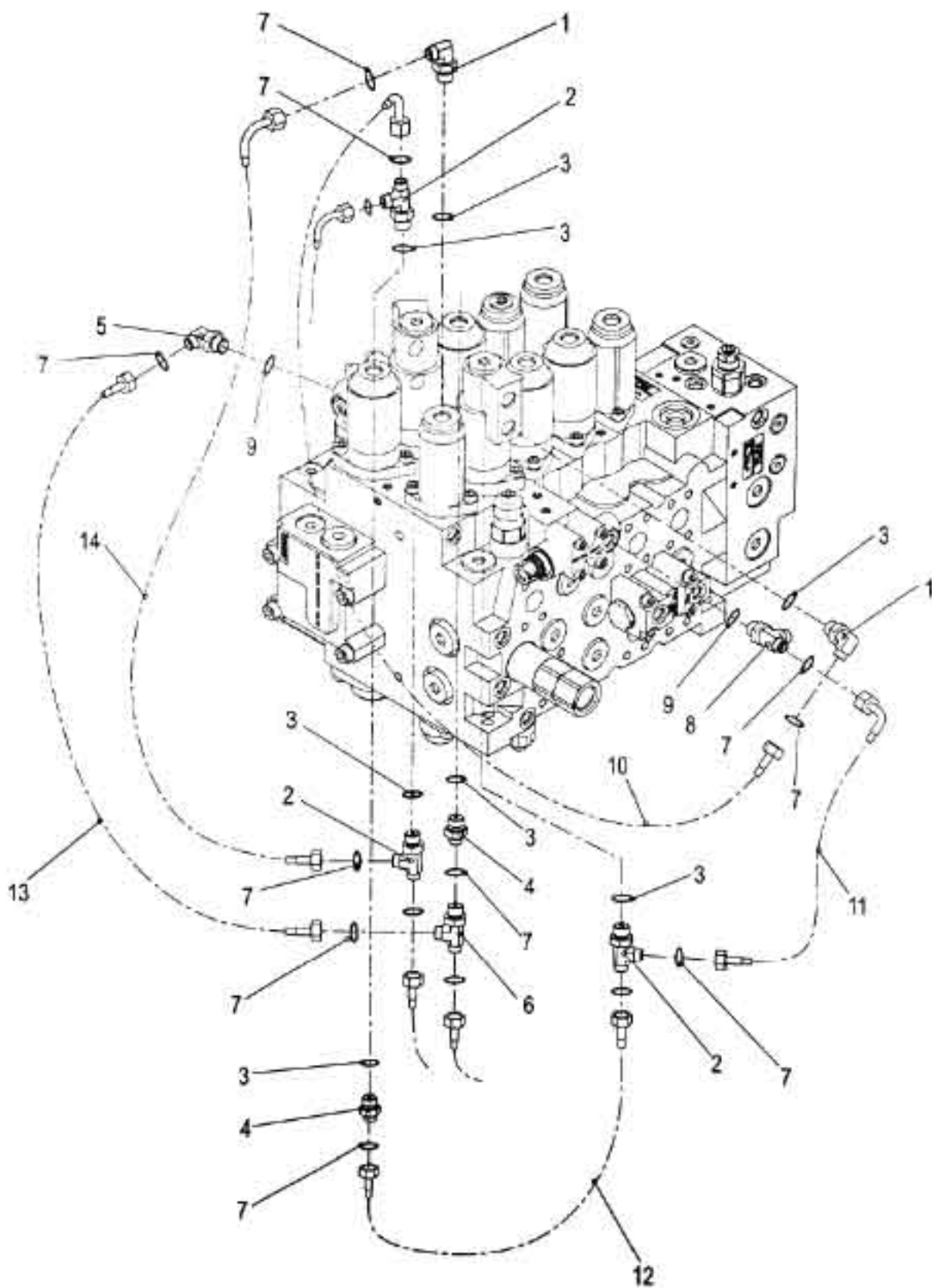


Arm Cylinder				
Index	Part Code	Description and Specification	Q' TY	Remarks
1		? 80 x ? 95 x 45, B-Bushing	4	
2		? 80 x ? 95 x 5, Ring Dust	4	GB1153-89
3		Ptl/8 90 ^o , Oil Cup	1	
4		Piston-perch	1	
5		? 95 x ? 109 x 8/11, Ring Dust	1	
6		D95 / ? 114 x 2, Ring Snap	1	
7		? 95 x ? 110 x 9, Ring	1	
8		? 95 x ? 110 x 3, Opening Ring-Snap	1	
9		? 95 x ? 100.5 x 6, Ring-Buffer	1	
10		Mb 9530, Sliding Bushing	1	
11		? 135x ? 127x8, Pollutant Ring	2	
12		? 135 x ? 130 x 12,5, Oriented Ring	2	
13		Mb 9530, Piston	1	
14		? 135 x ? 112 x 15.5, Ring	1	
15		D95, Ring-Buffer	1	
16		D95/? 91, Releasing Ring	1	
17		Gland	1	
18		M18 x 90, Bolt-Hex	12	GB70.1-85
19		? 123.19x5.33, O-Sealing Ring	1	
20		D95/? 106 x 3.5, Ring-Snap	1	
21		? 135 x 126.3 x 2, Ring-Snap	1	
22		? 70 x 6.1, Band	1	
23		? 47, Releasing Ring	1	
24		? 60 x 47, Behind Ring- Buffer	1	
25		? 54 x 5.6, Ring-Snap	1	
26		Cylinderass'y	1	
27		M14 x 14, Bolt	1	GB/T80-85
28		? 8, Steel Ball	1	GB308-89
29		Arm Cylinder	1	
30		M10, Nut	2	GB6170-2000
31		? 10, Cushion	3	GB93-87
32		M10 x 40, Bolt	2	GB5780-88
33		M10x75, Bolt	4	GB70-85
34		Cylinder Ass' Y	1	
35		? 29.74 x 3.53, O-Sealing Ring	1	
36		M10 x 35, Bolt	4	GB70-85
37		A, Oil Pipe Assy	1	
38		? 10, Cushion	1	GB93-87
39		M10 x 50, Bolt	1	GB5780-88
40		Yb-05, Plate	1	

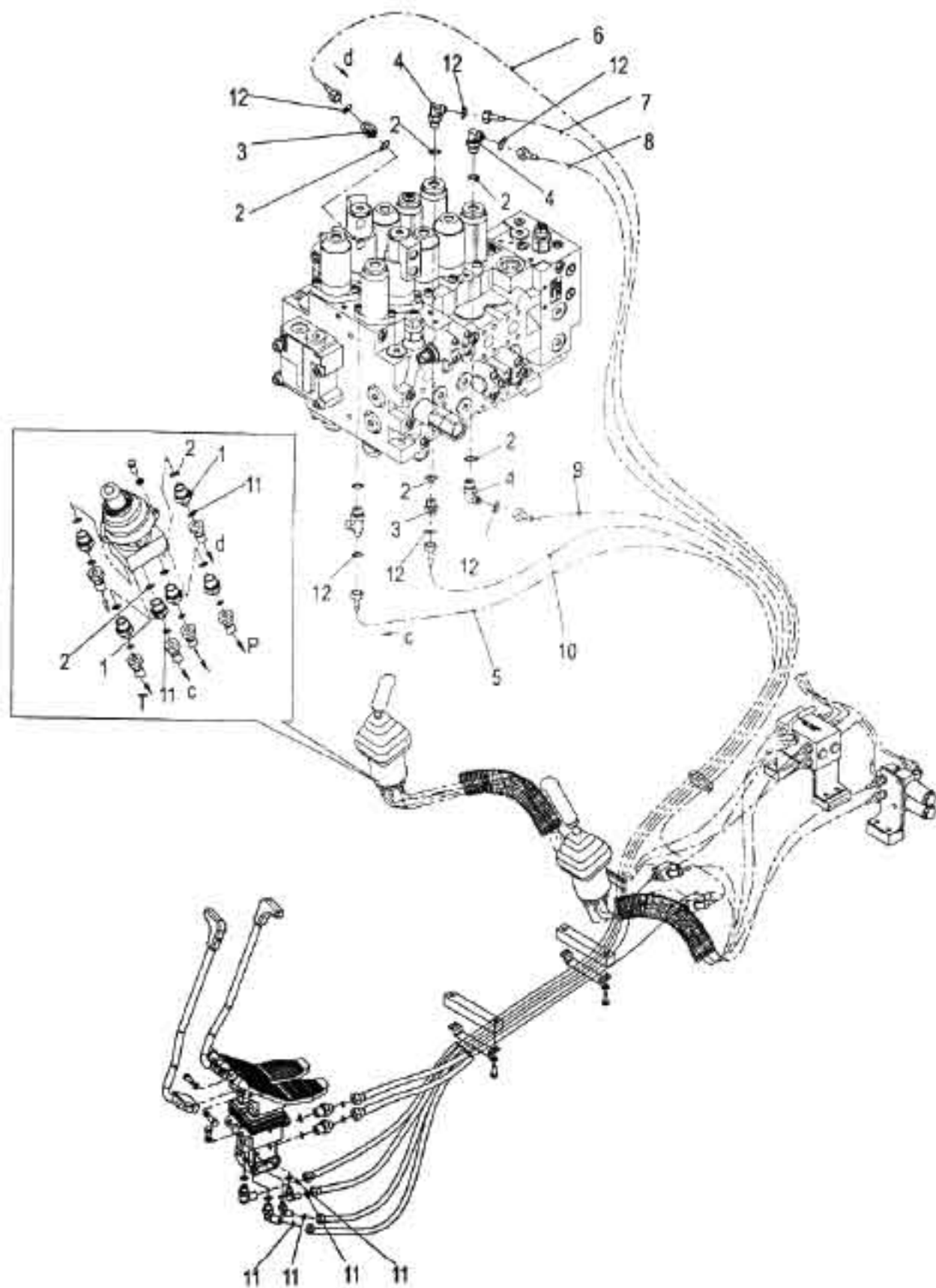
PILOT LINES



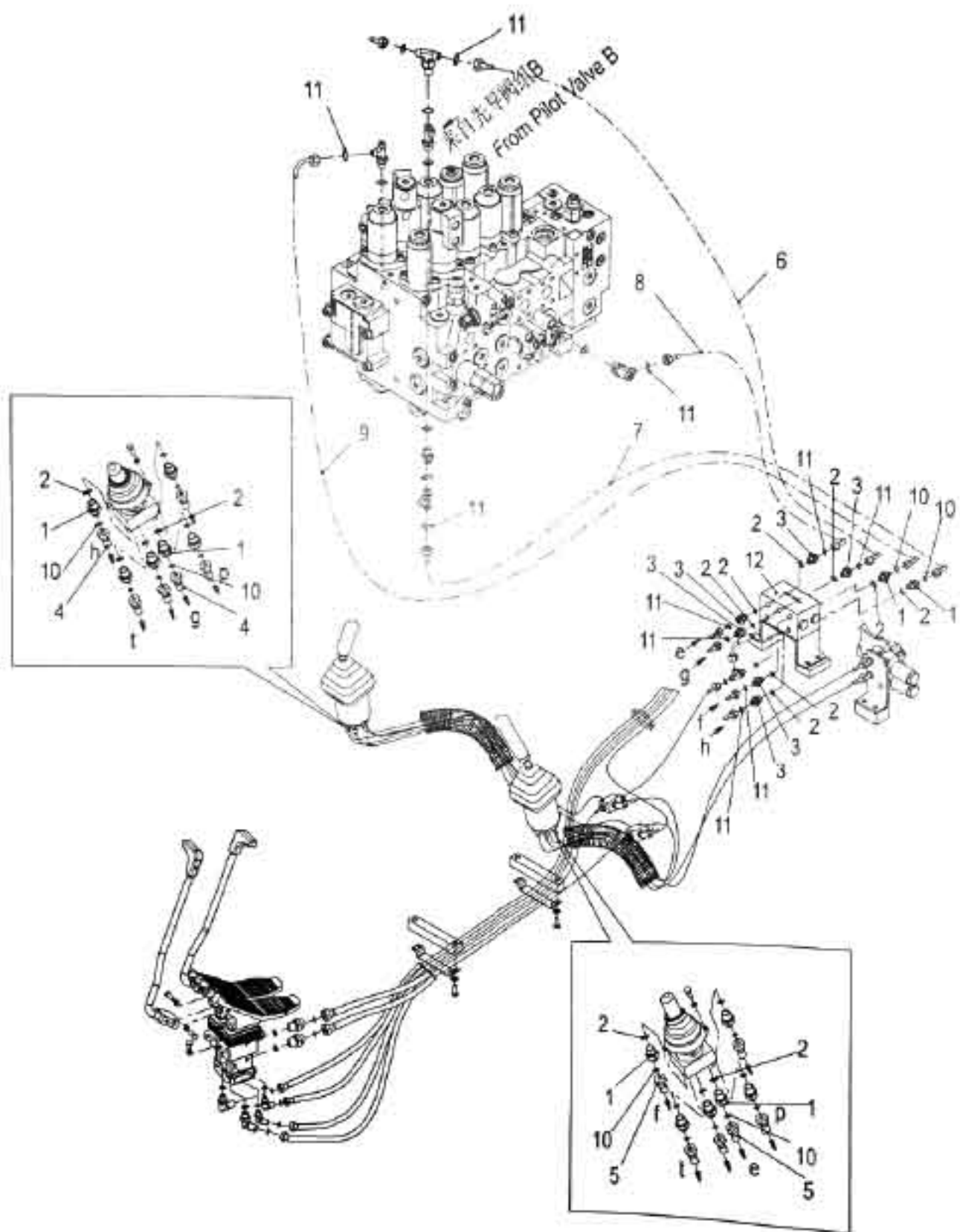
Pilot Lines				
Index	Part Code	Description and Specification	Q`TY	Remarks
1		Left Joy Stick	1	
2		M10x20-10.9, Bolt	8	GB/T5783-2000
3		10-300HV, Washer	19	GB/T97.1-2002
4		Pilot Valve	1	
5		Pedal	1	
6		Nipple	6	
7		?10.8x2.4, O-Ring	16	GB/T5783-2000
8		M10x35-10.9, Bolt	4	
9		Plate	2	
10		Pilot Valve	1	
11		Pilot Valve	1	
12		M6x20-8.8, Bolt	8	GB/T5783-2000
13		6-200HV, Washer	8	GB/T97.1-2002
14		Bushing	2	
15		I, Bracket I	1	
16		II, Bracket II	1	
17		Nilon Band	20	
18		Hose Assy	1	
19		Hose Assy	1	
20		M12x25-10.9, Bolt	6	GB/T5783-2000
21		12-300HV, Washer	6	GB/T97.1-2002
22		Oil Block	1	
23		M10x25-10.9, Bolt	2	GB/T5783-2000
24		Nipple	3	
25		Nipple	7	
26		Nipple	2	
27		? 17.8x2.4, O-Ring	2	
28		M10x50-10.9, Bolt	2	
29		M10x60-10.9, Bolt	2	
30		Hose	1	
31		Hose	1	
32		Hose	1	
33		Hose	1	
34		Hose	1	
35		Hose	1	
36		? 8.0 X 1.5, O - Ring	12	
37		Righe Joy Stick	1	



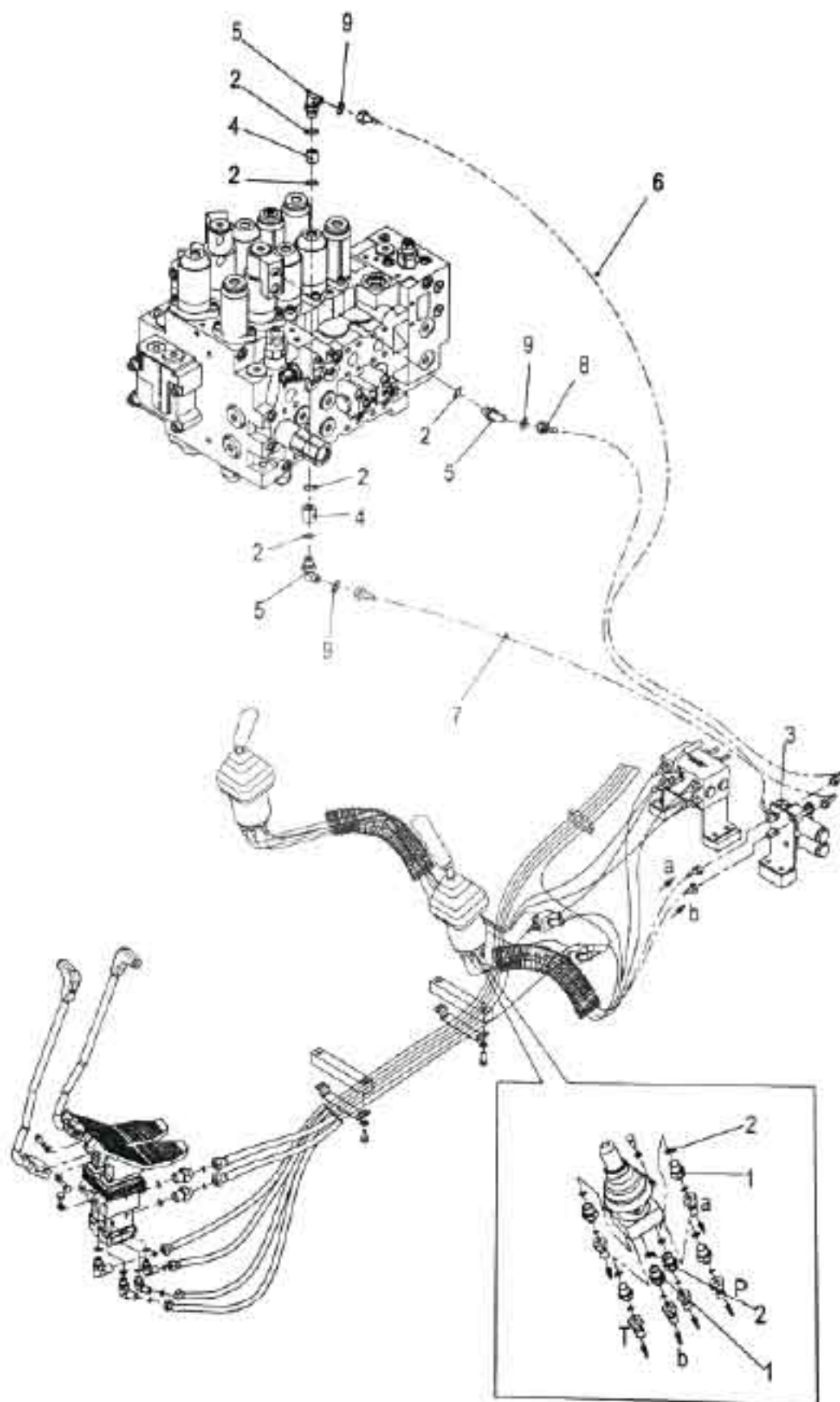
Pilot Lines				
Index	Part Code	Description and Specification	Q`TY	Remarks
1		Nipple	2	
2		Nipple	3	
3		? 13.8 X 2.4, O - Ring	6	
4		Nipple	2	
5		Nipple	1	
6		Nipple	1	
7		? 6.5 X 1.5, O - Ring	14	
8		Nipple	1	
9		? 10.8 x 2.4, O - Ring	2	
10		Hose	1	
11		Hose	1	
12		Hose	1	
13		Hose	1	
14		Hose	1	



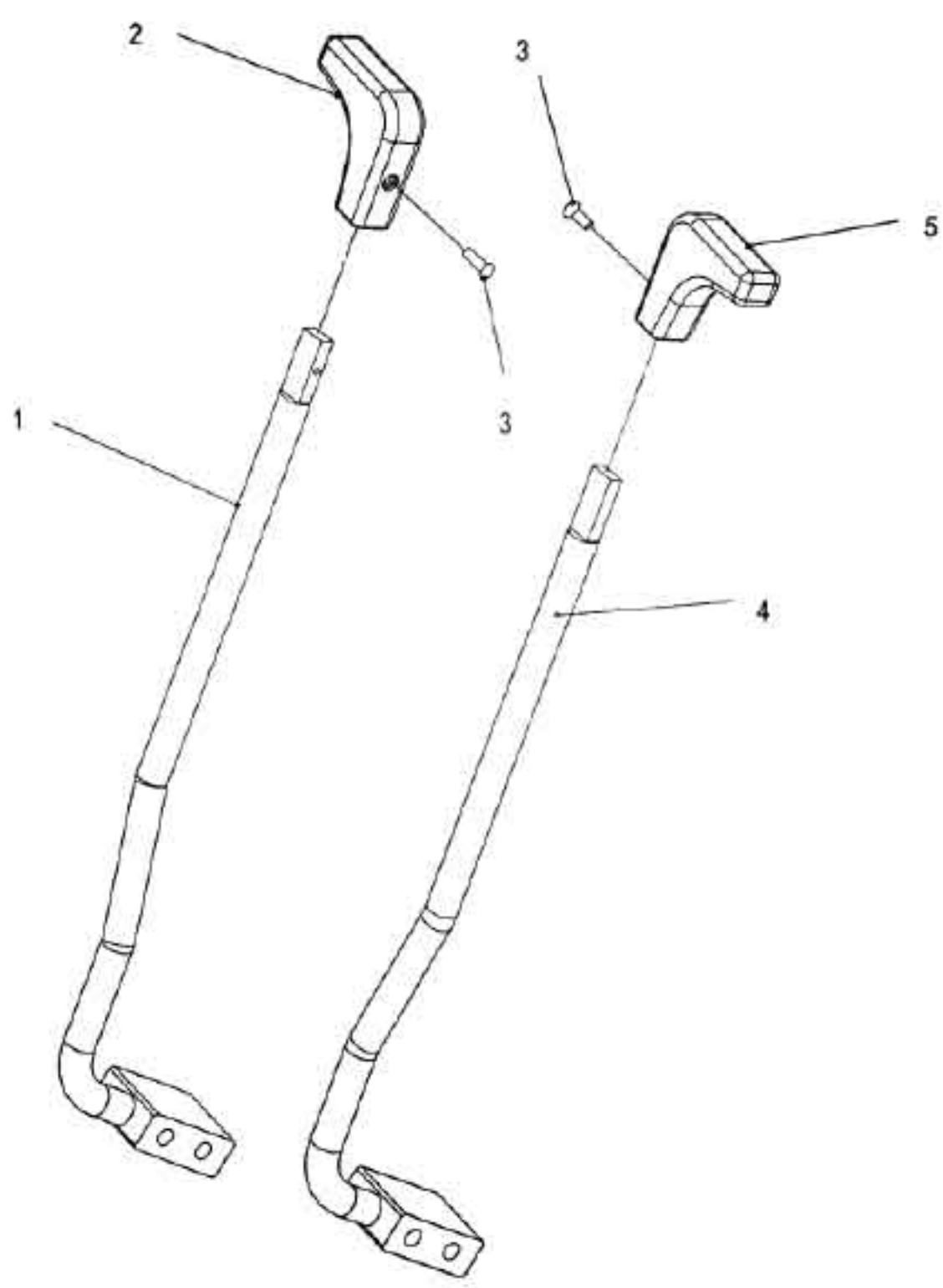
Pilot Lines				
Index	Part Code	Description and Specification	Q' TY	Remarks
1		Nipple	2	
2		? 13.8 X 2.4, O - Ring	7	
3		Nipple	2	
4		Nipple	3	
5		Hose	1	
6		Hose	1	
7		Hose	1	
8		Hose	1	
9		Hose	1	
10		Hose	1	
11		? 8.0 x 1.5, O - Ring	6	
12		? 6.5 X 1.5, O - Ring	6	



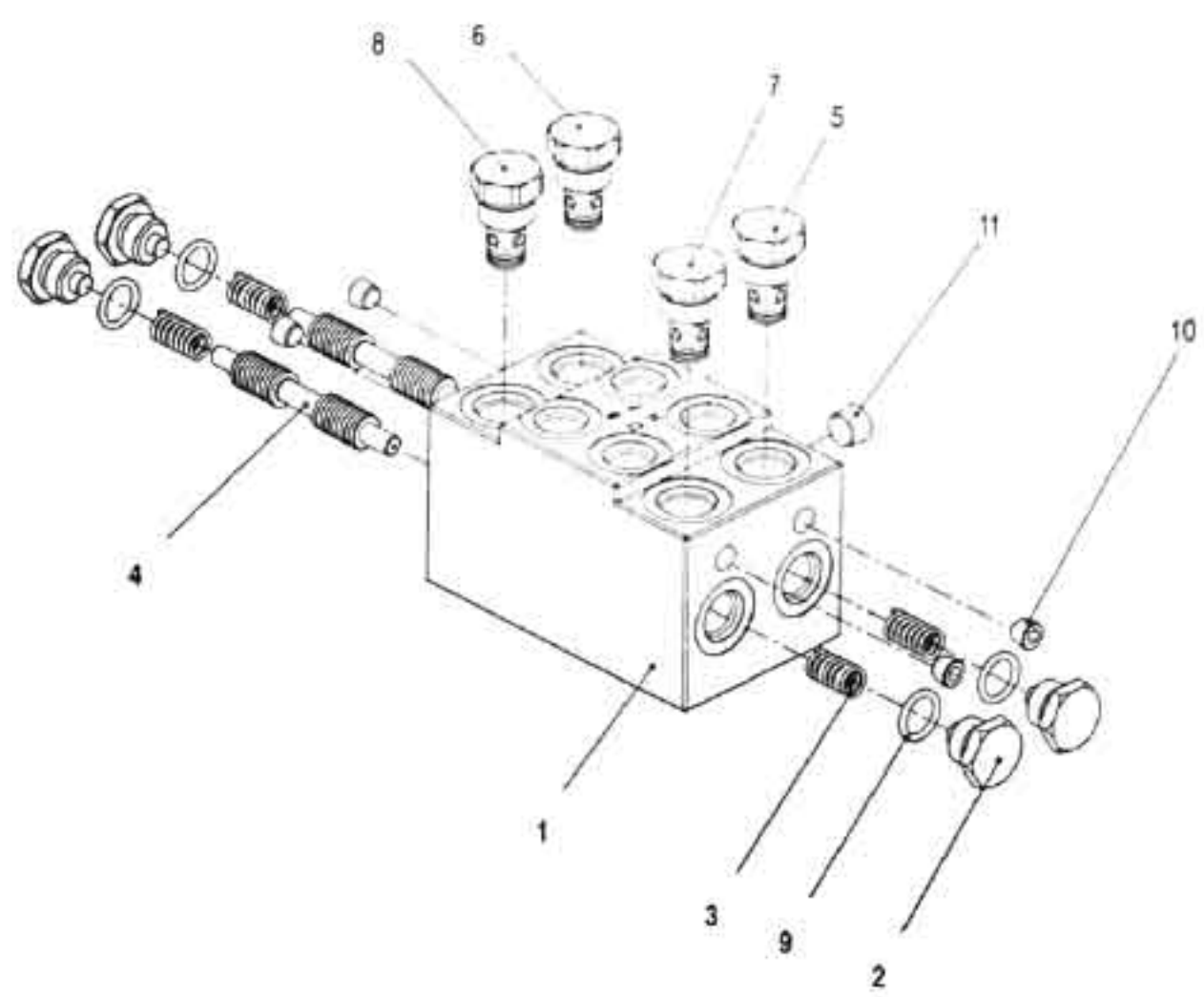
Pilot Lines				
Index	Part Code	Description and Specification	Q`TY	Remarks
1		Nipple	4	
2		? 13.8 X 2.4, O - Ring	10	
3		Nipple	6	
4		Hose	2	
5		Hose	2	
6		Hose	1	
7		Hose	1	
8		Hose	1	
9		Hose	1	
10		? 8.0 x 1.5, O - Ring	6	
11		? 6.5 X 1.5, O - Ring	10	
12		Cusion Valve	1	



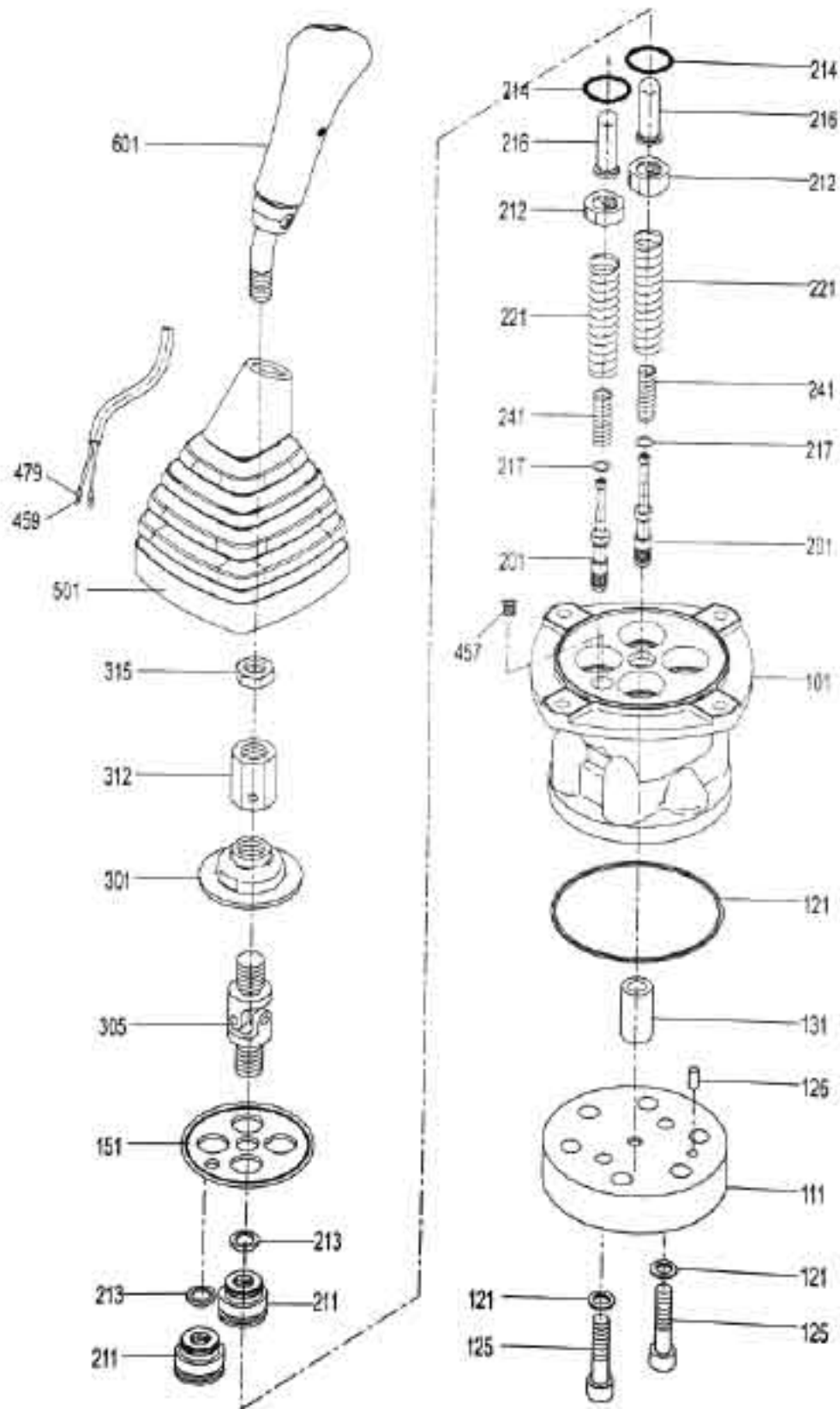
Pilot Lines				
Index	Part Code	Description and Specification	Q' TY	Remarks
1		Nipple	2	
2		? 13.8 X 2.4, O - Ring	7	
3		Shuttle Valve	1	
4		Throttle Valve	2	
5		Nipple	3	
6		Hose	1	
7		Hose	1	
8		Hose	1	
9		? 6.5 X 1.5, O - Ring	3	



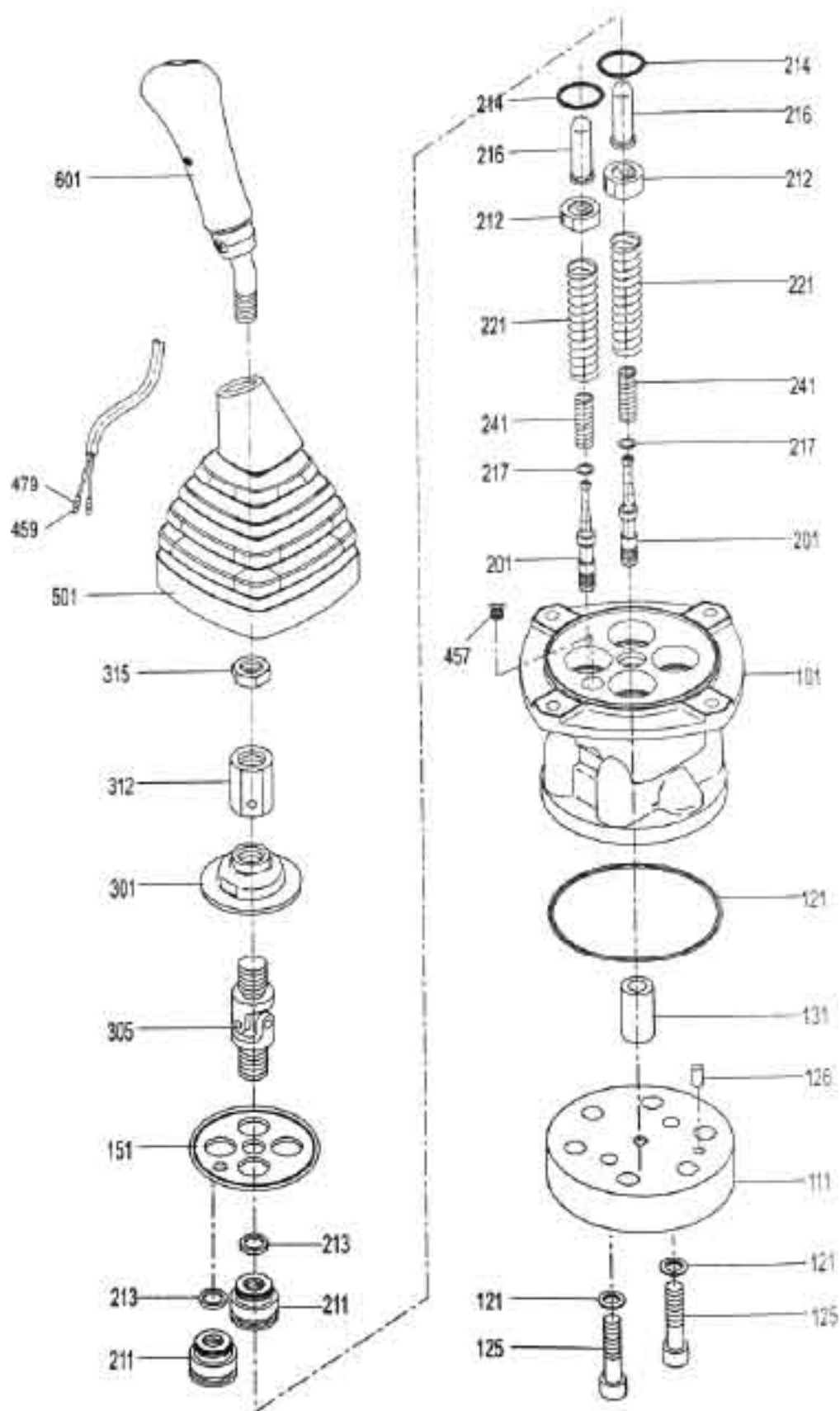
Pilot Lines				
Index	Part Code	Description and Specification	Q`TY	Remarks
1		Right Rod	1	
2		Right Handle	1	
3		M4 X 12 - 5.8, Bolt	2	
4		Left Rod	1	
5		Left Handle	1	



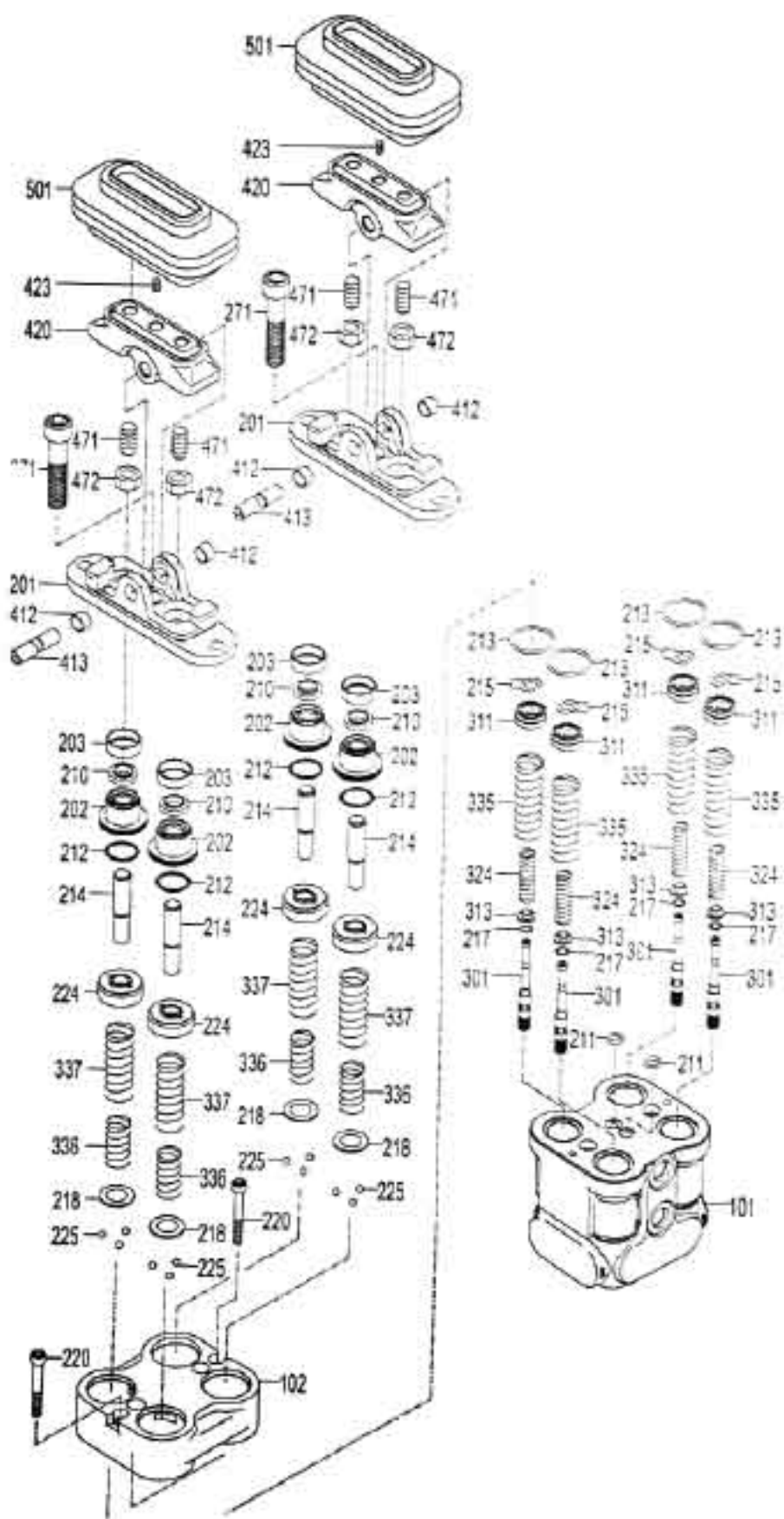
Cushion Valve				
Index	Part Code	Description and Specification	Q`TY	Remarks
1		Body	1	
2		Plug	4	
3		Spring	4	
4		Valve Rod	2	
5		Throttle Valve	1	
6		Throttle Valve	1	
7		Throttle Valve	1	
8		Throttle Valve	1	
9		O - Ring	4	
10		Plug	4	
11		Plug	1	



Pilot Valve (Left)				
Index	Part Code	Description and Specification	Q`TY	Remarks
101		Casing	1	
111		Plate Port	1	
121		Washer Seal	2	
122		O - Ring	1	
125		Screw	2	
126		Pin Spring	1	
131		Bush	1	
151		Plate	1	
201		Spool	4	
211		Plug	4	
212		Rod Push	4	
213		Seal	4	
214		O - Ring	4	
216		Seat 1 Spring	4	
217		Washer, 2	4	
221		Spring	4	
241		Spring	4	
301		Joint	1	
302		Plate Circulate	1	
312		Nut Adjusting	1	
315		Nut Lock	1	
457		Bush	1	
459		Connector	2	
479		Sleeve Insulating	2	
501		Bellows	1	
601		Handle Sub	1	

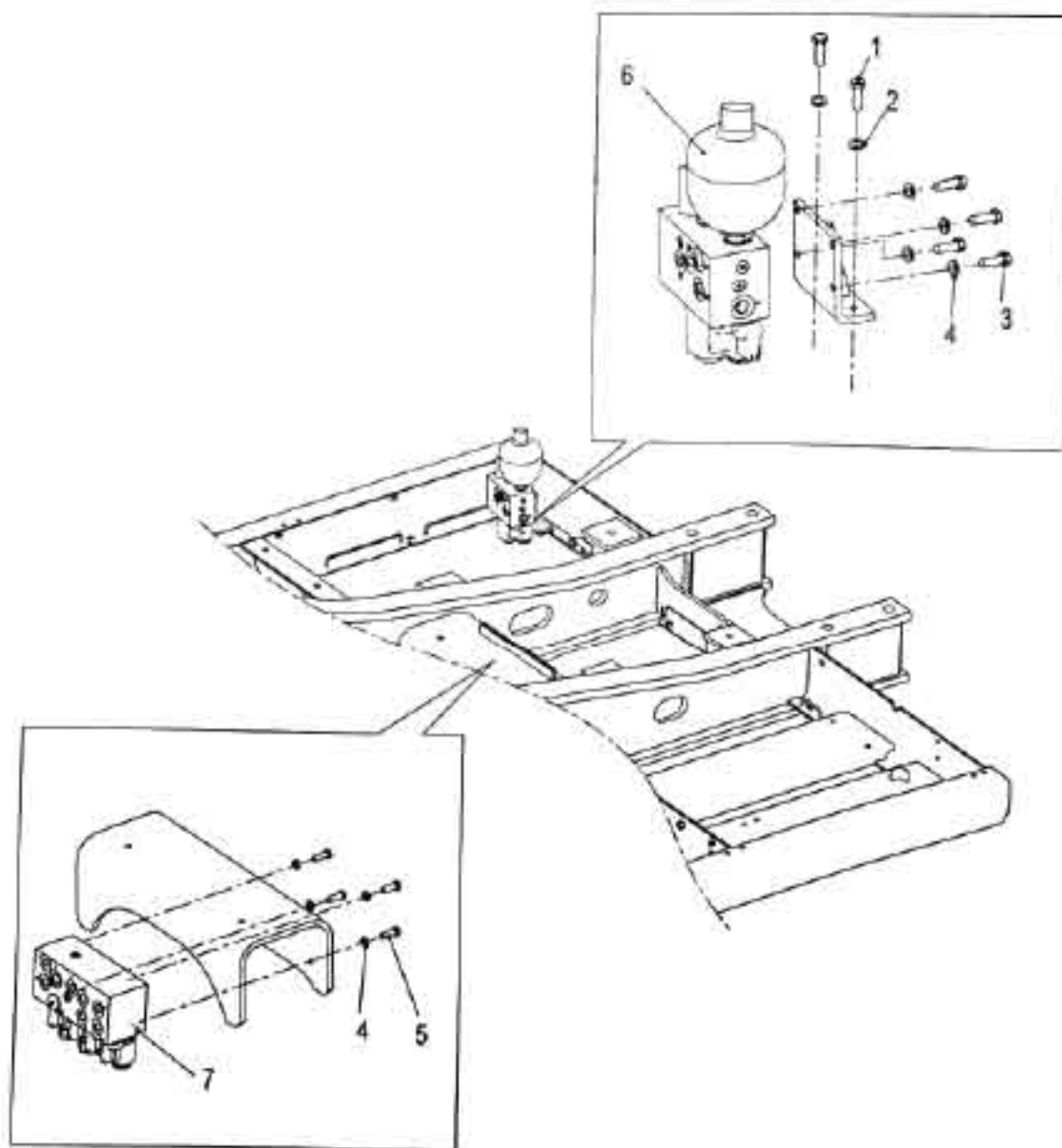


Pilot Valve (Right)				
Index	Part Code	Description and Specification	Q`TY	Remarks
101		Casing	1	
111		Plate Port	1	
121		Washer Seal	2	
122		O - Ring	1	
125		Serew	2	
126		Pin Spring	1	
131		Bush	1	
151		Plate	1	
201		Spool	4	
211		Plug	4	
212		Rod Push	4	
213		Seal	4	
214		O - Ring	4	
216		Seat 1 Spring	4	
217		Washer, 2	4	
221		Spring	4	
241		Spring	4	
301		Joint	1	
302		Plate Circulate	1	
312		Nut Adjusting	1	
315		Nut Lock	1	
457		Bush	1	
459		Connector	2	
479		Sleeve Insulating	2	
501		Bellows	1	
601		Handle Sub	1	

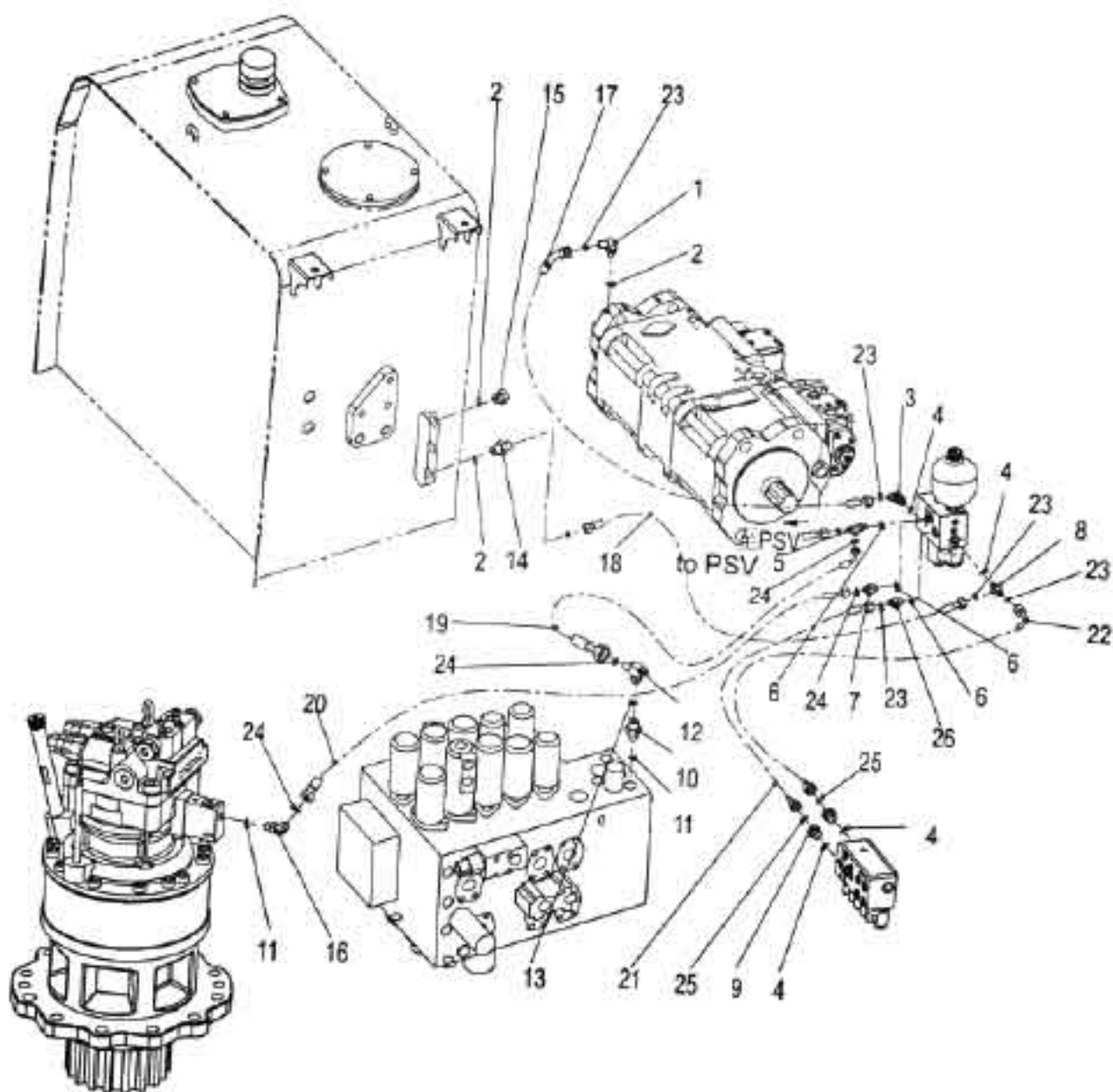


Pilot Valve				
Index	Part Code	Description and Specification	Q`TY	Remarks
101		Casing	1	
102		Casing (Damper)	1	
201		Cover	2	
202		Plug	4	
203		Grease Cup	4	
210		Nhu Paking	4	
211		O - Ring	2	
212		O - Ring	2	
213		O - Ring	4	
214		Rod Push	4	
215		1, Washer 1	8	
217		2, Washer 2	4	
218		Seat Spring	4	
220		Screw.Hex.S.H.C	2	
224		Piston	4	
225		Ball Steel	12	
271		Screw.Hex.S.H.C	2	
301		Spool	4	
311		Seat Spring	4	
313		Washer 3	4	
324		Spring	4	
335		Spring	4	
336		Spring	4	
337		Spring	4	
412		Bush	4	
413		Cam Shaft	2	
420		Cam	2	
423		Set Screw	2	
471		Set Screw	4	
472		Lock Nut	4	
501		Bellows	2	

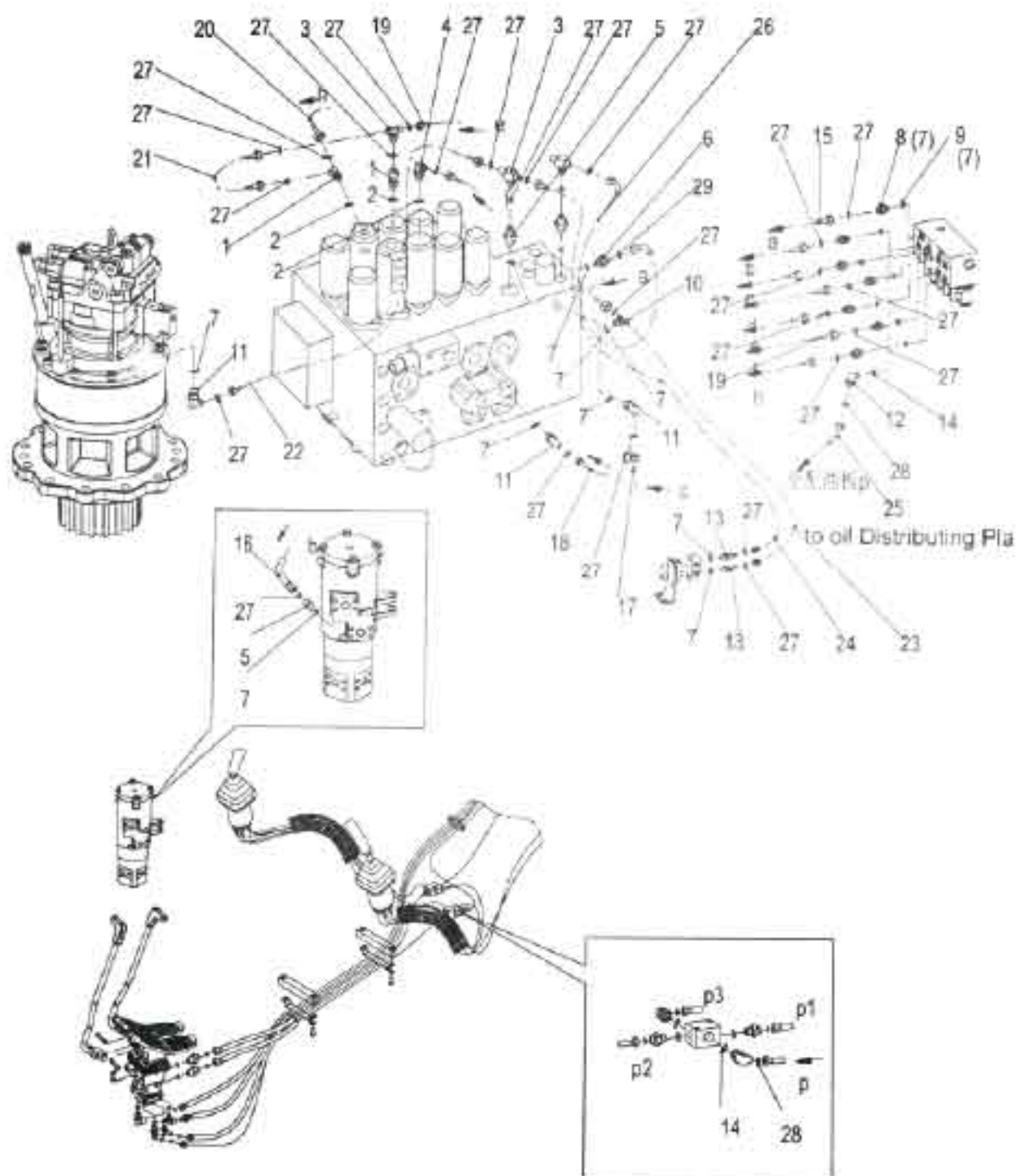
SOLENOID VALVE PIPING



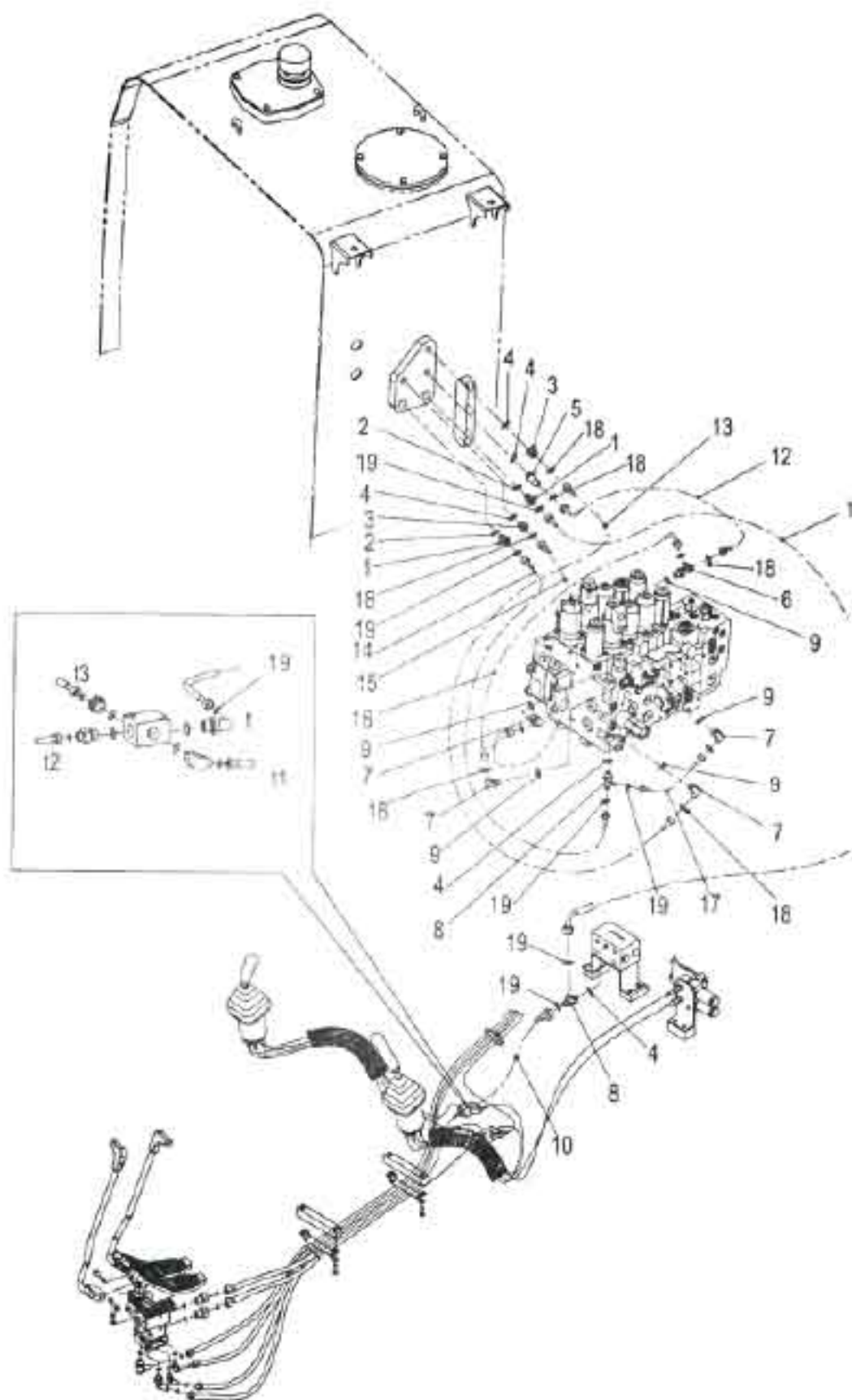
Solenoid Valve Piping				
Index	Part Code	Description and Specification	Q`TY	Remarks
1		M12 X 25 - 10.9, Bolt	2	
2		12 - 300HV, Washer	2	
3		M10 X 25 - 10.9, Bolt	4	
4		10 - 300HV, Washer	8	
5		M10 X 30 - 10.9, Bolt	4	
6		A, Pilot Valve	1	
7		B, Pilot Valve	1	



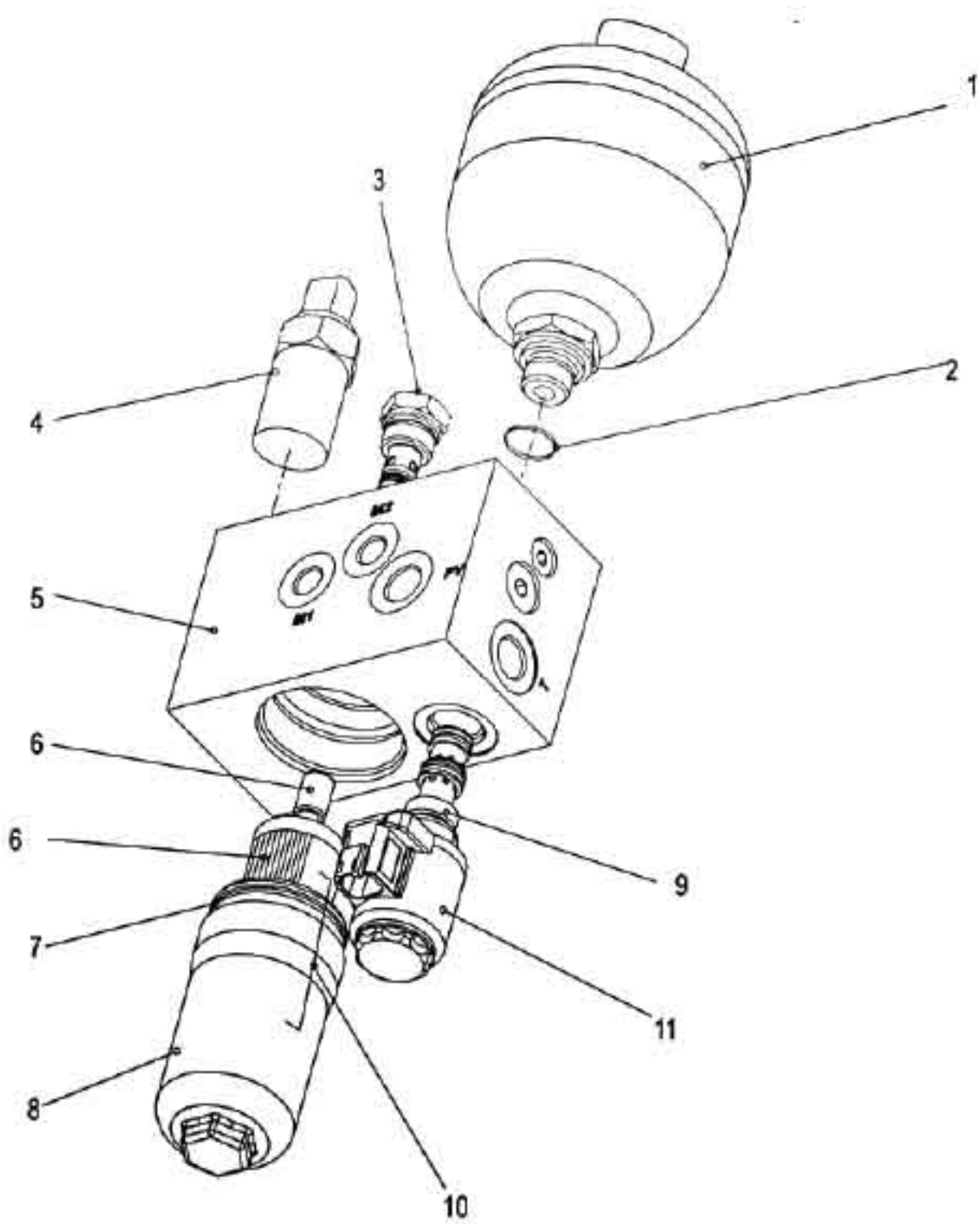
Solenoid Valve Piping				
Index	Part Code	Description and Specification	Q`TY	Remarks
1		Nipple	1	
2		? 17.8 X 2.4, O - Ring	3	
3		Nipple	1	
4		? 13.94 X 2.62, O - Ring	4	
5		Nipple	1	
6		? 10.77 X 2.62, O - Ring	3	
7		Nipple	2	
8		Nipple	1	
9		Nipple	2	
10		Filter Niple	1	
11		? 10.8 x 2.4, O - Ring	2	
12		Nipple	1	
13		? 8.0 X 1.5, O - Ring	1	
14		Nipple	1	
15		Plug	1	
16		Nipple	1	
17		Hose	1	
18		Hose	1	
19		Hose	1	
20		Hose	1	
21		Hose	1	
22		Hose	1	
23		? 12 X 2, O - Ring	6	
24		? 6.5 X 1.5, O - Ring	4	
25		? 10 X 1.5, O - Ring	2	
26		Nipple	1	



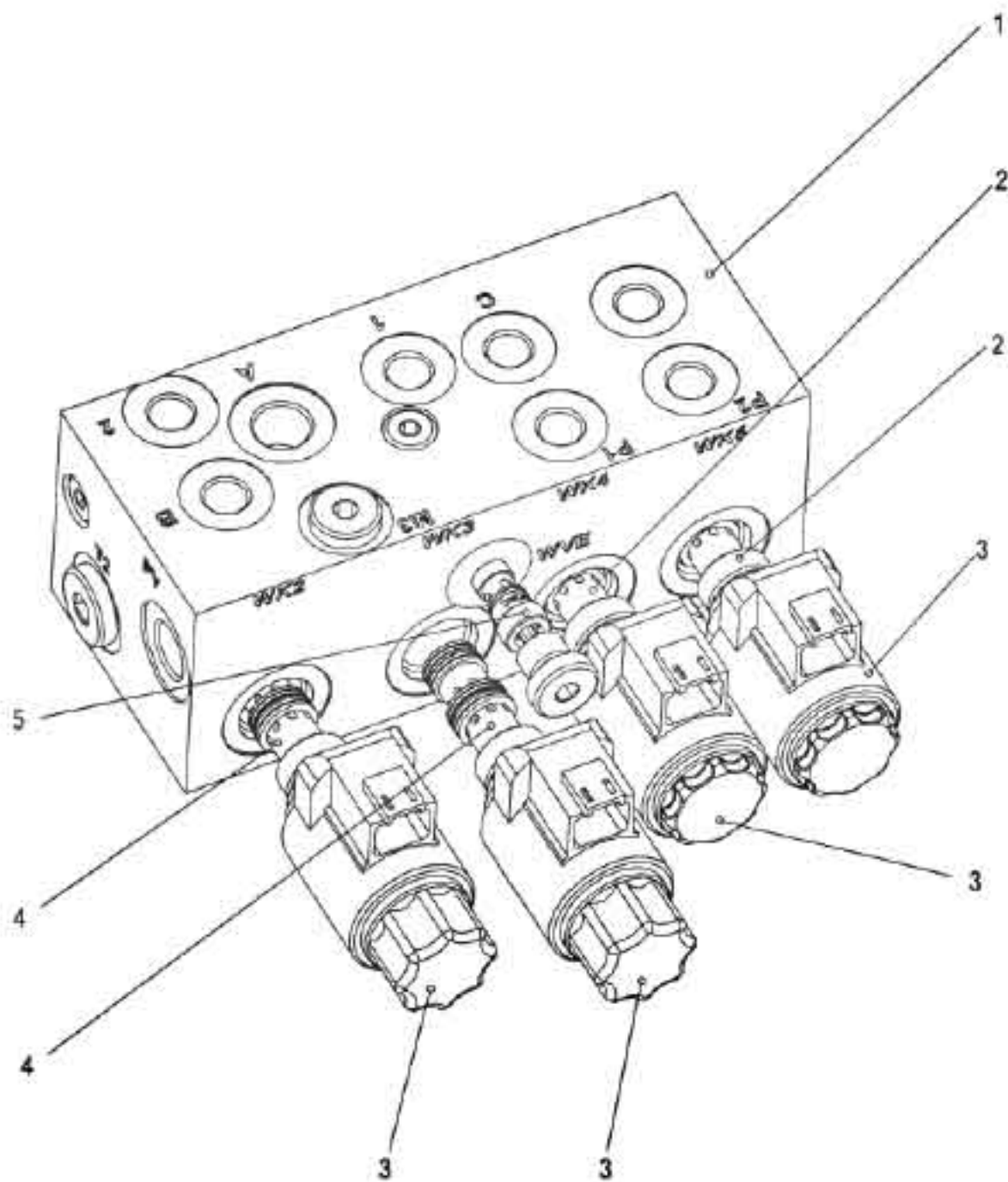
Solenoid Valve Piping				
Index	Part Code	Description and Specification	Q`TY	Remarks
1		Nipple	2	
2		? 13.8 X 2.4, O - Ring	3	
3		Nipple	2	
4		Nipple	1	
5		Nipple	1	
6		Nipple	1	
7		? 10.8 x 2.4, O - Ring	8	
8		Nipple	7	
9		? 10.77 X 2.62, O - Ring	7	
10		Nipple	1	
11		Nipple	3	
12		Nipple	1	
13		Nipple	2	
14		? 13.94 X 2.62, O - Ring	1	
15		Hose	1	
16		Hose	1	
17		Hose	1	
18		Hose	1	
19		Hose	2	
20		Hose	1	
21		Hose	1	
22		Hose	1	
23		Hose	1	
24		Hose	1	
25		Hose	1	
26		Hose	1	
27		? 6.5 X 1.5, O - Ring	25	
28		? 12 X 2, O - Ring	2	
29		? 8.0 X 1.5, O - Ring	1	
30		Nipple	1	
31		? 11.3 X 2.4, O - Ring	1	



Solenoid Valve Piping				
Index	Part Code	Description and Specification	Q' TY	Remarks
1		Nipple	2	
2		? 17.8 X 2.4, O - Ring	1	
3		Nipple	2	
4		? 13.8 X 2.4, O - Ring	2	
5		Nipple	1	
6		Nipple	1	
7		Nipple	3	
8		Nipple	1	
9		? 10.8 x 2.4, O - Ring	4	
10		Hose	1	
11		Hose	1	
12		Hose	1	
13		Hose	1	
14		Hose	1	
15		Hose	1	
16		Hose	1	
17		Hose	1	
18		? 6.5 X 1.5, O - Ring	9	
19		? 12 X 2, O - Ring	7	

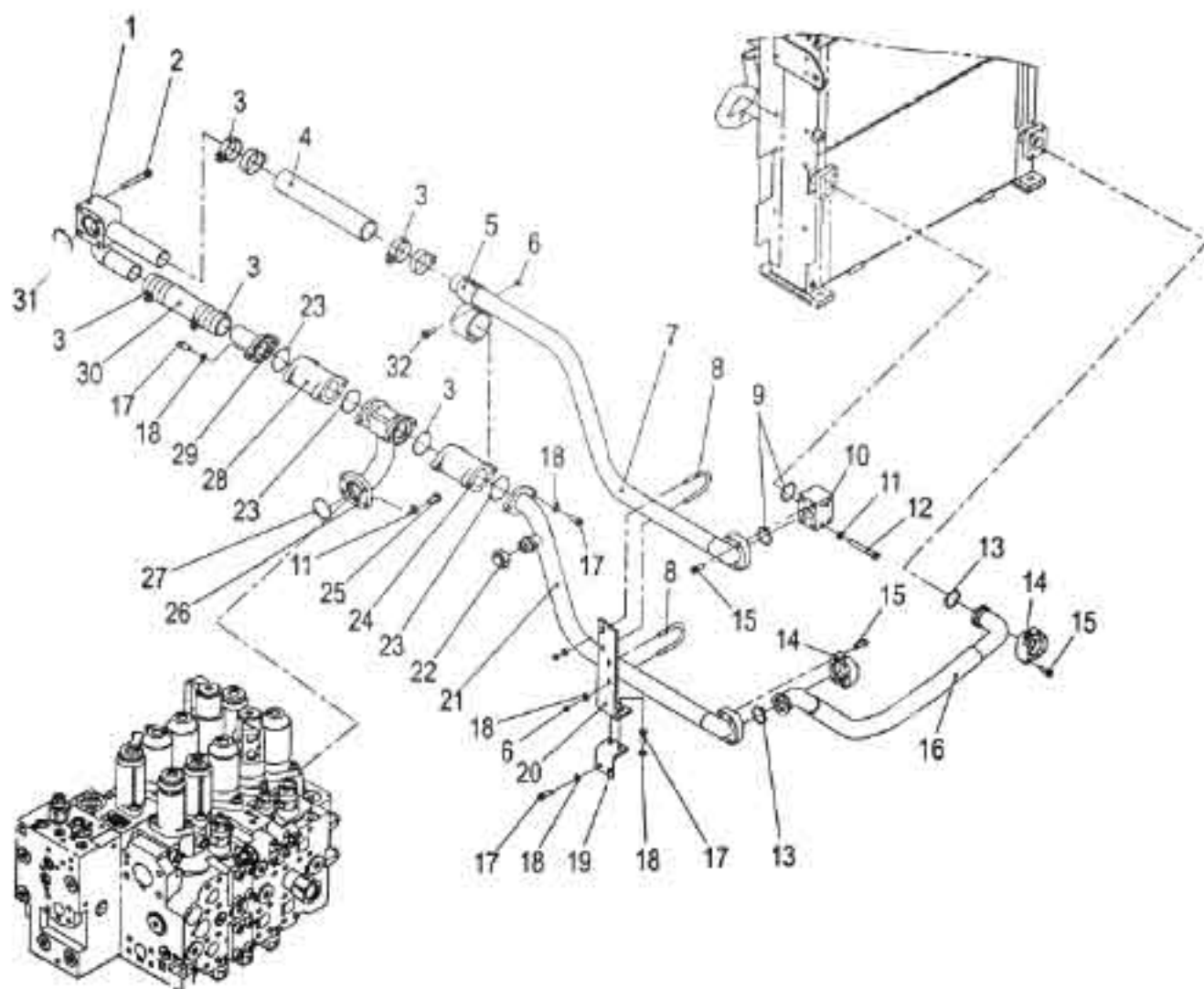


Solenoid Valve A				
Index	Part Code	Description and Specification	Q`TY	Remarks
1		Acculator	1	
2		O - Ring	1	
3		Check Valve	1	
4		Signaling Device	1	
5		Body	1	
6		Filter	1	
7		O - Ring	1	
8		Filter Shell	1	
9		Valve Rod	1	
10		Filter Assy	1	
11		Solenoid	1	



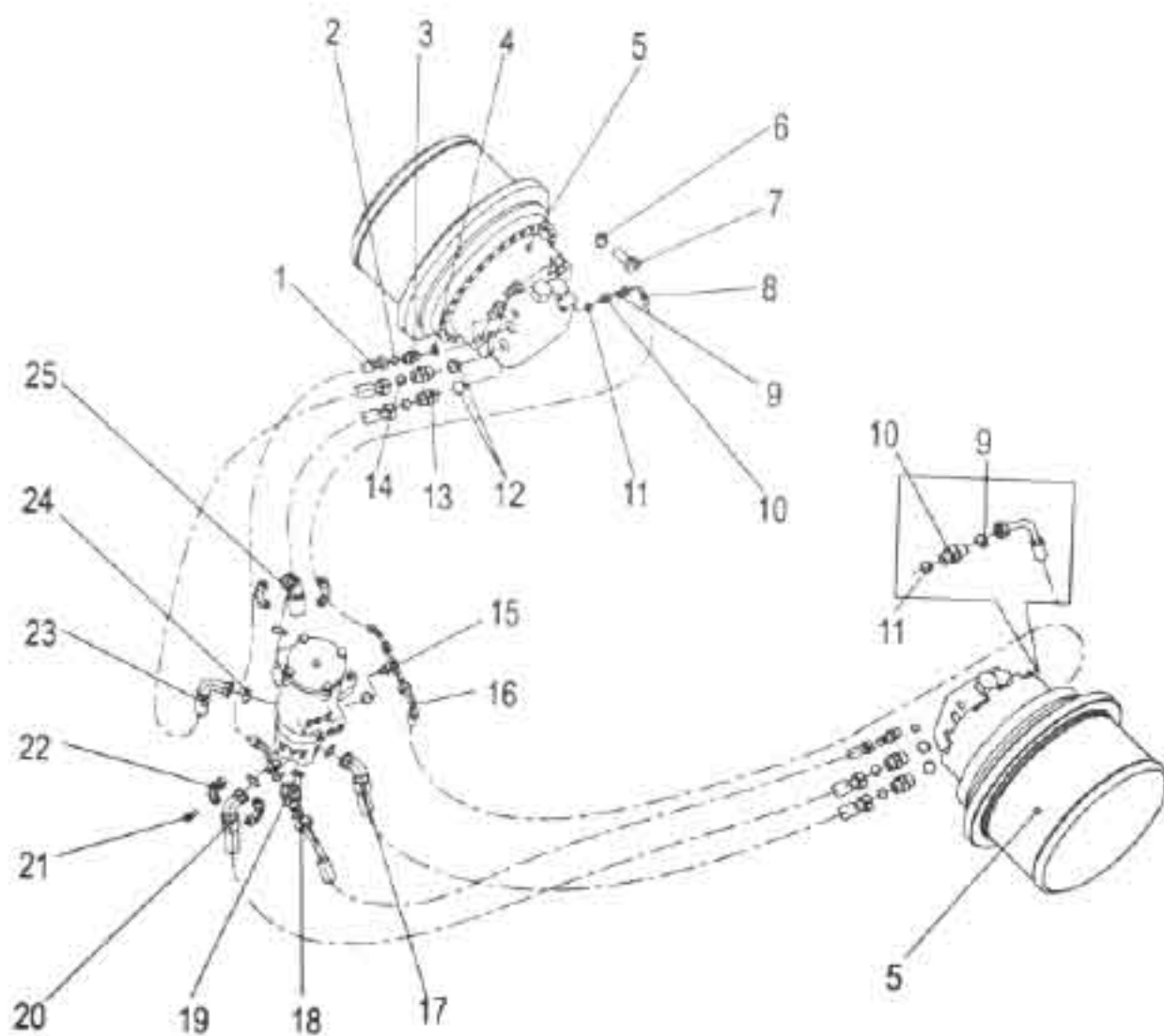
Solenoid Valve B				
Index	Part Code	Description and Specification	Q`TY	Remarks
1		Body	1	
2		Valve Rod	2	
3		Solenoid	4	
4		Valve Rod	2	
5		Shuttle Valve	1	

COOLING PIPING

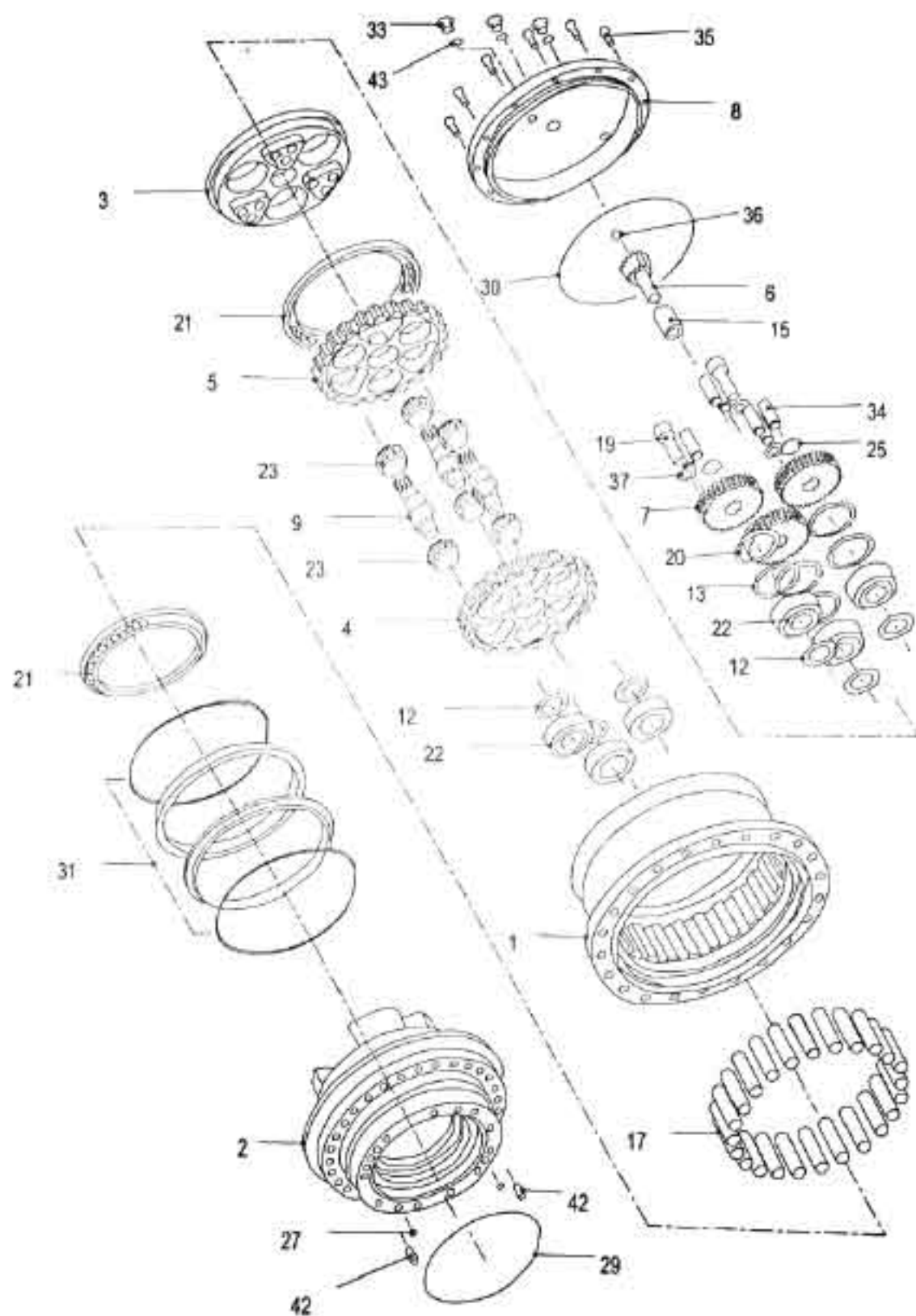


Cooling Piping				
Index	Part Code	Description and Specification	Q' TY	Remarks
1		Tube	1	
2		M12 X 90 - 10.9, Bolt	4	GB/T5782-2000
3		Clamp	8	
4		House	1	
5		Clip	2	
6		M10 - 10, Nut	6	GB/T6170-2000
7		Tube	1	
8		Bolt	2	
9		? 47.7 X 3.5, Ring	2	
10		Nipple	1	
11		12, Washer	8	GB/T97.1-2002
12		M12 X 80 - 10.9, Bolt	4	GB/T5782-2000
13		Ring	2	
14		Flange	2	
15		M12 X 35 - 10.9, Bolt	12	GB/T70.1-2008
16		House	1	
17		M10 X 35 - 10.9, Bolt	12	GB/T5783-2000
18		10, Washer	16	GB/T97.1-2002
19		Plate	1	
20		Plate	1	
21		Tube	1	
22		M30 X 2, Nipple	1	
23		? 66.5 X 2, Ring	4	
24		Valve	1	
25		M12 X 35 - 10.9, Bolt	4	GB/T5783-2000
26		Tube	1	
27		? 59.4 X 3.1, Ring	1	
28		Valve	1	
29		Tube	1	
30		House	1	
31		? 63 X 3.55, Ring	1	
32		M10 X 30 - 10.9, Bolt	2	GB/T70.1-2008

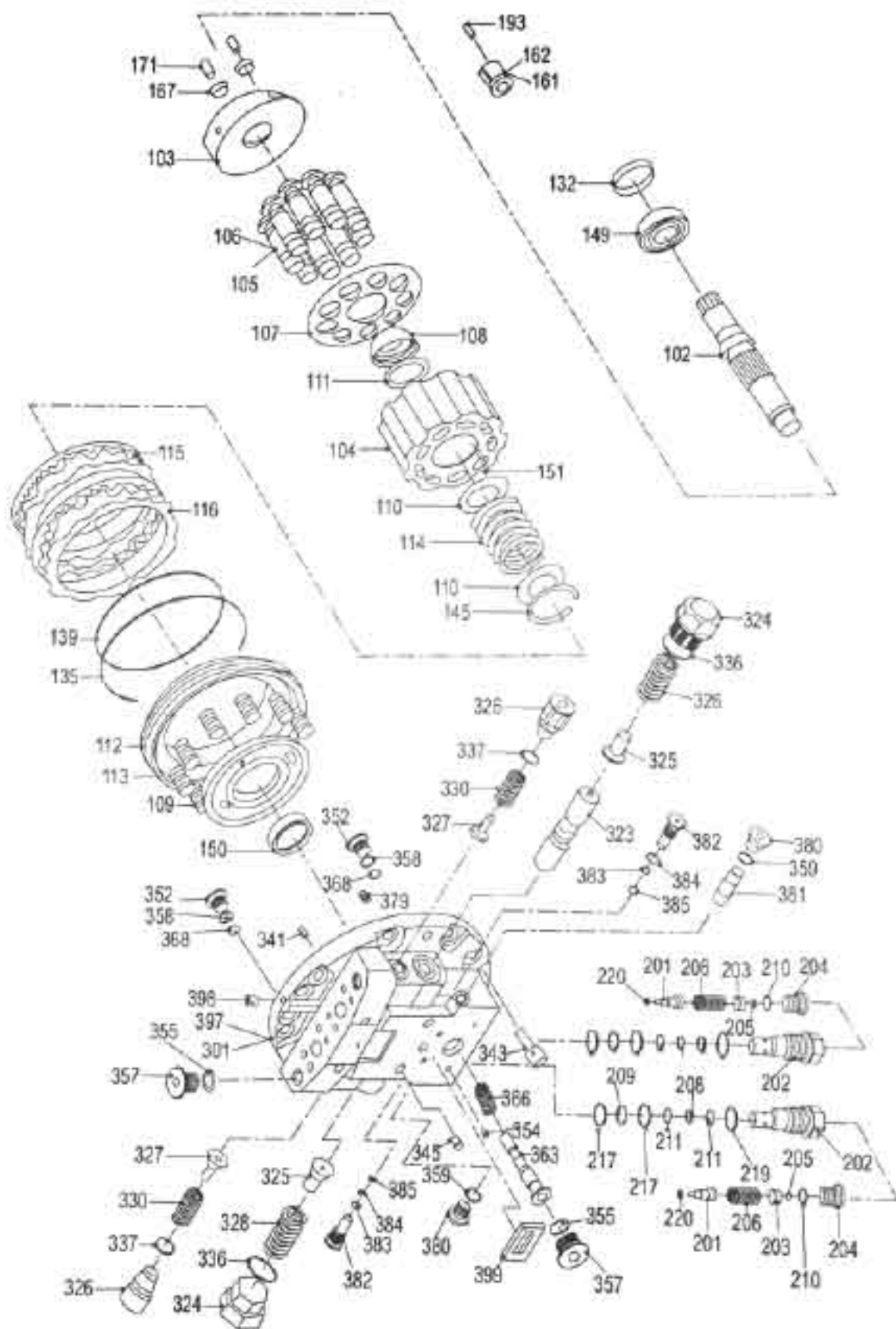
TRACTION MOTOR LINE



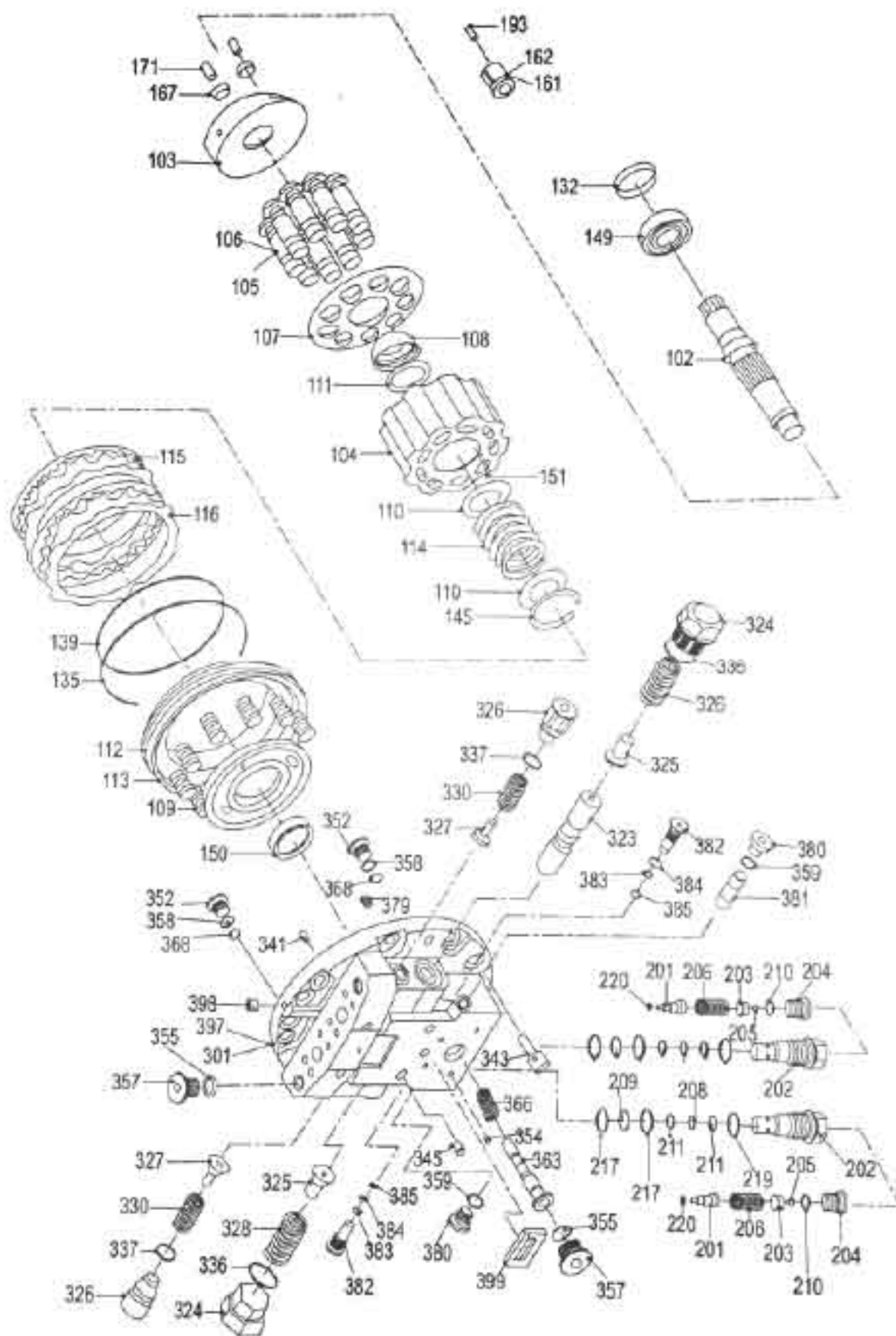
Traction Motor Line				
Index	Part Code	Description and Specification	Q`TY	Remarks
1		Hose	1	
2		Hose	1	
3		Hose	2	
4		M10 X 30 - 10.9, Bolt	16	GB/T70.1-2008
5		Flange	4	
6		Nipple	1	
7		? 10.8 X 2.4, O - Ring	3	
8		Hose	1	
9		Hose	1	
10		Nipple	1	
11		? 21.7 X 3.5, O - Ring	1	
12		Nipple	1	
13		Travel Motor	2	
14		Nipple	4	
15		Nipple	2	
16		M16 X 45 - 12.9, Bolt	60	GB/T5783-2000
17		Washer	60	
18		Hose	1	
19		Hose	1	
20		? 24.99 X 3.53, O - Ring	4	
21		? 17.8 X 2.4, O - Ring	2	
22		? 28.7 X 3.5, O - Ring	4	
23		? 12 X 2, O - Ring	4	
24		? 6.5 X 1.5, O - Ring	4	
25		? 16.3 X 2.4, O - Ring	4	



Travel Motor and Reduction Gear				
Index	Part Code	Description and Specification	Q`TY	Remarks
A.		Reduction Gear Ass`y	1	
A..		Spindle Kit	1	
A...		Spindle Ass`y	1	
2		Spindle	1	
3		Hold Flange	1	
19		Hex.Socket Head Bolt	3	
34		Parallel Pin	6	
37		Washer	3	
B..		Rv - Gear Ass`y	1	
B...		Rv - Gear Kit	1	
4		A, Rv Gear A	1	
5		B, Rv Gear B	1	
9		Crank Shaft	3	
12		Spacer	6	
22		Taper Roller Bearing	6	
23		Needle Roller Bearing	6	
C..		Spur - Gear Kit	1	
7		Spur - Gear	3	
D..		Floating - Seal Kit	1	
31		Floating Seal	2	
1		Hub	1	
6		Input - Gear	1	
8		Cover Distance Piece	1	
13		Distance Piece	3	
15		Coupling	1	
17		Pin	24	
20		Retaining - Ring Of Hole Use	3	
21		Angular	2	
25		Retaining - Ring	3	
27		O - Ring	2	
29		O - Ring	1	
30		O - Ring	1	
33		Hex.Socket Plug	3	
35		Hex.Socket Head Bolt	12	
36		Steel Ball	1	
42		Parallel Pin	2	
43		O - Ring	3	
E.		Motor Sub Ass`y	1	
E..		Linder - Block and Piston Kit	1	
E...		Piston Kit	1	

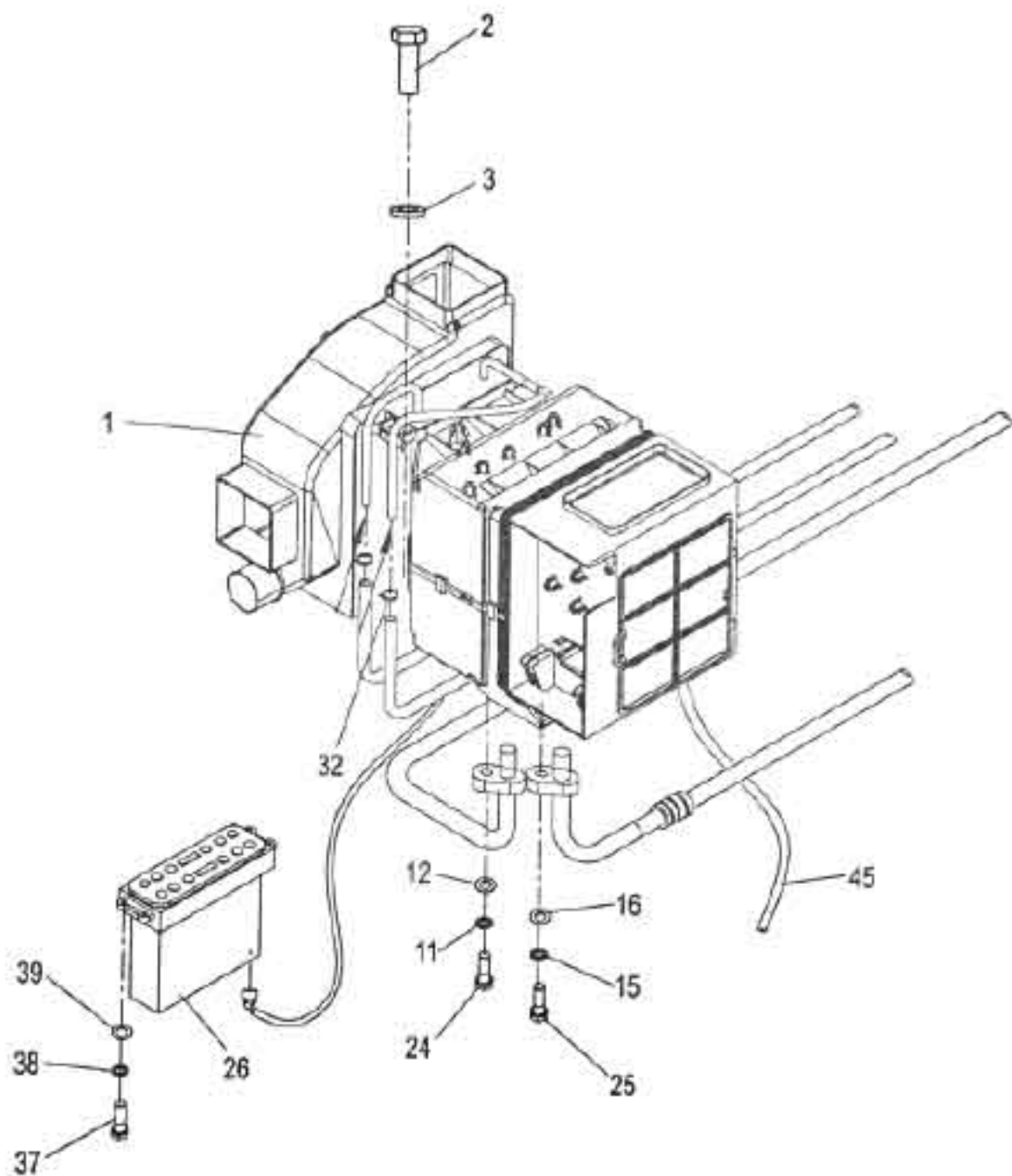


Travel Motor and Reduction Gear				
Index	Part Code	Description and Specification	Q`TY	Remarks
A..		Piston Ass`y	9	
105		Piston	1	
106		Shoe	1	
104		Cylinder Block	1	
107		Retain	1	
108		Thrust - Ball	1	
110		Washer	2	
111		Collar	1	
114		Spring	1	
145		Retaining - Ring	1	
151		Needle - Roller	5	
B..		Piston	1	
161		Piston	1	
162		Shoe	1	
102		Shaft	1	
103		Swash - Plate	1	
109		Timing - Plate	1	
112		Piston	1	
113		Spring	12	
115		Friction - Plate	2	
116		Mating Plate	3	
132		Oil - Seal	1	
135		O - Ring	1	
139		O - Ring	1	
149		Deep Groove Ball - Bearing	1	
150		Deep Groove Ball - Bearing	1	
167		Pivot	2	
171		Parall - Pin	2	
193		Spring	1	
C.		Relief - Valve	2	
A..		Valve Kit	1	
201		Valve	1	
202		Sleeve	1	
203		Spring - Retainer	1	
204		Plug	1	
205		Shim	1	
206		Spring	1	
208		O - Ring	1	
209		O - Ring	1	
210		O - Ring	1	

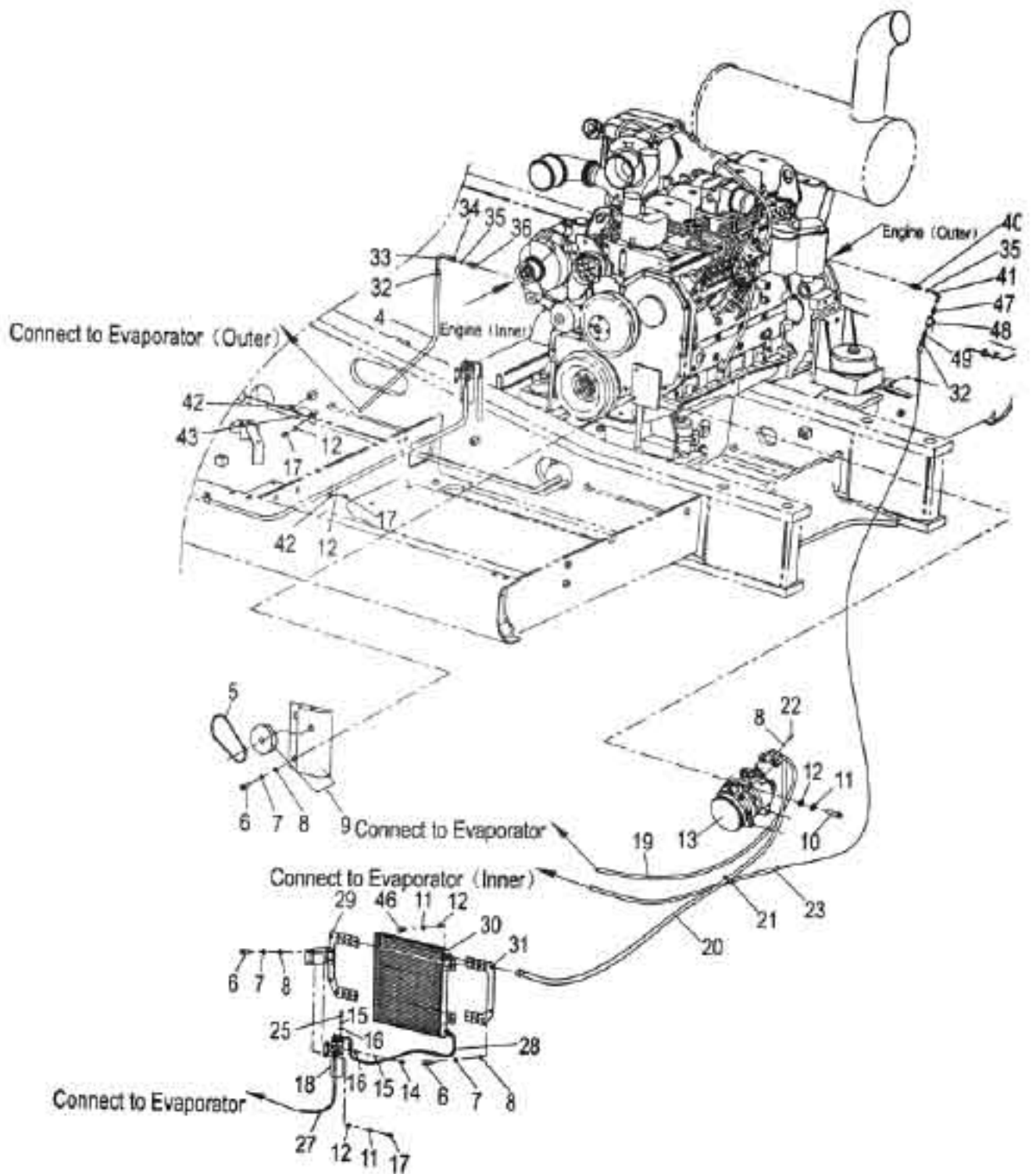


Travel Motor and Reduction Gear				
Index	Part Code	Description and Specification	Q' TY	Remarks
211		Back Up - Ring	2	
217		Back Up - Ring	2	
219		O - Ring	1	
220		Piston Seal	1	
D.		Control Valve Ass'y	1	
A..		Rear - Flange Ass'y	1	
A...		Rear - Flange Kit	1	
301		Rear Flange	1	
323		Spool	1	
281		Piston	1	
324		Plug	2	
325		Stopper	2	
326		Plug	2	
327		Valve	2	
328		Spring	2	
330		Spring	2	
336		O - Ring	2	
337		O - Ring	2	
346		Hex.Socket Plug	2	
352		Hex.Socket Plug	2	
354		Hex.Socket Head Bolt	7	
355		O - Ring	2	
357		Hex.Socket Plug	2	
358		O - Ring	2	
359		O - Ring	2	
363		Spool	1	
366		Spring	1	
368		Steel Ball	2	
379		Filter	1	
380		Plug	2	
382		Plug	2	
383		O - Ring	2	
384		O - Ring	2	
385		Steel Ball	2	
397		Filter	1	
398		Hex.Socket Plug	4	
399		Name Plate	1	
341		Parallel - Pin	1	
343		Bolt	12	

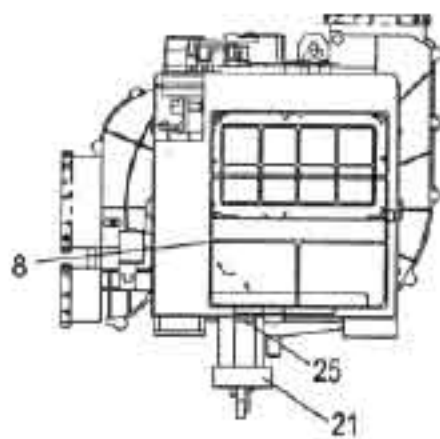
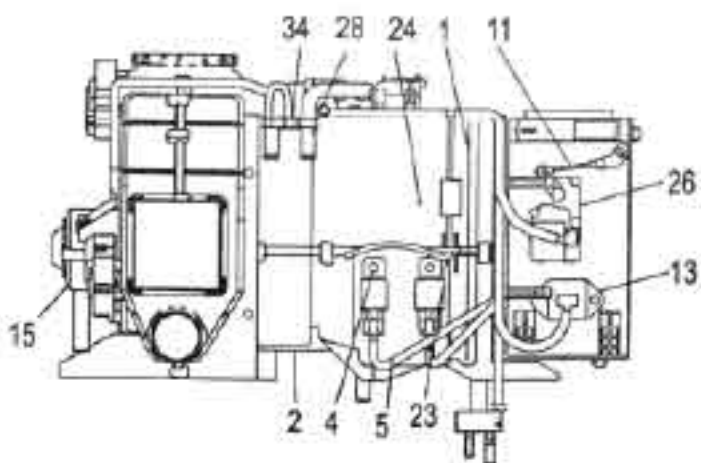
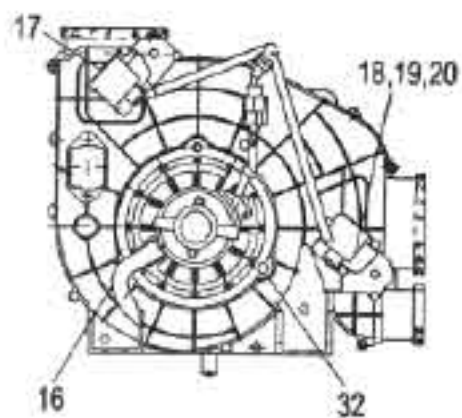
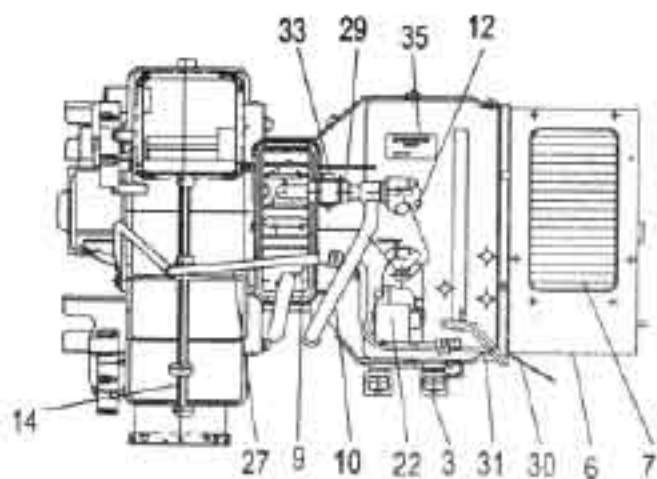
AIR CONDITION SYSTEM



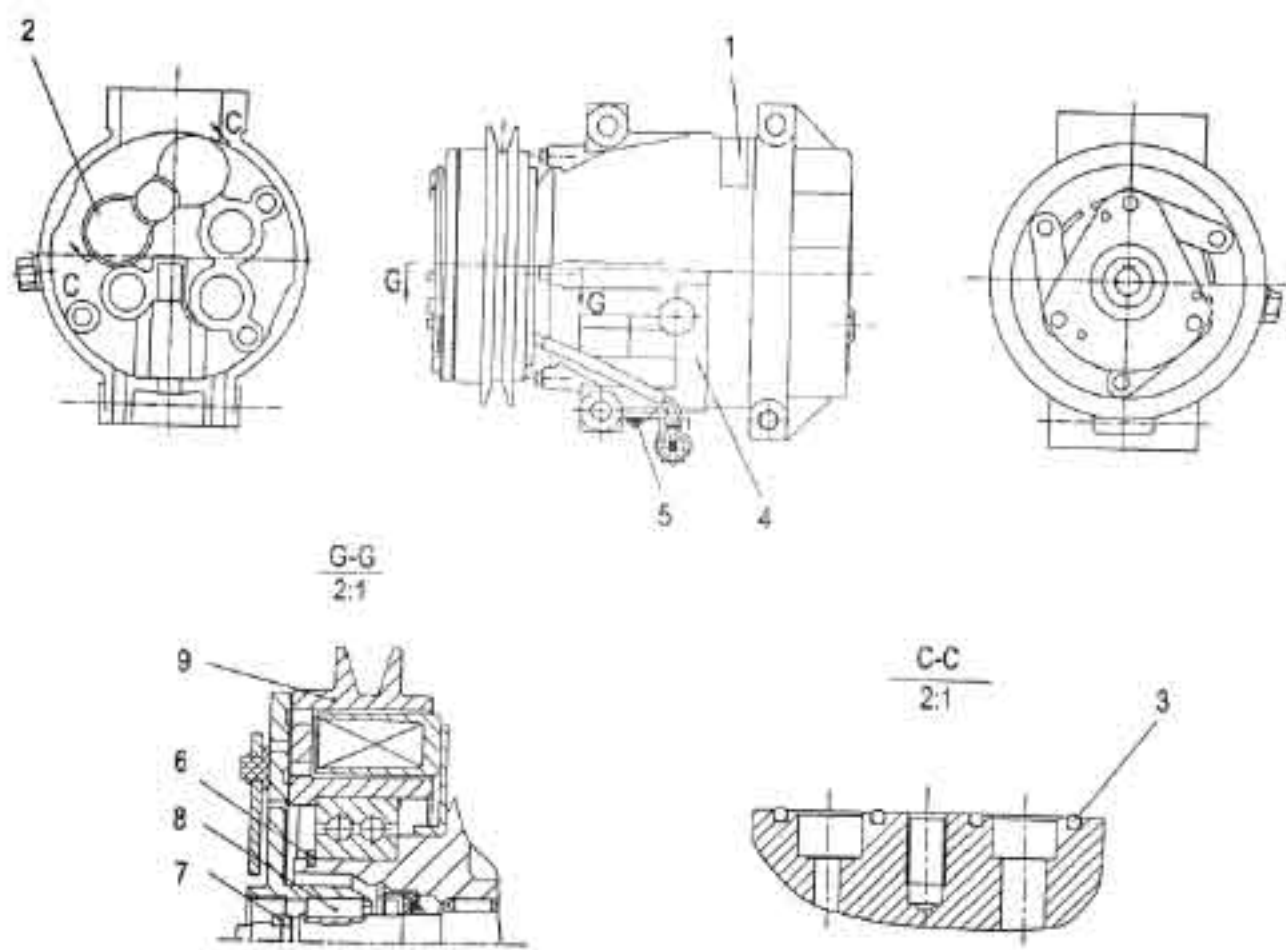
Air Condition System				
Index	Part Code	Description and Specification	Q`TY	Remarks
1		Evaporator	1	
2		M12 X 35 - 8.8, Bolt	4	GB/T5783-2000
3		12 - 35 - 45HRC, Washer	4	GB/T1230-2006
4		Hose	1	
5		Triangle Belt	1	
6		M10 X 25 - 8.8, Bolt	6	GB/T5783-2000
7		10, Washer	6	GB/T93-1987
8		10 - 200HV, Washer	7	GB/T97.1-2002
9		Pulley	1	
10		M8 X 90, Bolt	1	
11		8, Washer	9	GB/T93-1987
12		8 - 200HV, Washer	13	GB/T97.1-2002
13		Compressor	1	
14		M6 X 20 - 8.8, Bolt	1	GB/T5783-2000
15		6, Washer	4	GB/T93-1987
16		6 - 200HV, Washer	4	GB/T97.1-2002
17		M8 X 20 - 8.8, Bolt	5	GB/T5783-2000
18		Liquid Storage	1	
19		Hose	1	
20		Hose	1	
21		Nylon Band	20	
22		M10 X 35 - 8.8, Bolt	1	GB/T5783-2000
23		Hose	1	
24		M8 - 8, Nut	1	GB/T6170-2000
25		M6 - 8, Nut	3	GB/T6170-2000
26		Panel	1	
27		Hose	1	
28		Hose	1	
29		Bracket	1	
30		Condenser	1	



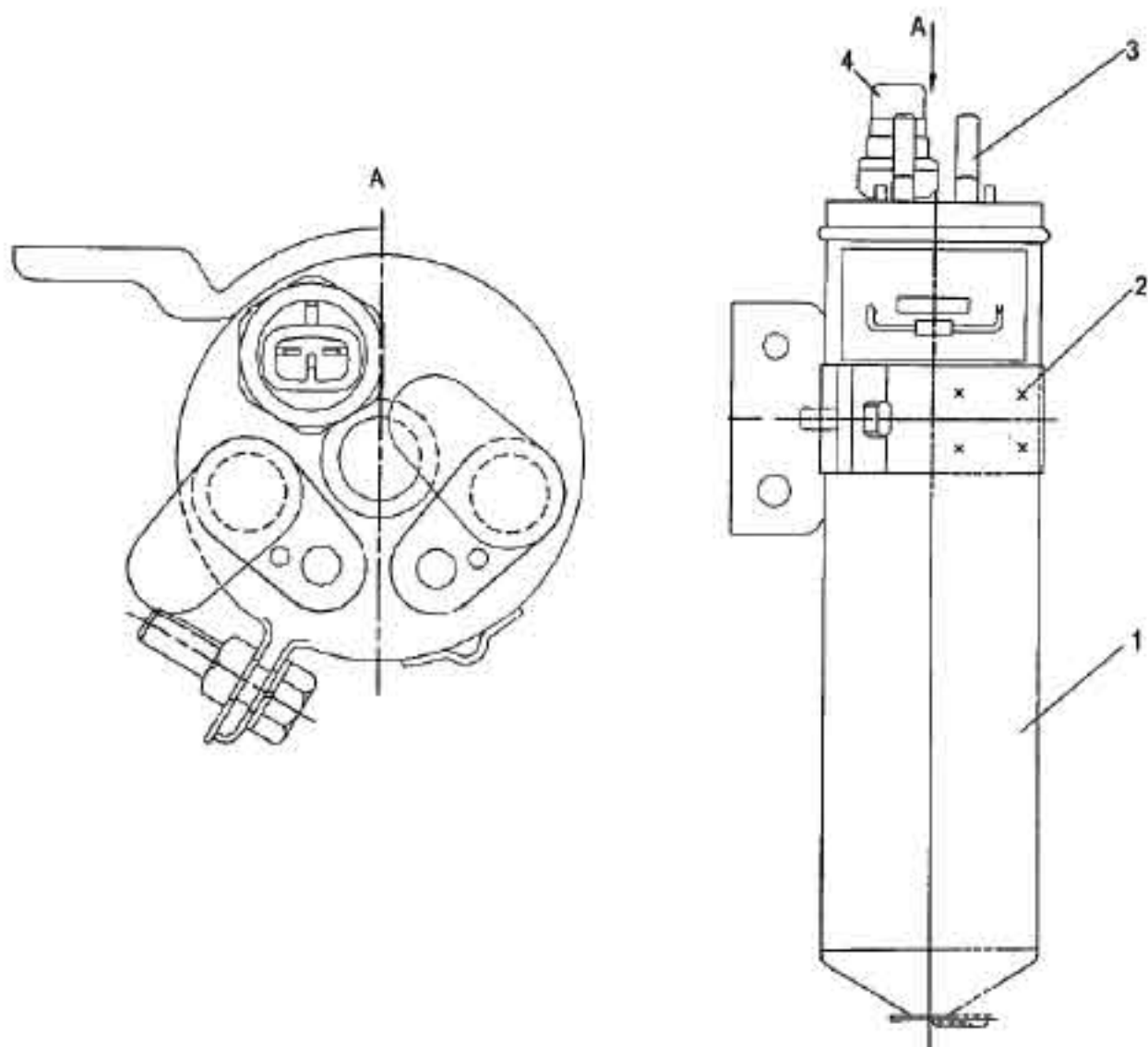
Air Condition System				
Index	Part Code	Description and Specification	Q`TY	Remarks
31		Bracket	1	
32		Hoop	4	
33		Syphon	1	
34		M22 X 1.5 - 8.8, Nut	2	JB/T981-1977
35		O - Ring	2	
36		Nipple	1	
37		M5 X 20 - 4.8, Bolt	4	GB/T818-2000
38		5, Washer	4	GB/T93-1987
39		5 - 140HV, Washer	4	GB/T97.1-2002
40		Nipple	1	
41		Nipple	1	
42		Clamp	2	
43		Clamp	2	
44		Clamp	2	
45		Hose	1	
46		M8 X 25 - 8.8, Bolt	4	GB/T5783-2000
47		Nipple	1	
48		Ball Valve	1	
49		Nipple	1	



Air Condition System				
Index	Part Code	Description and Specification	Q`TY	Remarks
1		Hvac Case Upp Assy	1	
2		Hvac Case Upp Assy	1	
3		Relay	2	
4		M4 X 12L, Crew Tap T.H	2	
5		Insu Low	1	
6		E Case Assy	1	
7		Fre Air Filter	1	
8		Rec Air Filter	1	
9		H / Rad Set	1	
10		Valve Assy	1	
11		Intake Rod	1	
12		M4 X 12L, Screw Tap T.H	1	
13		Ressistor Assy	1	
14		Blower Case Assy	1	
15		Fan and Mntor Assy	1	
16		Hose Drain	1	
17		M / Act Assy - Vent	1	
18		M / Act Assy - Def / Foot	1	
19		M / Act Assy - Temp	1	
20		M / Act Assy - Intake	1	
21		Evap Core Assy	1	
22		Core Ass`y - Lami	1	
23		Exp. V / V Assy	1	
24		Cap Flange	1	
25		Side Plate	1	
26		Sensor - Duct	1	
27		Wiring Assy	1	
28		H / Rad Pipe Clamp	1	
29		Water Hose	1	
30		Wire Holder	6	
31		Clip Hase	9	
32		Screw Tap T.H	3	
33		Hose Clamp Ass`y	1	
34		M4 X 12L, Screw Tap T.H	28	
35		Name Plate	1	

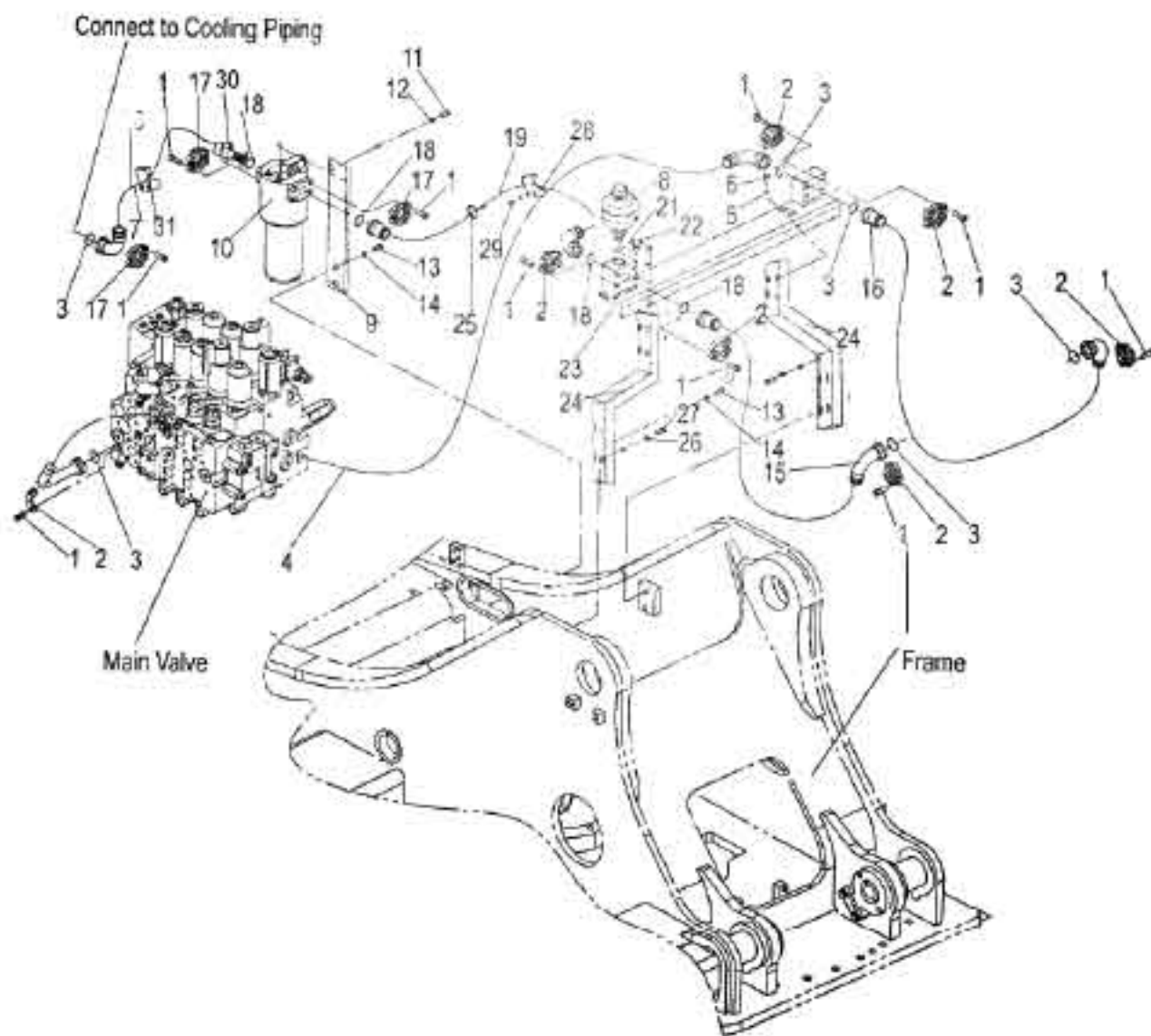


Air Condition System				
Index	Part Code	Description and Specification	Q`TY	Remarks
1		Name Plate	1	
2		S / D Gas Cover	1	
3		O - Ring	2	
4		Commpressor Assy	1	
5		M5 X 6, Bolt and Spring Assy	1	GB/T9074.7-1988
6		Bolt and Spring Assy	1	
7		Nut	1	
8		Bolt	1	
9		Clutch Assy	1	

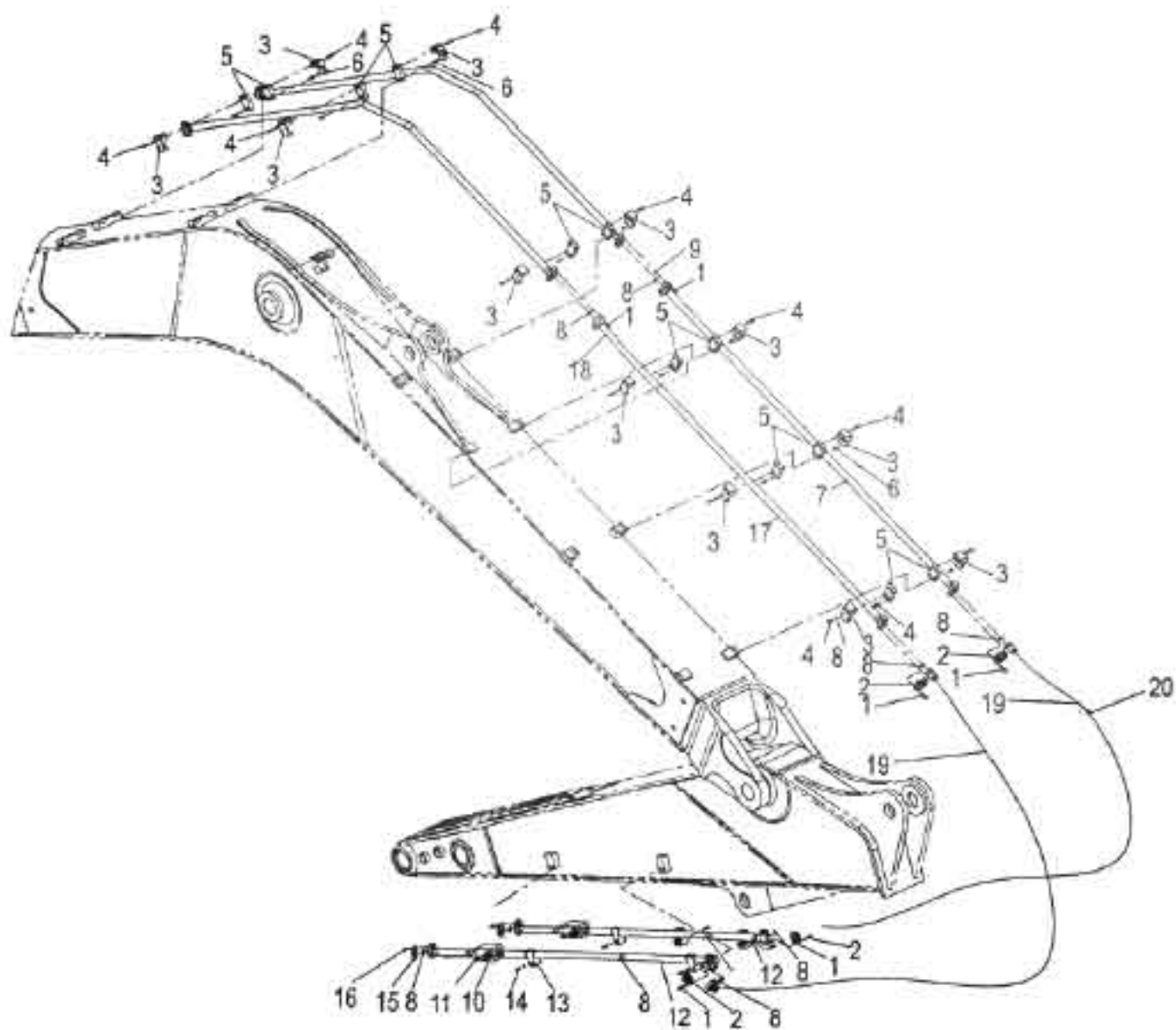


Reservoir				
Index	Part Code	Description and Specification	Q`TY	Remarks
1		R / Drier Assy	1	
2		Brkt - R / D Mtg Assy	1	
3		Bolt and S / W.P / W Assy	1	
4		Pressure S / W	1	

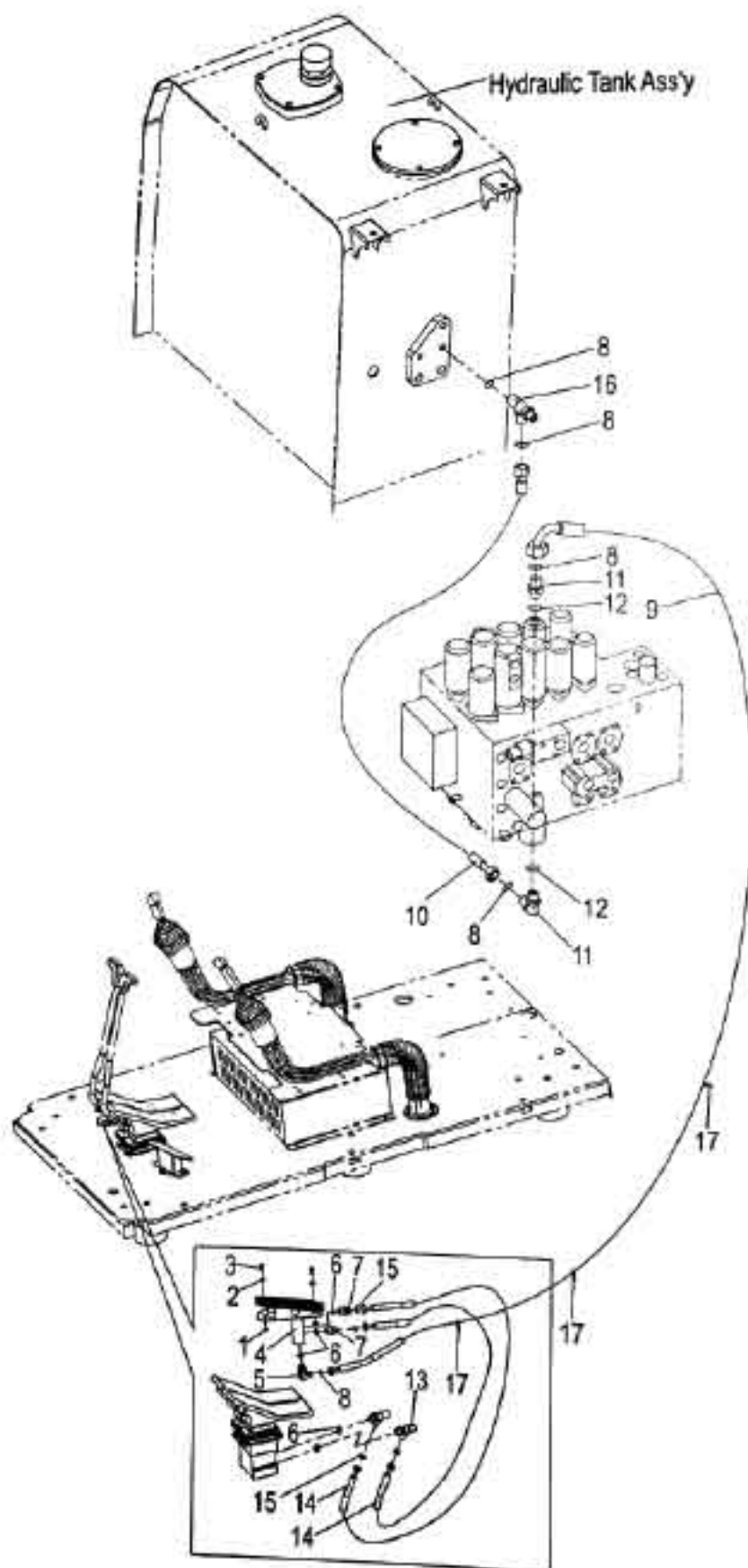
HYDRAULIC HAMMER LINE



Hidraulic Breaker Piping				
Index	Part Code	Description and Specification	Q`TY	Remarks
1		M10 X 35 - 10.9, Bolt	30	GB/T70.1-2008
2		Flange	6	
3		? 32.92 x 3.53, O - Ring	8	
4		Hose	1	
5		12 - 300HV, Washer	8	GB/T97.1-2002
6		M12 X 35 - 10.9, Bolt	8	GB/T5783-2000
7		M10 X 35 - 10.9, Bolt	6	GB/T32.1-1988
8		Accumulator	1	
9		Bracket	1	
10		Filter	1	
11		M10 X 35 - 10.9, Bolt	3	GB/T5783-2000
12		10 - 35 - 45HRC, Washer	2	GB/T1230-2006
13		M16 X 50 - 10.9, Bolt	2	GB/T5783-2000
14		16 - 35 - 45HRC, Washer	2	GB/T848-2002
15		Hose	1	
16		Hose	1	
17		Flange	4	
18		? 37.69 X 3.53, O - Ring	4	
19		Hose	1	
20		Hose	1	
21		? 19.3 X 2.4, O - Ring	1	
22		Bolt	1	
23		Bracket	1	
24		Bracket	2	
25		? 19.3 X 2.4, O - Ring	1	
26		Washer	22	
27		M12 X 35 - 10.9, Bolt	8	GB/T5783-2000
28		Clip	1	
29		M6 X 60 - 8.8, Bolt	2	GB/T70.1-2000
30		Nipple	1	
31		Clip	1	



Hidraulic Breaker Piping				
Index	Part Code	Description and Specification	Q`TY	Remarks
1		M10 X 35 - 10.9, Bolt	30	GB/T70.1-2008
2		Flange	6	
3		Clip	15	
4		M10 X 40 - 10.9, Bolt	24	GB/T70.1-2008
5		Plate	10	
6		M12 X 50 - 10.9, Bolt	26	GB/T70.1-2000
7		Tube	1	
8		? 34.7 X 3.5, O - Ring	8	
9		Tube	2	
10		High Pressure Ball Valve	2	
11		M6 X 60 - 8.8, Bolt	8	GB/T70.1-2000
12		Tube	2	
13		Flange	4	
14		M10 X 90 - 10.9, Bolt	8	GB/T70.1-2008
15		Plate	2	
16		M12 X 40 - 10.9, Bolt	8	GB/T70.1-2008
17		Tube	2	
18		Tube	2	GB/T70.1-2008
19		Tube	1	
20		? 32.92 X 3.53, O - Ring		



Hidraulic Breaker Pilot Piping				
Index	Part Code	Description and Specification	Q`TY	Remarks
1		M10 - 10, Nut	2	GB/T6170-2000
2		10 - 300HV, Washer	2	GB/T97.1-2002
3		M10 X 30 - 10.9, Bolt	2	GB/T5783-2000
4		Pilot Valve	1	
5		Nipple	1	
6		? 10.8 X 2.4, O - Ring	5	
7		Nipple	2	
8		? 6.5 X 1.5, O - Ring	5	
9		Hose	1	
10		Hose	1	
11		Nipple	2	
12		? 13.8 X 2.4, O - Ring	2	
13		Nipple	2	
14		Hose	2	
15		? 8.0 X 1.5, O - Ring	4	
16		Nipple	1	
17		Nylon Band	3	

MICHIGAN[®]

