

CATALOGO DE MOTOR

CARGADORA | **MP45 II**

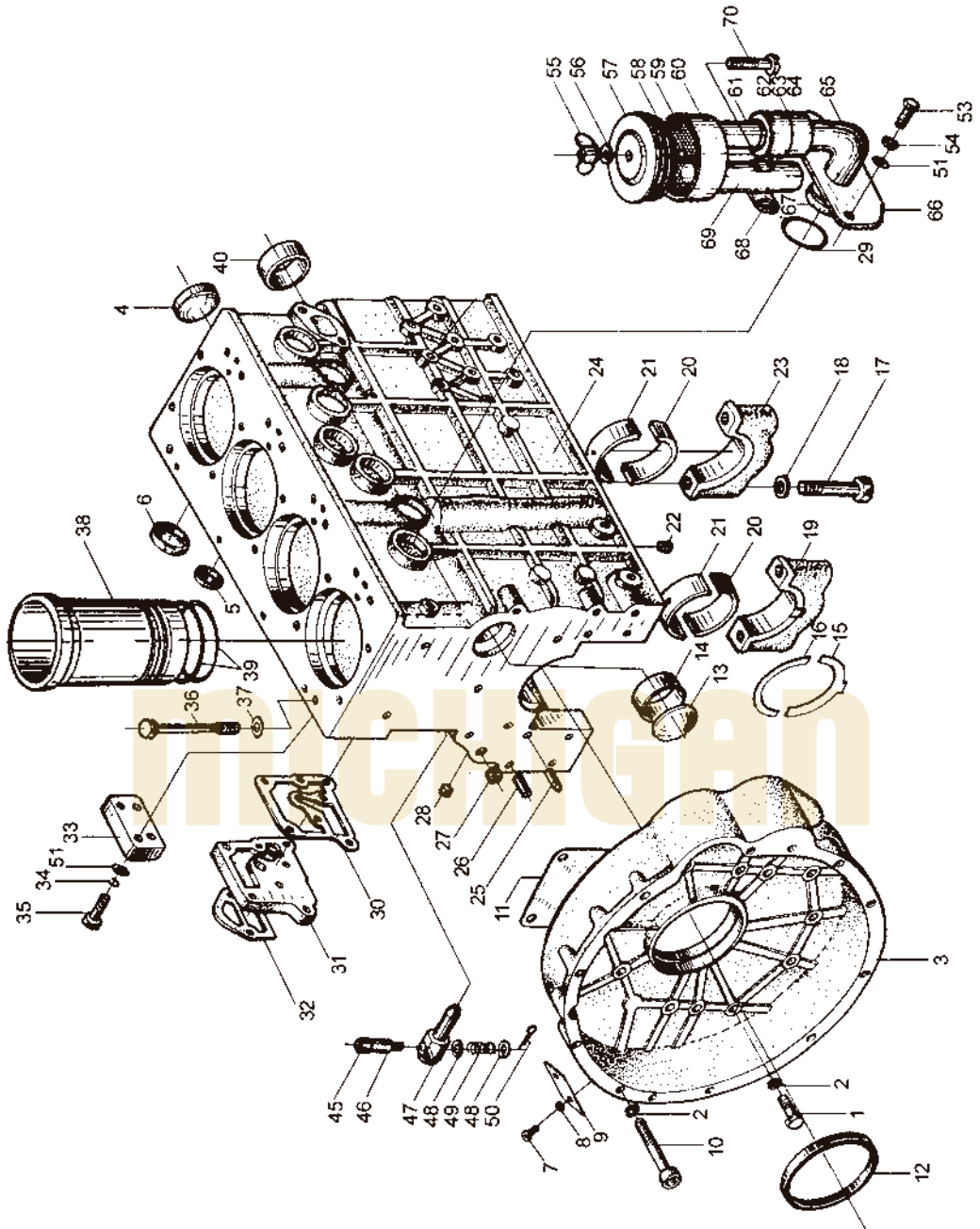


MICHIGAN

Contents

Body assembly and accessory	2
Cylinder head and gas exchanging system assembly	6
Cylinder head and gas exchanging system assembly	10
Oil sump assembly	14
Piston connecting rod assembly	16
Crankshaft flywheel assembly	18
Timing gear train assembly	20
Cylinder head cover assembly	23
Cylinder head cover assembly	25
Oil pump and oil pipe assembly	27
Cooling water pump and fan assembly	29
Fuel supply system assemb	32
Fuel supply system assemb	34
Fuel pump assembly	36
Governor	40
Starting motor assembly	45
Charging generator assembly	47
Oil filter assembly	49

Body assembly and accessory



Body assembly and accessory

No.	Part No.	Name	Q'ty	Remark
1	GB/T5783-2000	Bolt M12×32	4	
2	GB/T93-1987	Spring washer 12	8	
3	490BT-13001	Flywheel housing	1	
4	495BT-01047	Plug 50	1	
5	490B-01078	Plug 30	4	
6	490B-01079	Plug 40	3	
7	GB/T67-2000	Screw M6×10	2	
8	GB/T93-1987	Spring washer 6	2	
9	490B-13003	Cover,inspection hole	1	
10	GB/T70-1985	Screw M12×90	2	
11	490BT-13004	Shim	1	
12		Oil seal 100×125×12	1	
13	490B-01009	Plug 58	1	
14	490B-01008	Rear camshaft bushing	1	
15	490B-01022A	Lower thrust bearing	2	490BT、A490BT
	495B-01022A	Lower thrust bearing	2	B490BT、C490BT
16	490B-01026A	Upper thrust bearing	2	490BT、A490BT
	495B-01026A	Upper thrust bearing	2	B490BT、C490BT
17	490B-01019A	Bolt	10	
18	490B-01018	Washer	10	
19	490B-01023	Rear bearing cap	1	490BT、A490BT
	495B-01023A	Rear bearing cap	1	B490BT、C490BT
20	495B-01033A	Main bearing,lower half	5	B490BT、C490BT
	490B-01033	Main bearing,lower half	5	490BT、A490BT

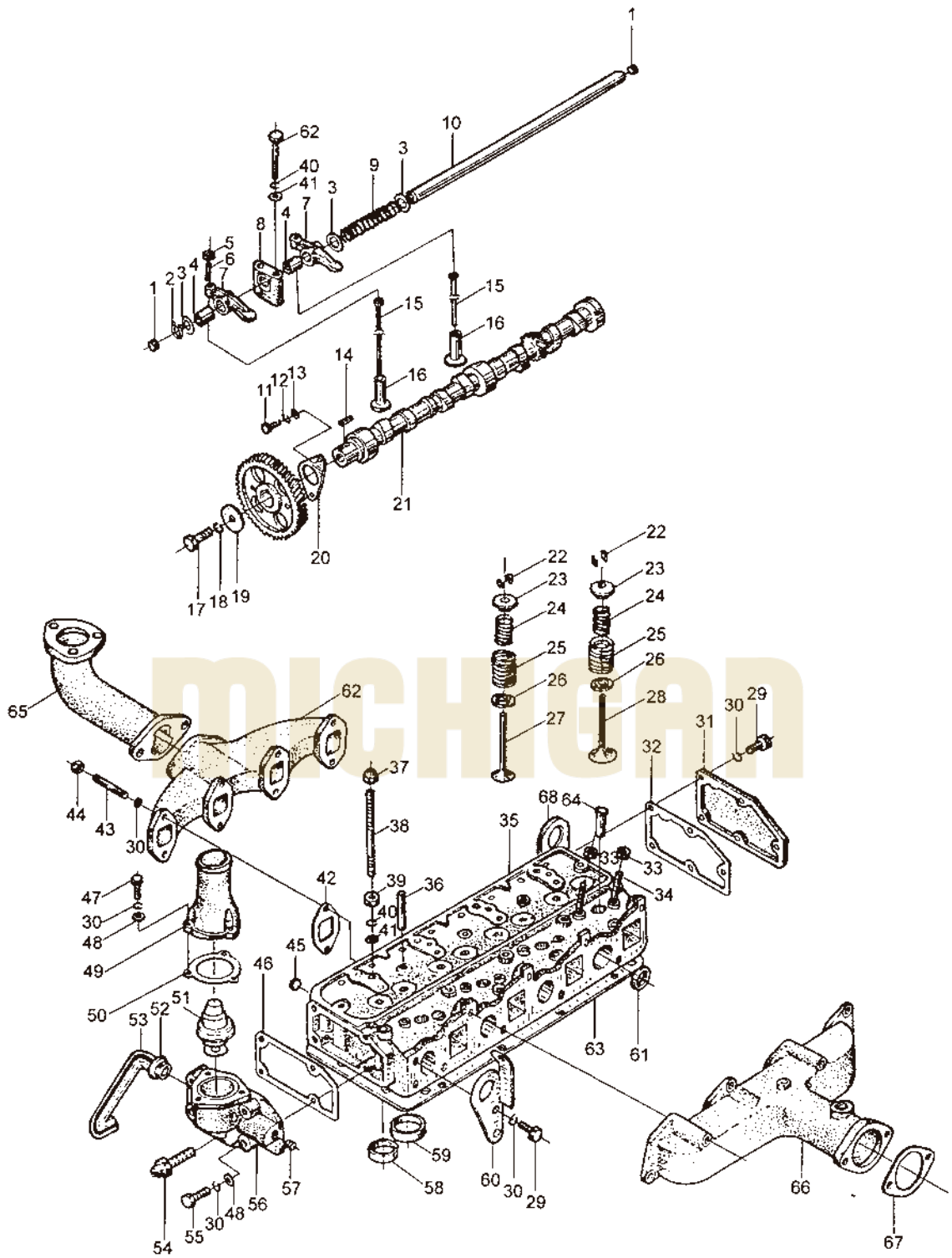
Body assembly and accessory

No.	Part No.	Name	Q'ty	Remark
21	495B-01034A	Main bearing,upper half	5	B490BT ,C490BT
	490B-01034	Main bearing,upper half	5	490BT ,A490BT
22	490B-01027	Plug	1	
23	490B-01032	Main bearing cover	4	490BT ,A490BT
	495B-01032A	Main bearing cover	4	B490BT ,C490BT
24	490B-01001	Cylinder block	1	490BT ,A490BT
	B490B-01001	Cylinder block	1	B490BT ,C490BT
25	GB/T119.2-2000	Pin B8×20	2	
26	GB/T119.2-2000	Pin B10×24	2	
27	490B-01080	Plug 15	2	
28	490B-01029	Plug R1/8	6	
29	490B-34009	O-ring	1	
30	490B-01071	Oil filter gasket	1	
31	490B-01072	Oil filter back plate	1	
32	490B-01073	Gasket	1	
33	490B-01076B	Fuel filter back plate	1	
34	GB/T93-1987	Spring washer 8	11	
35	GB/T5783-2000	Bolt M8×22	4	
36	490B-01002	Bolt	14	
	490B-01003	Bolt	4	
37	490B-01044	Washer for cylinder head bolt	18	
38	490B-01005	Cylinder liner	4	490BT ,A490BT
	B490B-01005	Cylinder liner	4	B490BT ,C490BT
39	490B-01006	Water seal	8	
40	490B-01007	Camshaft bushing	2	
45	485-01103A	Drain cock core	1	
46	485-01101	Drain cock handle	1	

Body assembly and accessory

No.	Part No.	Name	Q'ty	Remark
47	495B-01102	Valve body	1	
48	GB/T848-1985	Washer 6-140HV	2	
49	490B-01104	Spring	1	
50	GB/T91-2000	Pin 1.6×12	1	
53	GB/T5783-2000	Bolt M8×16	2	
54	GB/T5783-2000	Bolt M8×30	5	
55	GB/T62-1988	Nut M6	1	
56	GB/T97.1-1985	Washer 6-140HV	1	
57	490B-34005	Upper cover,air intake	1	
58	490B-34008	Seal ring	1	
59		Filter (I)	1	
60	490B-34006	Lower parts of breath	1	
61	490B-34013	Air vent (II)	1	
62	490B-34010	Transition pipe	2	
63	490B-34011	Strut	1	
64		Filter (II)	1	
65	490B-34012	Air vent (III)	1	
66	495B-34003	Plate	1	
67	495B-34004	Inlet drivepipe	1	
68	490B-34002A	Fixed plate	1	
69	495B-34007	Air vent (I)	1	
70	GB/T67-2000	Screw M6×50	1	

Cylinder head and gas exchanging system assembly



Cylinder head and gas exchanging system assembly

No.	Part No.	Name	Q'ty	Remark
1	490B-03018	Plug 12	2	
2	GB894.1-86	Snap ring 20	2	
3	GB848-85	Washer 20	8	
4	490B-03212A	Valve rocker arm bushing	8	
5	GB6171-86	Nut M8×1	8	
6	490B-03201	Adjusting screw for valve clearance	8	
7	490B-03211A	Valve rocker arm	8	
8	490B-03202	Seat	4	
9	490B-03203	Spring	3	
10	490B-03204	Shaft	1	
11	GB5783-86	Bolt M8×18	9	
12	GB93-87	Spring washer	17	
13	GB97.1-85	Washer 8	2	
14	GB1096-79	Key C8×22	1	
15	490B-06003	Push rod	8	490BT
	B490B-06003	Push rod	8	B490BT
16	490B-06002	Push tappet	8	
17	GB5782-86	Bolt M12×45	1	
18	GB93-87	Spring washer 12	1	
19	490B-02011	Stopping plate for camshaft timing gear	1	
20	490B-02008	Thrust plate for camshaft	1	
21	495B-06001	Camshaft	1	
22	490B-03006	Split valve retainer	16	
23	490B-03007	Valve spring seat ,upper	8	
24	490B-03005	Valve spring,inner	8	

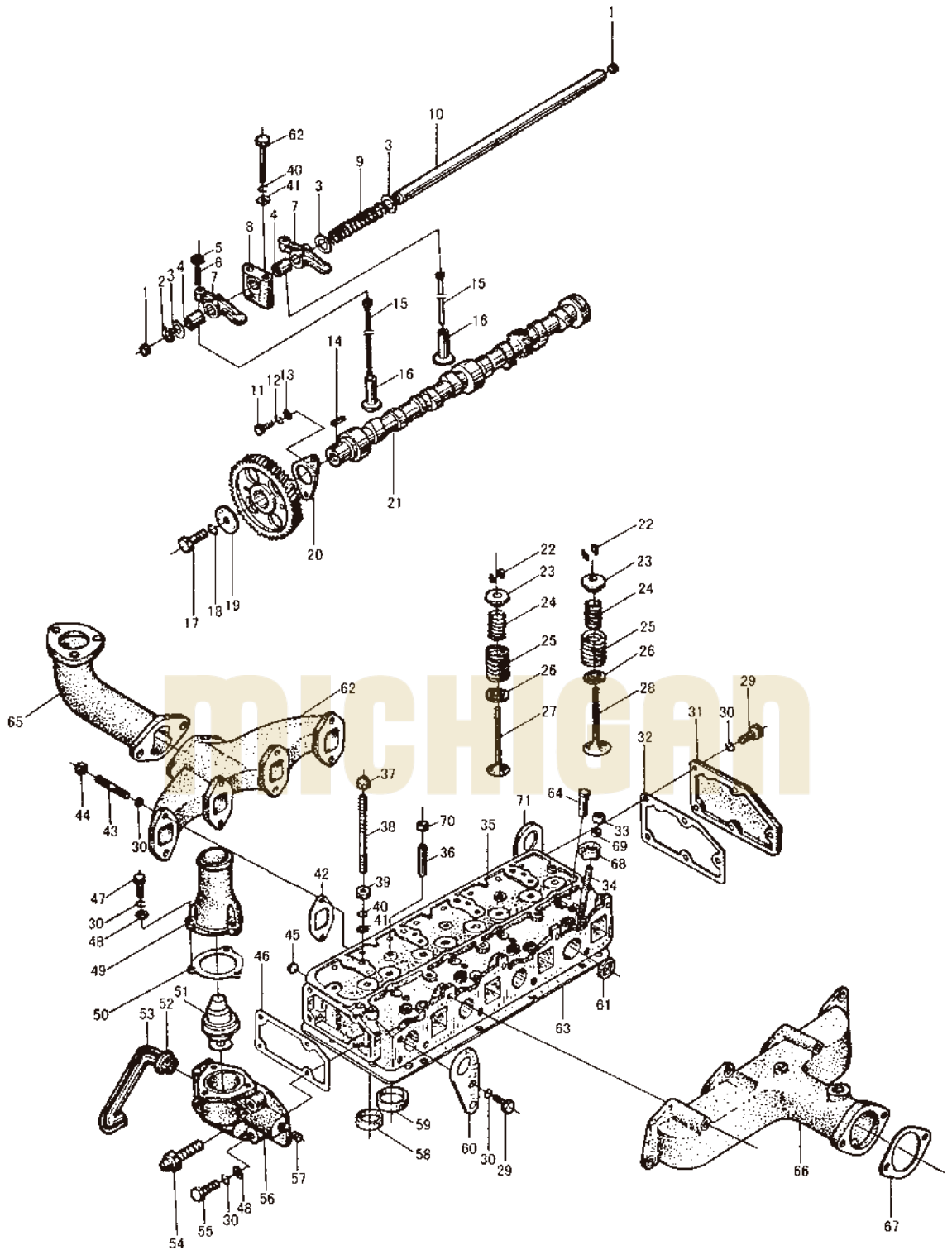
Cylinder head and gas exchanging system assembly

No.	Part No.	Name	Q'ty	Remark
25	490B-03004	Valve spring,outer	8	
26	490B-03011	Lower seat, valve spring	8	
27	490B-03015	Exhaust valve	4	
28	490B-03014	Intake valve	4	
29	GB5783-86	Bolt M8×20	4	
30	GB93-87	Spring washer 8	17	
31	490B-03012	Rear cover	1	
32	490B-03013A	Gasket	1	
33	GB56-88	Nut M8	8	
34	GB899-88	Stud AM8-M8×50	8	
35	490B-03101	Cylinder head	1	
36	490B-03102	Valve guide	8	
37	GB923-88	Nut M8	4	
38	490B-03001A	Bolt	4	
39	GB6170-86	Nut M10	4	
40	GB93-87	Spring washer 10	4	
41	GB97.1-85	Washer 10	4	
42	490B-03003	Gasket	4	
43	GB899-88	Stud AM8-M8×25	8	
44	GB6170-86	Nut M8	8	
45	490B-03103	Plug	1	
46	490B-43005	Thermostat gasket	1	
47	GB5783-86	Bolt M8×25	3	
48	GB97.1-85	Washer 8	7	

Cylinder head and gas exchanging system assembly

No.	Part No.	Name	Q'ty	Remark
49	490B-43001	Thermostat cover	1	
50	490B-43003	Thermostat cover gasket	1	
51	490B-43002	Thermostat	1	
52	490B-01074	Pipe	1	
53	490BT-43007	Water pipe	1	
54	490B-43009	Water temperature transducer	1	
55	GB5782-86	Bolt M8×35	4	
56	490B-43101	Thermostat housing	1	
57	490B-43008	Plug NPT3/8	1	
58	490B-03108	Exhaust valve seat	4	
59	490B-03107	Intake valve seat	4	
60	490BT-0300	Fixing bracket	1	
61	490B-01078	Pulg 30		
62	490BT-08001	Exhaust pipe	1	
63	490B-01004	Gasket	1	
64	490B-03109	Sleeve tube	4	
65	490BT-08003	Elbow	1	
66	490BT-09002	Intake pipe	1	
67	490BT-09004	Intake manifold gasket	1	
68	490B-03009A	Hoisting bracket	1	

Cylinder head and gas exchanging system assembly



Cylinder head and gas exchanging system assembly

No.	Part No.	Name	Q'ty	Remark
1	490B-03018	Plug 12	2	
2	GB/T894.1-1986	Snap ring 20	2	
3	GB/T848-1985	Washer 20	8	
4	490B-03212A	Valve rocker arm bushing	8	
5	GB/T6171-2000	Nut M8×1	8	
6	490B-03201	Adjusting screw for valve clearance	8	
7	490B-03211A	Valve rocker arm	8	
8	490B-03202	Seat	4	
9	490B-03203	Spring	3	
10	490B-03204	Shaft	1	
11	GB/T5783-2000	Bolt M8×18	9	
12	GB/T93-1987	Spring washer	17	
13	GB/T97.1-1985	Washer 8	2	
14	GB/T1096-1979	Key C8×22	1	
15	490B-06003	Push rod	8	A490BT
	B490B-06003	Push rod	8	C490BT
16	490B-06002	Push tappet	8	
17	GB/T5782-2000	Bolt M12×45	1	
18	GB93-87	Spring washer 12	1	
19	490B-02011	Stopping plate for camshaft timing gear	1	
20	490B-02008	Thrust plate for camshaft	1	
21	495B-06001	Camshaft	1	
22	490B-03006	Split valve retainer	16	
23	490B-03007	Valve spring seat ,upper	8	
24	490B-03005	Valve spring,inner	8	

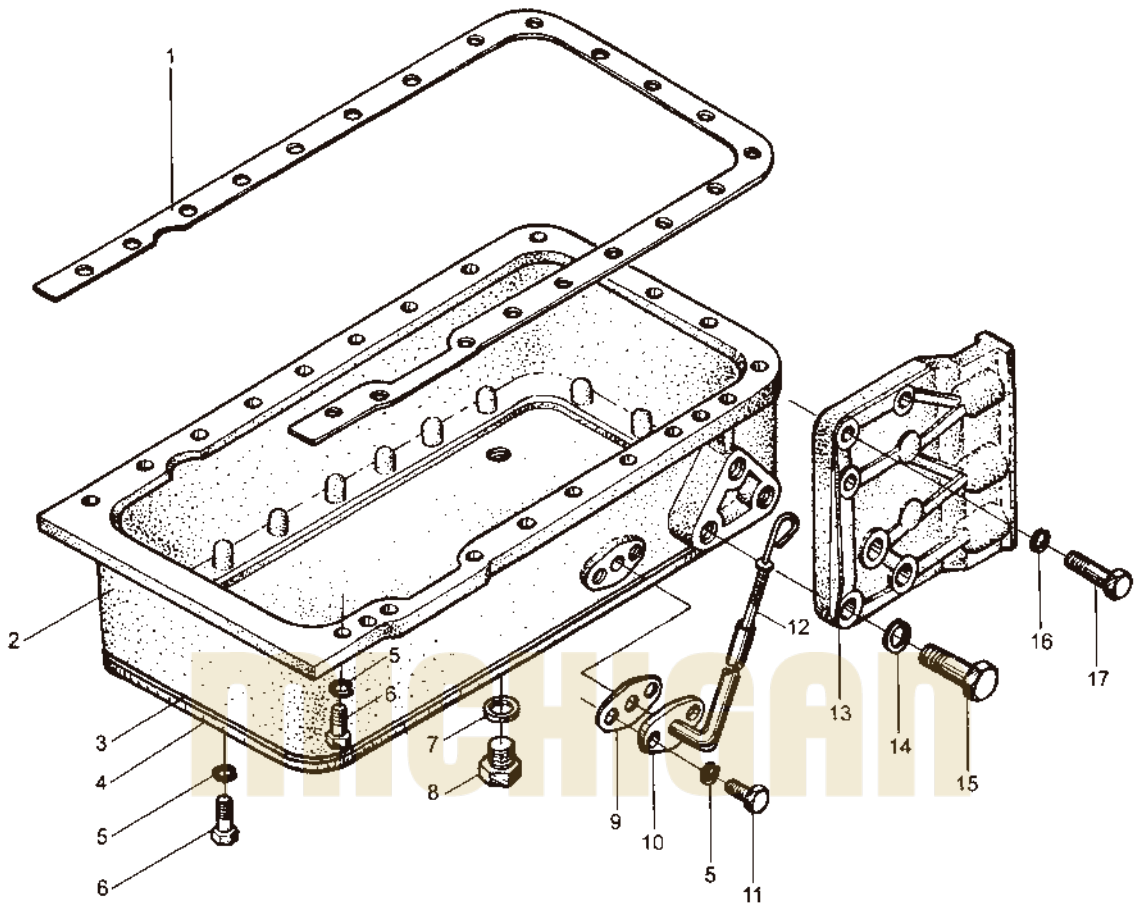
Cylinder head and gas exchanging system assembly

No.	Part No.	Name	Q'ty	Remark
25	490B-03004	Valve spring,outer	8	
26	490B-03011	Lower seat, valve spring	8	
27	490B-03015	Exhaust valve	4	
28	490B-03014	Intake valve	4	
29	GB/T5783-2000	Bolt M8×20	4	
30	GB/T93-1987	Spring washer 8	17	
31	490B-03012	Rear cover	1	
32	490B-03013A	Gasket	1	
33	GB/T56-1988	Nut M8	8	
34	GB/T899-1988	Stud AM8-M8×50	8	
35	A490B-03101	Cylinder head	1	A490BT
	A490B-03101A	Cylinder head	1	C490BT
36	490B-03102	Valve guide	8	
37	GB/T923-1988	Nut M8	4	
38	A498B-03001	Bolt	4	
39	GB/T6170-2000	Nut M10	4	
40	GB/T93-1987	Spring washer 10	4	
41	GB/T97.1-1985	Washer 10	4	
42	490B-03003	Gasket	4	
43	GB/T899-1988	Stud AM8-M8×25	8	
44	GB/T6170-2000	Nut M8	8	
45	490B-03103	Plug	1	
46	490B-43005	Thermostat gasket	1	
47	GB/T5783-2000	Bolt M8×25	3	

Cylinder head and gas exchanging system assembly

No.	Part No.	Name	Q'ty	Remark
48	GB/T97.1-1985	Washer 8	7	
49	490B-43001	Thermostat cover	1	
50	490B-43003	Thermostat cover gasket	1	
51	490B-43002	Thermostat	1	
52	490B-01074	Pipe	1	
53	490BT-43007	Water pipe	1	
54	490B-43009	Water temperature transducer	1	
55	GB/T5782-2000	Bolt M8×35	4	
56	490B-43101	Thermostat housing	1	
57	490B-43008	Plug NPT 3/8	1	
58	490B-03108	Exhaust valve seat	4	
59	490B-03107	Intake valve seat	4	
60	490BT-03300	Fixing bracket	1	
61	490B-01078	Pulg 30		
62	490BT-08001	Exhaust pipe	1	
63	490B-01004	Gasket	1	
64	A490B-03109	Sleeve tube	4	
65	490BT-08003	Elbow	1	
66	490BT-09002	Intake pipe	1	
67	490BT-09004	Intake manifold gasket	1	
68	A490B-03016	Press plate	4	
69	GB/T849-1988	Washer M10	4	
70	A490BZL-03016	Oil seal	8	
71	490B-03009A	Hoisting bracket	1	

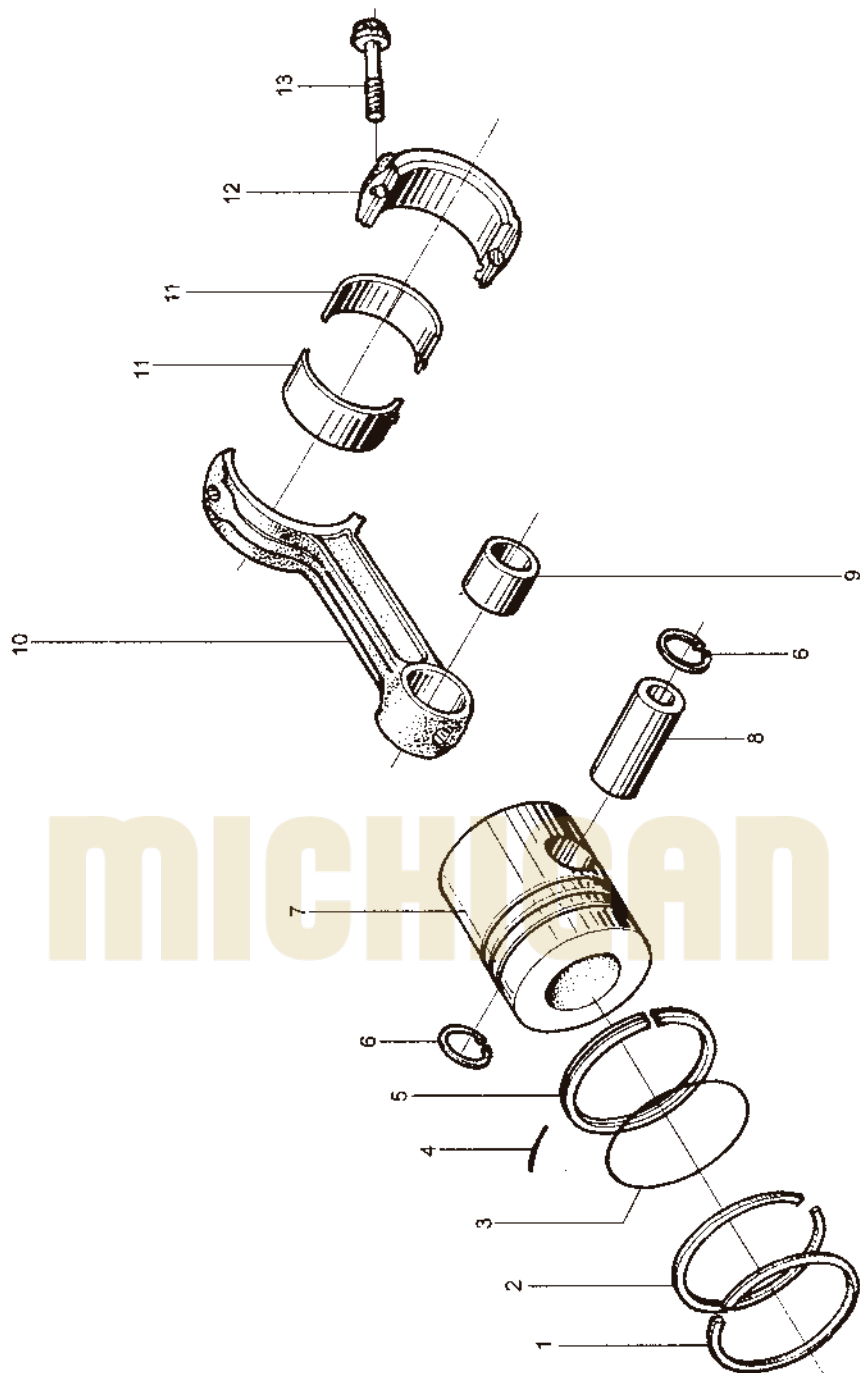
Oil sump assembly



Oil sump assembly

No.	Part No.	Name	Q'ty	Remark
1	490BT-07002A	Oil sump gasket	1	
2	490BT-07106	Oil sump	1	
3	490BT-07004	Oil sump gasket	1	
4	490BT-07003	Oil sump bottom plate	1	
5	GB/T93-1987	Spring washer 8	41	
6	GB/T5783-2000	Bolt M8×25	39	
7	JB982-77	Seal ring	1	
8	JB2343-79	Magnetic plug M20×1.5	1	
9	490BT-07303	Gasket	1	
10	490BT-07300	Oil dipstick pipe	1	
11	GB/T5783-2000	Bolt M8×20	2	
12	NA285B-07200	Oil dipstick	1	
13	490BT-15001-5	Side bracket	2	
14	GB/T93-1987	Spring washer 18	4	
15	490BT-07800	Bolt	4	
16	GB/T93-1987	Spring washer 10	6	
17	GB/T5782-2000	Bolt M10×45	6	

Piston connecting rod assembly

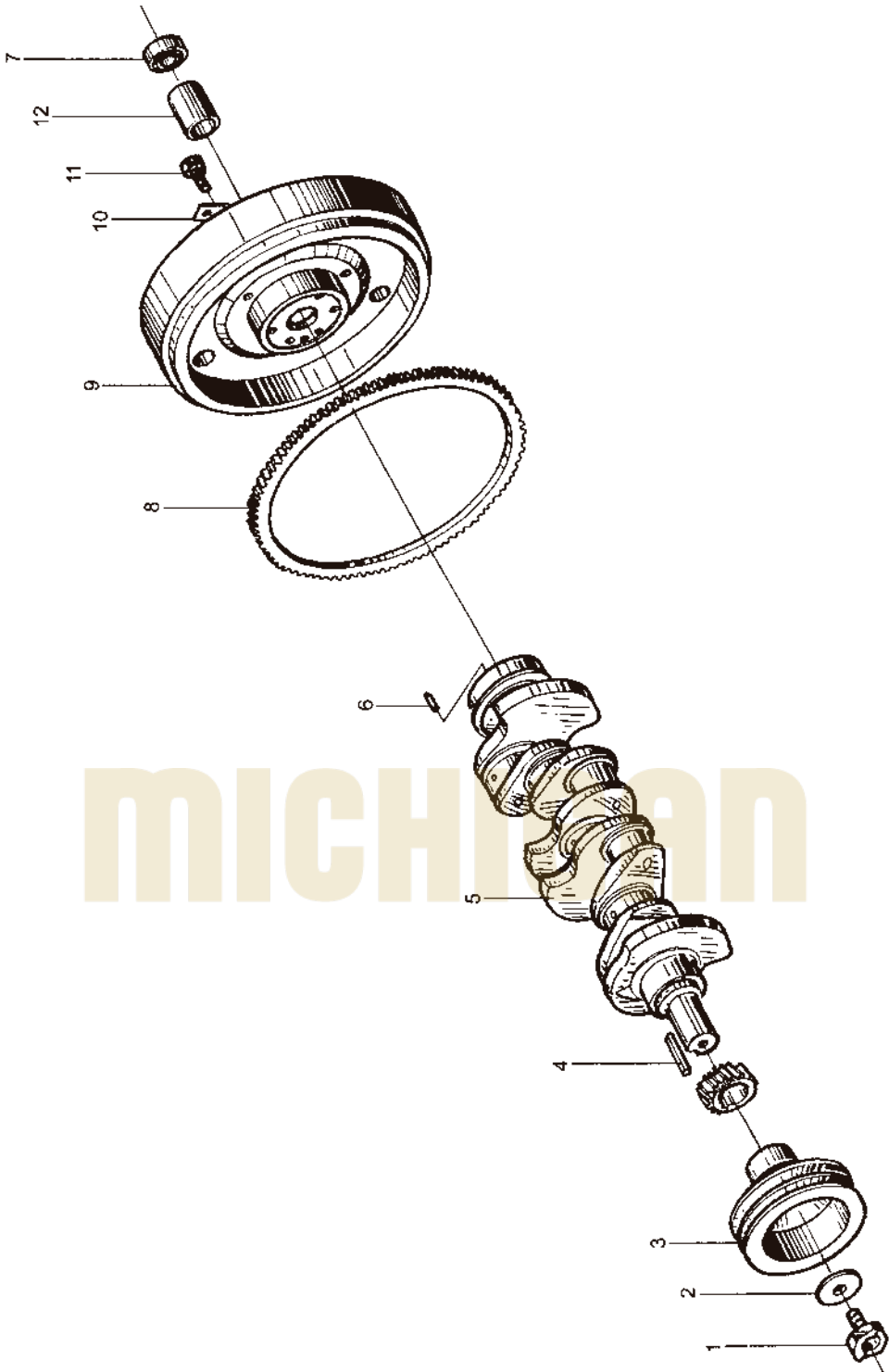


MICHIGAN

Piston connecting rod assembly

No.	Part No.	Name	Q'ty	Remark
1	490B-04002	Compression ring (top)	4	
2	490B-04003	Compression ring (second)	4	
3	490B-04102	Spiral expansion spring	4	
4	490B-04103	Pin	4	
5	490B-04101	Oil ring body	4	
6	490B-04013	Snap ring	8	
7	490B-040018	Piston pin	4	490BT
	A490B-04001	Piston pin	4	A490BT
	B490B-04001	Piston pin	4	B490BT
	XC4027-04001	Piston pin	4	C490BT
8	490B-04004	Piston pin	4	
9	490B-04005	Connecting rod bush	4	
10	490B-04201	Connecting rod	4	
11	490B-04007A	Connecting rod bearing	8	
12	490B-04202	Connecting rod cap	4	
13	490B-04009	Connecting rod bolt	8	

Crankshaft flywheel assembly

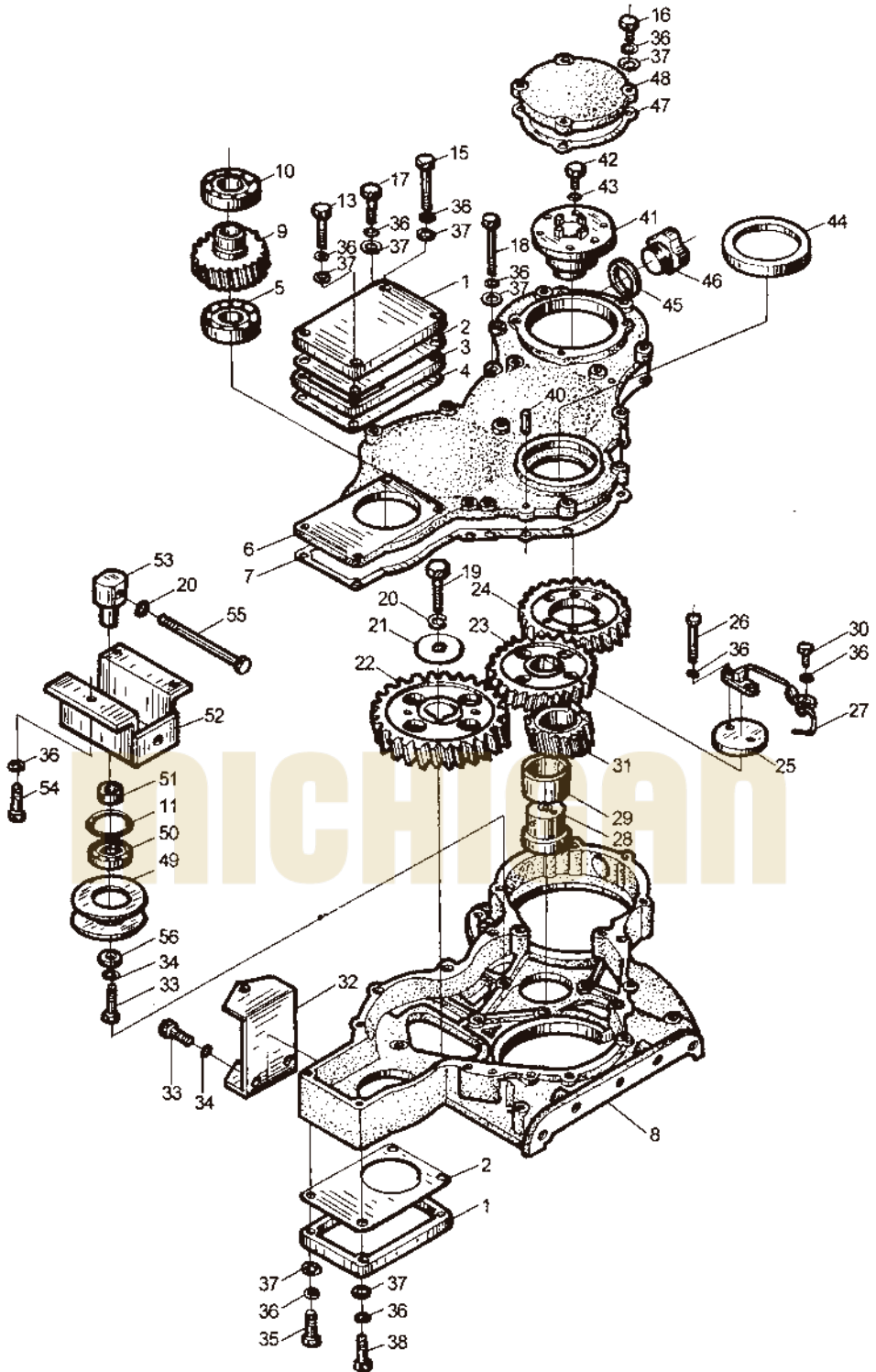


MICHIGAN

Crankshaft flywheel assembly

No.	Part No.	Name	Q'ty	Remark
1	490B-05008	Starting pawl	1	
2	490B-05007	Washer, starting pawl	1	
3	490BT-05006-2	V-belt	1	
4	GB/T1096-1979	Key A12×60	1	
5	490B-05004D	Crankshaft	1	490BT, A490BT
	B490B-05004	Crankshaft	1	B490BT, C490BT
6	GB/T119.2-2000	Pin B10×24	1	
7	GB/T278-1989	Bearing 6204-2Z	1	
8	490B-05102	Flywheel ring gear	1	
9	490BT-05101-2	Flywheel	1	
10	490B-05001	Safe plate	3	A490BT, B490BT, C490BT
	490B-05001-1	Safe plate	3	490BT
11	490BT-05002C	Flywheel bolt	6	
12	490BT-05120C	Flywheel bearing retainer	1	

Timing gear train assembly



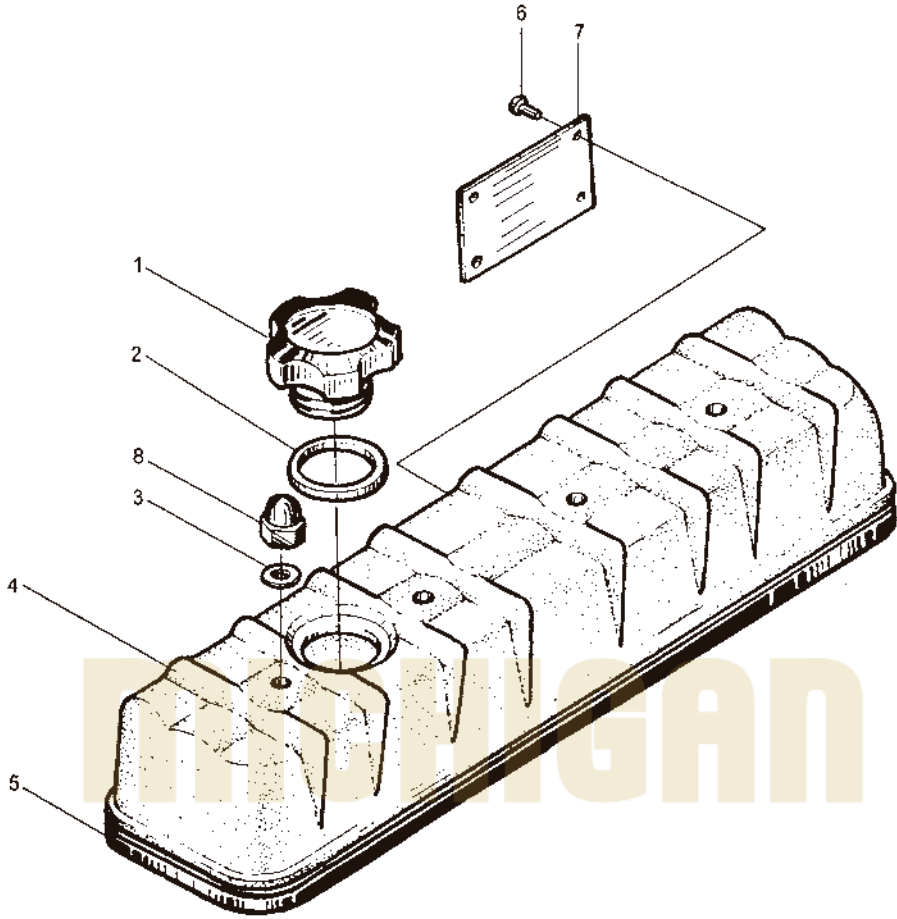
Timing gear train assembly

No.	Part No.	Name	Q'ty	Remark
1	490BT-16014	Hydraulic pump end	2	
2	490BT-16013-1	Hydraulic pump end cap gasket	2	
3	490BT-16021	Front hydraulic pump gusset plate	1	
4	490BT-16017	Front hydraulic pump gusset plate gasket	1	
5	GB/1276-1994	Bearing 6206	1	
6	490BT-16001-1	Timing gear cover	1	
7	490BT-16002-1	Timing gear cover	1	
8	490BT-16003-1	Timing gear	1	
9	490BT-02010-1	Hydraulic pump gear	1	
10	GB/T292-1994	Bearing 7206AC	1	
11	GB893.1-86	Snap ring 40	1	
13	GB/T5782-2000	Bolt M8×65	2	
15	GB/T5782-2000	Bolt M8×40	2	
16	GB/T5783-2000	Bolt M8×25	4	
17	GB/T5782-2000	Bolt M8×30	8	
18	GB/T5782-2000	Bolt M8×70	8	
19	GB/T5782-2000	Bolt M12×45	1	
20	GB/T93-2000	Spring washer 12	2	
21	490B-02011	Camshaft timing gear pressure plate	1	
22	490BT-02009	Camshaft timing gear	1	
23	490BT-02006	Timing lazy gear	1	
24	490B-02003	Timing gear	1	
25	490B-02012	Plate	1	
26	GB/T5782-2000	Bolt M8×60	3	
27	490BT-02100	Injection pipe	1	
28	490B-02004	Gear shaft	1	
29	490B-02005	Gear bushing	1	

Timing gear train assembly

No.	Part No.	Name	Q'ty	Remark
30	GB/T5783-2000	Bolt M8×16	1	
31	490BT-02007	Crankshaft timing gear	1	
32	490BT-53002	Bracket	1	
33	GB/T5783-2000	Bolt M10×25	3	
34	GB/T93-2000	Spring washer 10	4	
35	GB/T5782-2000	Bolt M8×55	4	
36	GB/T93-2000	Spring washer 8	34	
37	GB/T97.1-2000	Washer 8-140HV	27	
38	GB/T5783-2000	Bolt M8×30	1	
40	GB119.2-2000	Pin 8×20	2	
41	490BT-02015	Bushing	1	490BT、B490BT
	495BT-02015	Bushing	1	A490BT、C490BT
42	GB/T5783-2000	Bolt M6×16	6	
43	GB/T93-2000	Spring washer 6	6	
44		Oil seal 60×80×12	1	
45	495BT-16102	Washer	1	
46	495BT-16101	Cap	1	
47	490BT-16005	Gasket	1	
48	490BT-16016	Air compressor cover plate	1	
49	490BT-16201	Tensioning roller	1	
50	GB/T278-1989	Bearing 6203-2Z	1	
51	490BT-16204	Bushing	1	
52	490BT-16202	Roller bracket	1	
53	490BT-16203	Roller shaft	1	
54	GB/T5783-2000	Bolt M8×20	1	
55	GB/T5783-2000	Bolt M12×90	1	
56	490BT-16205	Bearing washer	1	

Cylinder head cover assembly

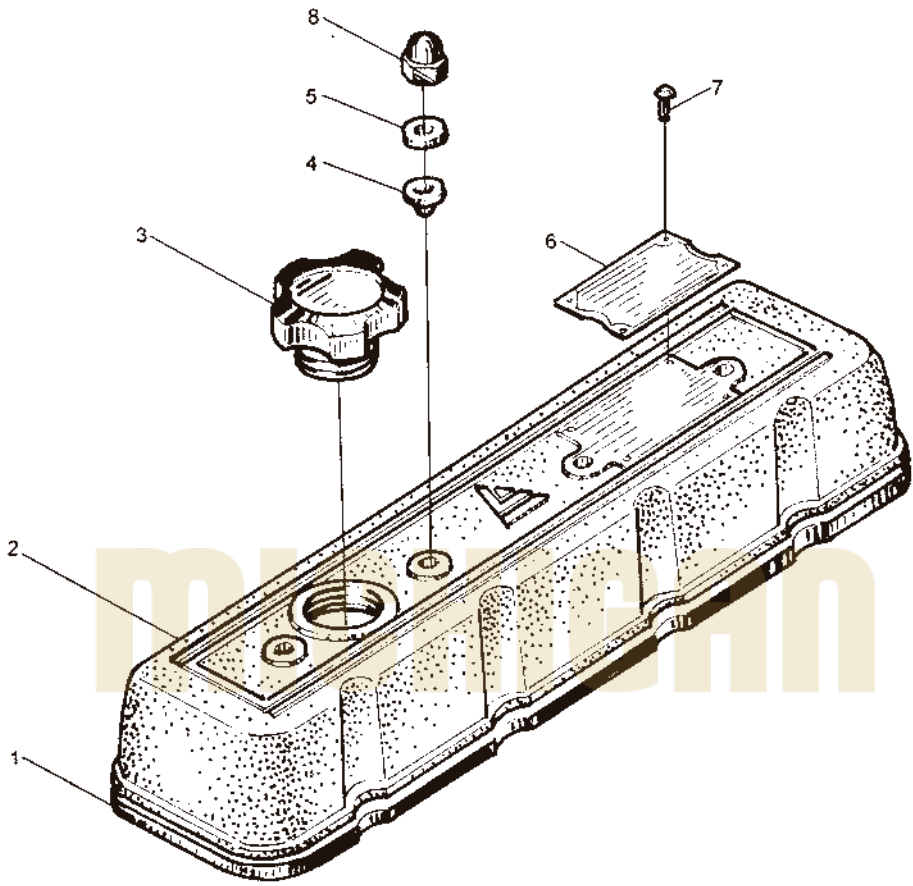


Cylinder head cover assembly

No.	Part No.	Name	Q'ty	Remark
1	490B-11013B	Cap	1	
2	490B-11014	Cap gasket	1	
3	490B-11006	Seal washer	4	
4	490B-11100A	Cylinder head cover	1	
5	490B-11004	Rubber pad	1	
6	GB/T827-1986	Rivet 2x5	4	
7	490B-11009-1	Nameplate	1	
8	GB/T923-1988	Nut M8	4	

MICHIGAN

Cylinder head cover assembly

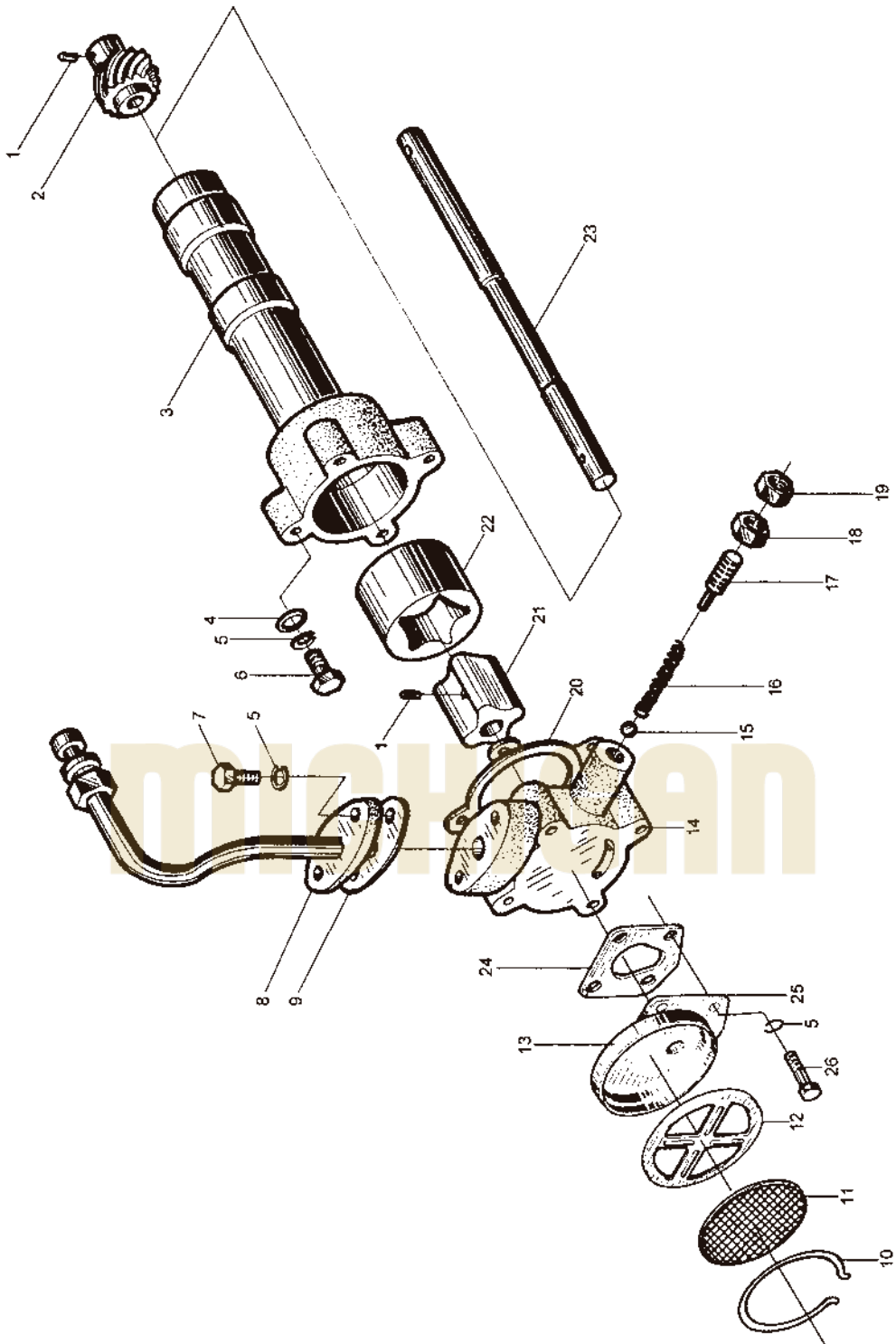


Cylinder head cover assembly

No.	Part No.	Name	Q'ty	Remark
1	A498B-11002	Rubber pad	1	
2	A498B-11001	Cylinder head cover	1	
3	490B-11013B	Cap gasket	1	
4	A498B-11003	Rubber isolation bushing	4	
5	A498B-11004	Washer	4	
6	A498B-11005	Nameplate	1	
7	GB/T827-1986	Rivet 2×5	4	
8	GB/T923-1988	Nut M8	4	

MICHIGAN

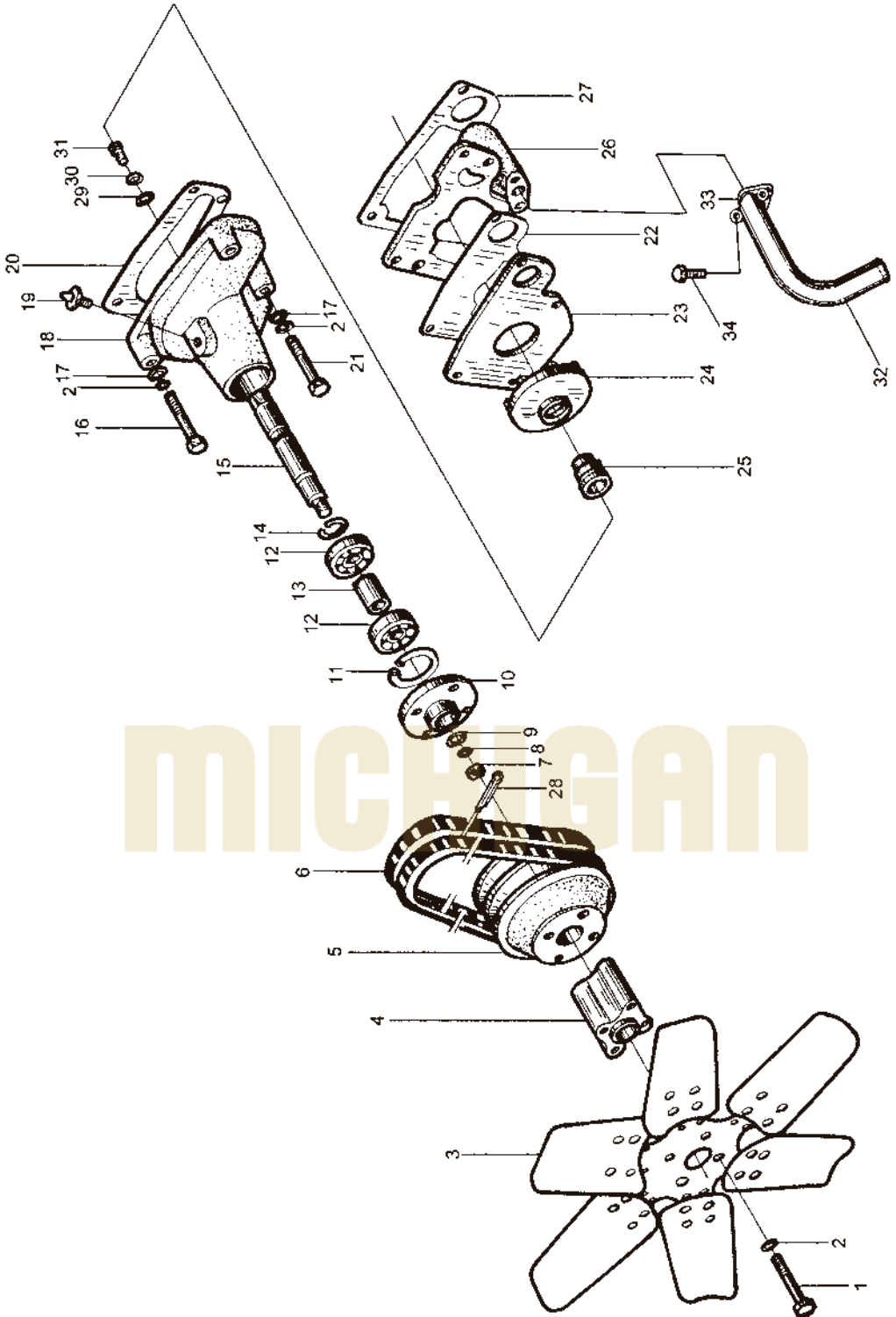
Oil pump and oil pipe assembly



Oil pump and oil pipe assembly

No.	Part No.	Name	Q'ty	Remark
1	495B-31203	Pin	2	
2	495B-31001	Oil pump driving gear	1	
3	495B-31004A	Oil pump housing	1	
4	GB/T97.1-1985	Washer 8	5	
5	GB/T93-1987	Spring washer 8	7	
6	GB/T5783-2000	Bolt M8×30	4	
7	GB/T5783-2000	Bolt M8×20	2	
8	495B-33000	Piping assembly	1	
9	490B-33005	Gasket	1	
10	490B-31104	Smop ring	1	
11	490B-31112	Filter screen	1	
12	490B-31111	Filter screen frame	1	
13	490B-31103	Filter cover	1	
14	495B-31005A	Cover,oil pump	1	
15	GB/T308-1989	Steel ball 10	1	
16	495B-31003	Spring	1	
17	495B-31002	Screw	1	
18	GB/T6171-2000	Nut M14×1.5	1	
19	GB/T6173-2000	Nut M14×1.5	1	
20	495B-31007	Cover,oil pump gasket	1	
21	495B-31202A	Inner rotor	1	
22	495B-31008A	Outer rotor	1	
23	495B-31201	Shaft of oil pump	1	
24	495BT-31006	Oil filter gasket	1	
25	495BT-31101	Flange	1	
26	GB/T5782-2000	Bolt M8×45	4	

Cooling water pump and fan assembly



MICHIGAN

Cooling water pump and fan assembly

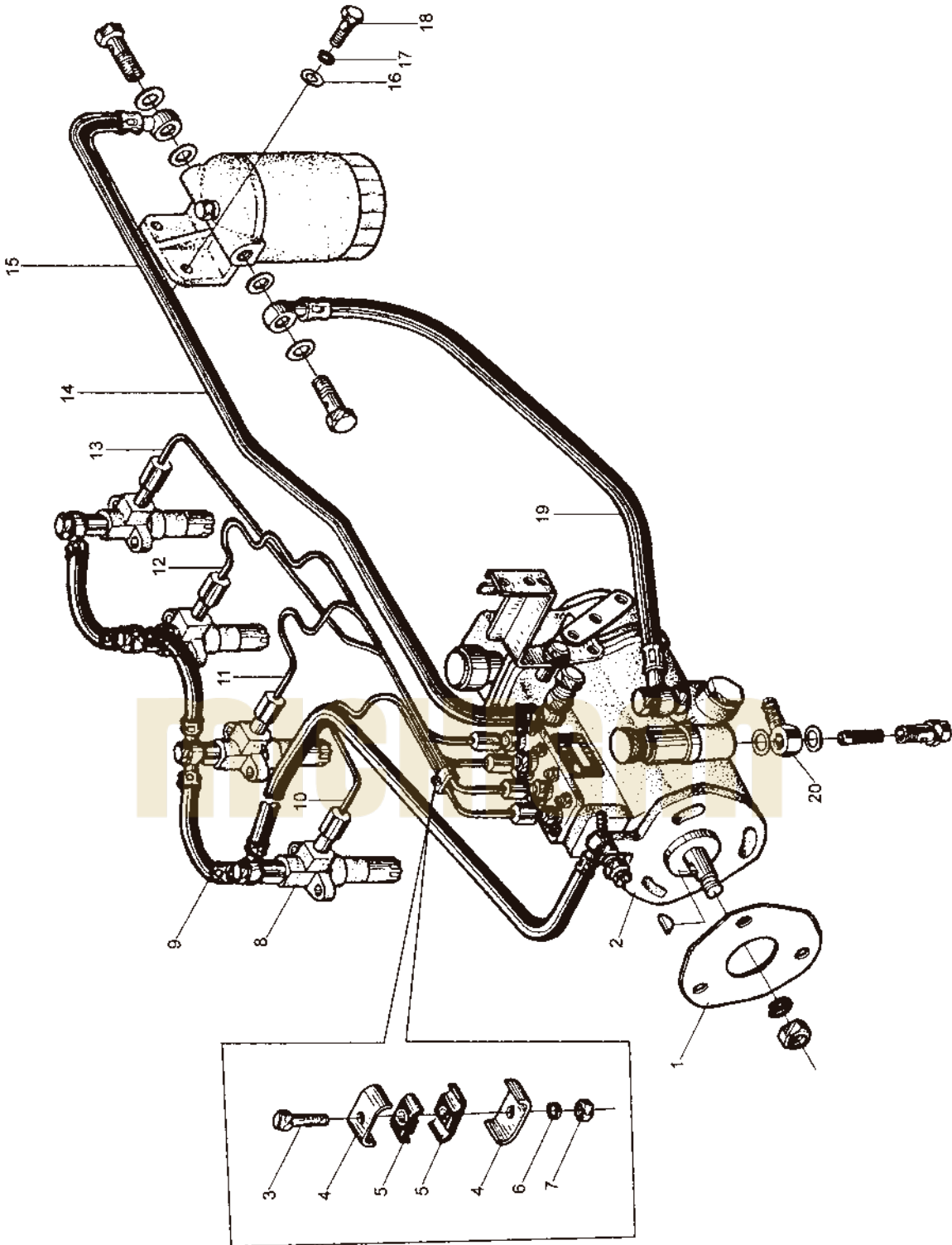
No.	Part No.	Name	Q'ty	Remark
1	GB/T5782-2000	Bolt M8×48	4	
2	GB/T93-1987	Spring washer 8	4	
3	490B-41100	Fan	1	
4	490B-41003	Gasket	1	
5	490B-41002	Fan pulley	1	
6	490B-41001	Fan belt	2	
7	GB/T6178-2000	Nut M10	1	
8	GB/T93-1987	Spring washer 10	1	
9	495B-42011	Washer Q235-AF	1	
10	490B-42001A-2	Fan pulley hub	1	
11	GB/T893.1-1986	Snap ring 40	1	
12	GB/T278-1989	Bearing 6203	2	
13	495B-42003	Sleeve spacer bearing	1	
14	495B-42012	Thrust ring	1	
15	495B-42002	Water pump shaft	1	
16	GB/T5782-2000	Bolt M8×70	1	
17	GB/T96-1985	Washer 8	1	
18	490B-42004-2	Water pump housing	1	
19	GB/T1152-1989	Oil cup	1	
20	490B-42005	Gasket	1	
21	GB/T5782-2000	Bolt M8×65	3	
22	490BT-42011	Gasket	1	
23	490BT-42006	Back plate	1	
24	490B-42008A-1	Water pump impeller	1	
25	JB/T5086-1991	Water seal	1	
26	490BT-42010-1A	Water pump connector	1	

Cooling water pump and fan assembly

No.	Part No.	Name	Q'ty	Remark
27	490BT-42011-1A	Gasket	1	
28	GB/T91-2000	Pin 2.5×20	1	
29	495B-42011	Washer	1	
30	GB/T93-1987	Spring washer 8	1	
31	GB/T5783-2000	Bolt M8×16	1	
32	490BT-01011-1	Water Pipe	1	
33	490BT-01012	Gasket	1	
34	GB/T5782-2000	Bolt M8×115	2	

MICHIGAN

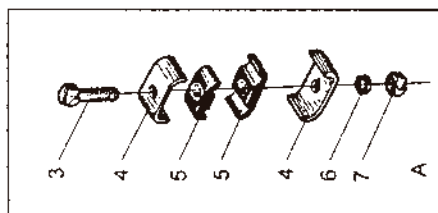
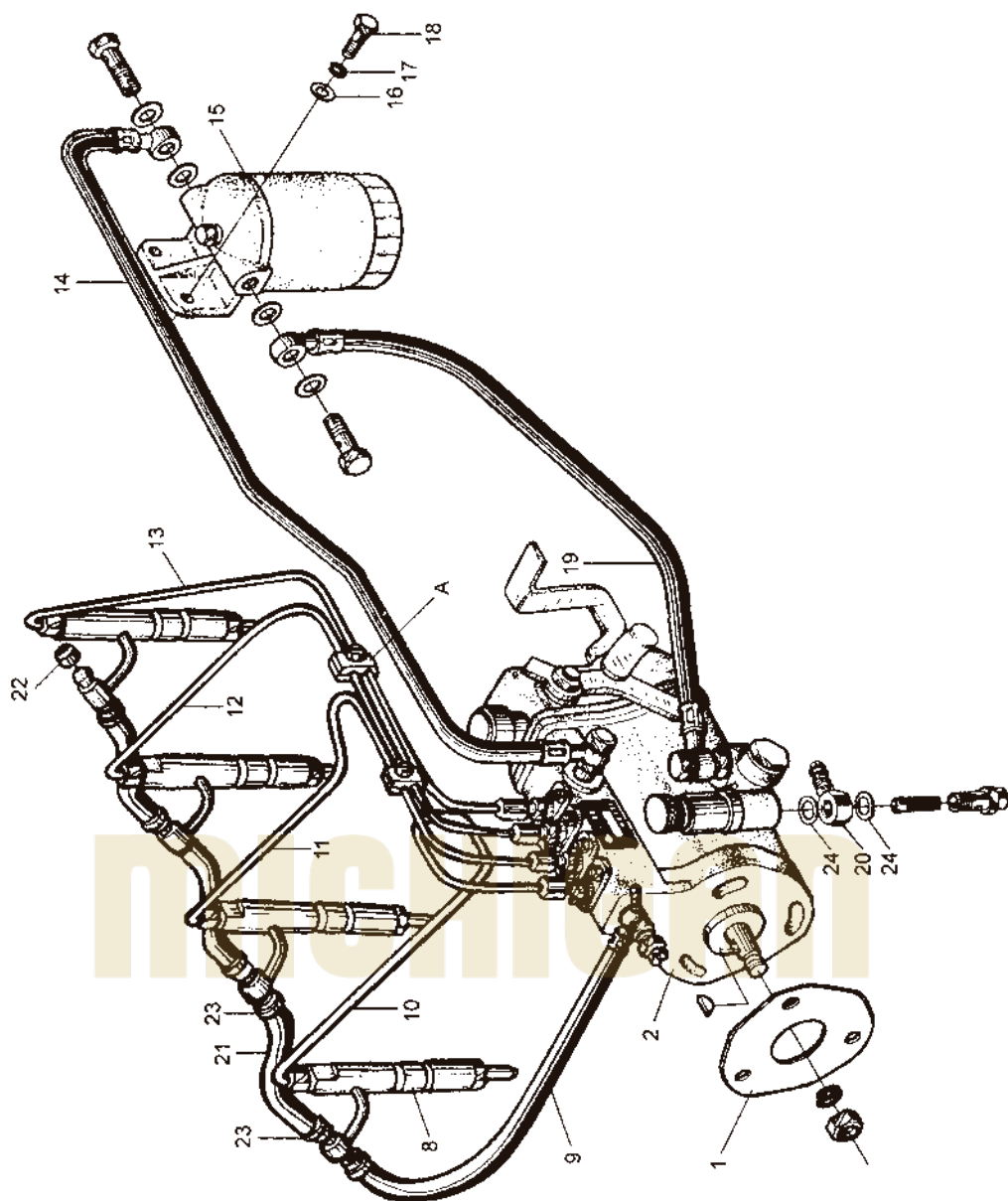
Fuel supply system assembly



Fuel supply system assembly

No.	Part No.	Name	Q'ty	Remark
1	490B-16011	Gasket	1	
2	4Q167BZ	Fuel injection pump	1	
3	GB/T29.1-1988	Bolt M6×25	3	
4	490B-23501	Clamp	6	
5	490B-23502	Rubber gasket	6	
6	GB/T93-1987	Spring washer 6	3	
7	GB/T6172-2000	Nut M6	3	
8	490B-22000A	Fuel injector	4	
9	490BT-25100	Injector leak-off pipe	1	
10	490B-23100-1	1st cylinder high pressure fuel tube	1	
11	490B-23200-1	2nd cylinder high pressure fuel tube	1	
12	490B-23300-1	3rd cylinder high pressure fuel tube	1	
13	490B-23400-1	4th cylinder high pressure fuel tube	1	
14	490B-25200	Fuel supply tube from fuel filter to injection pump	1	
15	490B-24000	Fuel filter	1	
16	GB/T97.1-1985	Washer 8	2	
17	GB/T93-1987	Spring washer 8	2	
18	GB/T5783-2000	Bolt M8×30	2	
19	490B-25300	Fuel supply tube from supply pump to fuel filter	1	
20	490B-25401	Fuel supply pump connector	1	

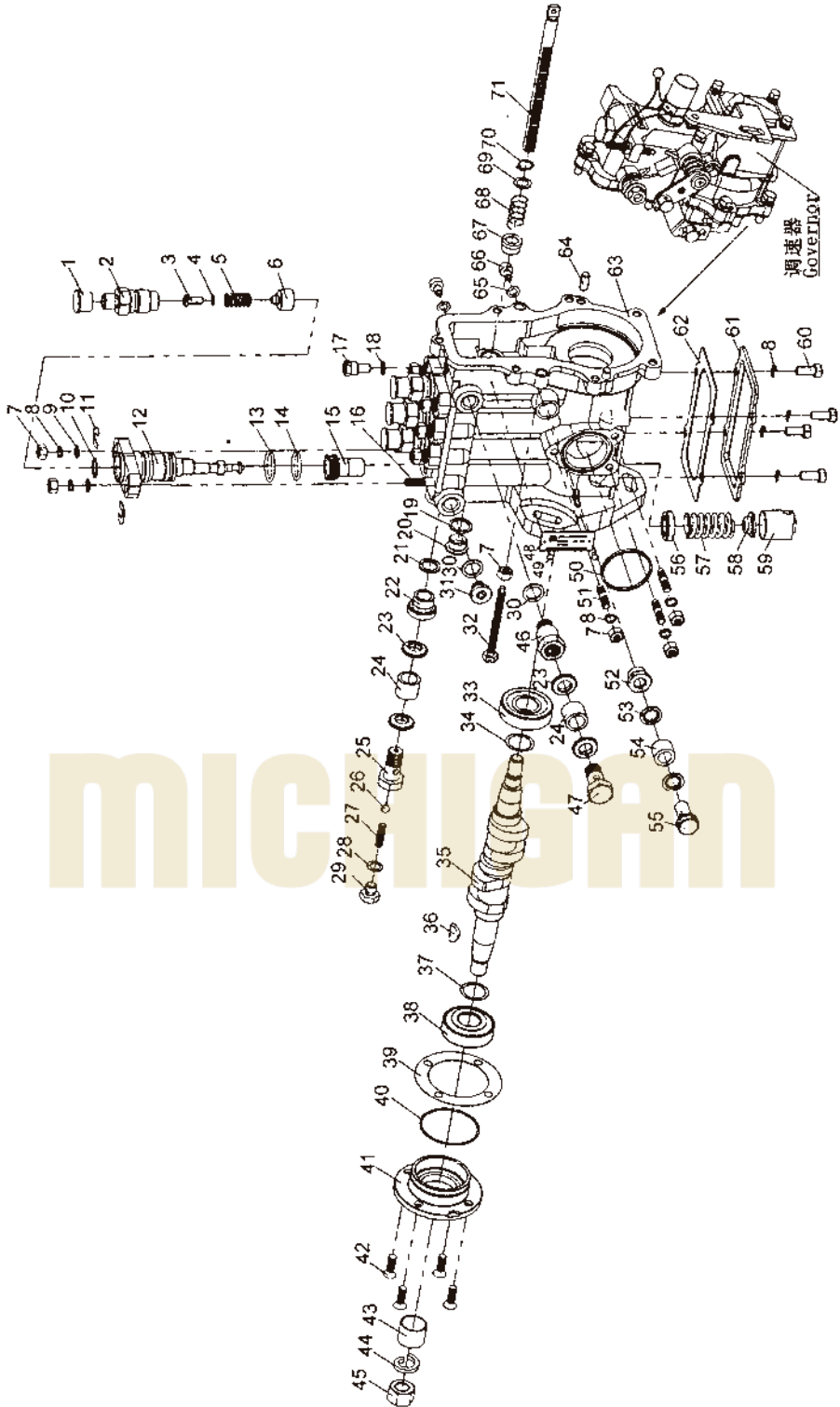
Fuel supply system assembly



Fuel supply system assembly

No.	Part No.	Name	Q'ty	Remark
1	490B-16011-1	Gasket	1	
2	4QT72BZ	Fuel injection pump	1	
3	GB/T29.1-1988	Bolt M6x25	3	
4	490B-23501	Clamp	6	
5	490B-23502	Rubber gasket	6	
6	GB/T93-1987	Spring washer 6	3	
7	GB/T6172-2000	Nut M6	3	
8	A490B-22000	Fuel injector	4	
9	A490B-25400	Injector leak-off pipe	1	
10	A490B-23100-1	1st cylinder high pressure fuel tube	1	
11	A490B-23200-1	2nd cylinder high pressure fuel tube	1	
12	A490B-23300-1	3rd cylinder high pressure fuel tube	1	
13	A490B-23400-1	4th cylinder high pressure fuel tube	1	
14	490B-25200	Fuel supply tube from fuel filter to injection pump	1	
15	490B-24000A	Fuel filter	1	
16	GB/T97.1-1985	Washer 8	2	
17	GB/T93-1987	Spring washer 8	2	
18	GB/T5783-2000	Bolt M8x30	2	
19	490B-25300	Fuel supply tube from supply pump to fuel filter	1	
20	490B-25401-4	Fuel supply pump connector	1	
21	498B-25002	Sebific duct	3	
22	498B-25001	Leakproof cap	1	
23	498B-25004	Clamp	10	
24	A490B-22001	Copper pad	4	

Fuel pump assembly



Fuel pump assembly

No.	Part No.	Name	Q'ty	Remark
1	B1-2	Protection cap	4	
2	B4QA003.2-01	Delivery valve holder	4	
3	B4QA003.2-02	Spindle	4	
4	B4Q001.2-03	Washer for delivery valve		
5	B4Q001.2-04	Delivery valve spring	4	
6	F21.0	Delivery valve	4	
7	GB6170-1986	Screw M6	12	
8	GB93-1987	Washer 6	15	
9	B4Q001-04	Washer	8	
10	B4QA003.2-03	Washer for delivery valve	4	
11	B4Q001-02	Adjustble washer		
12	X119A.0	P/Element	4	
13	B4Q001.2-08	Seal- II	4	
14	B4Q001.2-10	Seal-IV	4	
15	B4QA003-01	Adjustble gear	4	
16	B4Q001.1-04	Binder bolt	8	
17	B4Q001-20	Banjo bolt	1	
18	B4Q001-25	Washer	1	
19	B4Q001-16	Throttle lever case	1	
20	B4Q001-17	Washer	1	
21	B4QA003.1-02	Washer	1	
22	B4QA003.1-01	Fuel inlet connection	1	
23	B4Q001-18	Washer	4	
24	B4Q001-19	Protection washer	2	

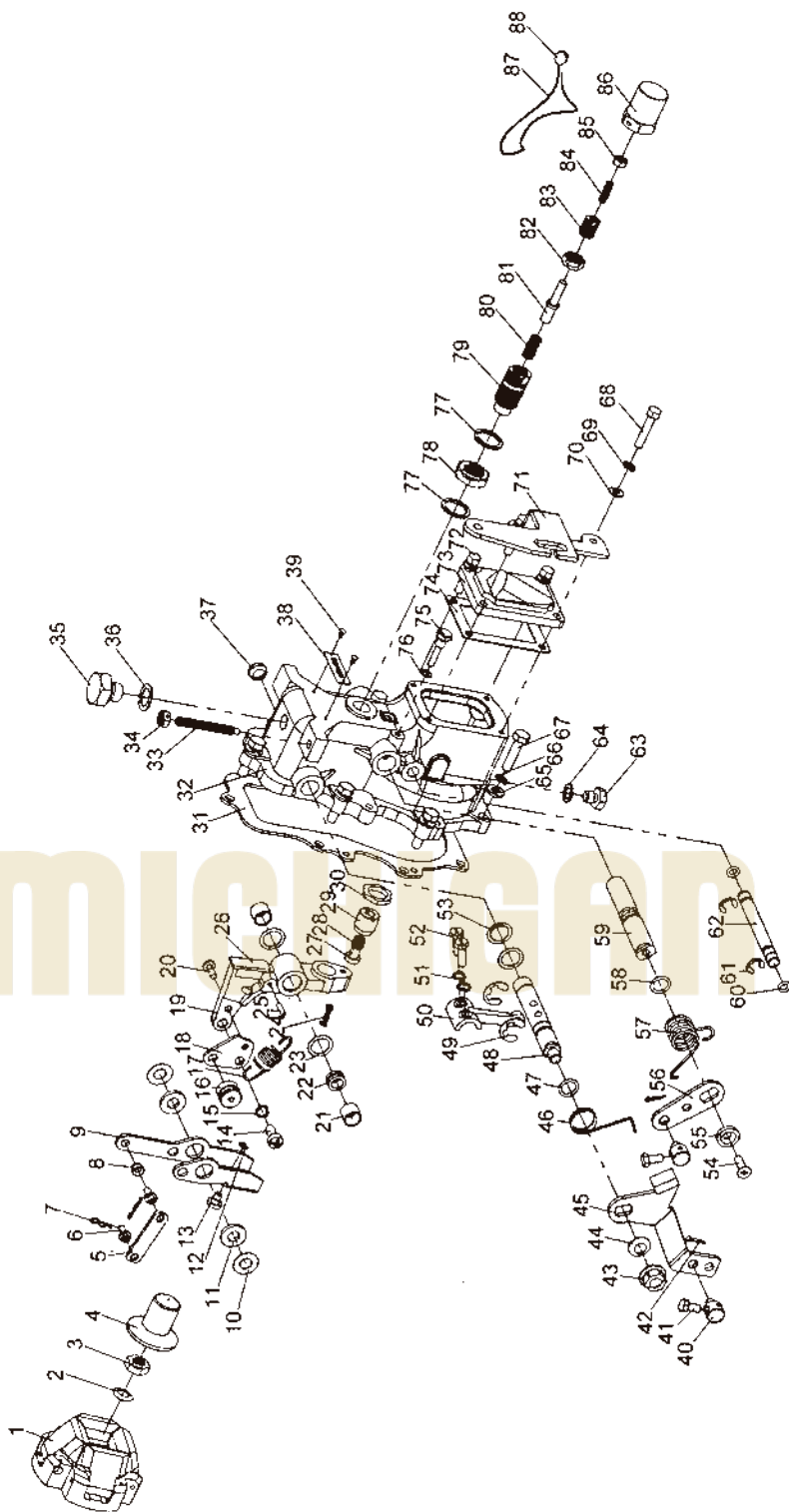
Fuel pump assembly

No.	Part No.	Name	Q'ty	Remark
25	B4Q001.6-04	Fule back connection screw	1	
26	GB308-1977	Steel ball 6G40b	1	
27	B4Q001.6-03	Spring	1	
28	B4Q001.6-02	Washer	1	
29	B4Q001.6-01	Screw	1	
30	B4Q001.1-02	Washer	2	
31	B4Q001.1-03	Fuel pipe plug	1	
32	B4Q001-23	Fixing pin	1	
33	GB297-1994	Roller bearing 30203	1	
34	B4Q001.4-01	Camshaft adjustable washer		
35	B4QA001.4-02	Camshaft	1	
36	GB1099-1979	Shaft 4x6.5x16	1	
37	B4QA001.4-01	Camplate		
38	GB297-1994	Roller bearing 30204	1	
39	B4QA001-04	Bearing adjustable washer		
40	B4QA001.5-01	Seal	1	
41	B4QA001.5-02	Bearing cap	1	
42	GB819-85	Screw M6x14	4	
43	B4QA001-05	Protection case	1	
44	GB93-1987	Washer 14	1	
45	GB6171-1986	Screw M14x1.5	1	
46	B4Q001.1-01	Fuel inlet and back connection	1	
47	B2-2	Fuel inlet adaptor	1	
48	X4BQA85Y022H	Label	1	

Fuel pump assembly

No.	Part No.	Name	Q'ty	Remark
49	GB827-1986	Label rivet 2x5	2	
50	B4Q001-01	Feed pump seal	1	
51	B4Q001.1-06	Binder bolt	3	
52	B4Q023.1-02	Connection	1	
53	B4Q023-02	Washer	2	
54	B4Q023-04	Protection washer	1	
55	B4Q023-03	Fuel inlet and back screw	1	
56	B4Q001-07	Pump element spring	4	
57	B4QA001-02	Pump element spring	4	
58	B4Q001-09	Pump element spring	4	
59	B4QA001.3-01	Tappet assy.	4	
60	GB29.1-1988	Screw M6x14	4	
61	B4Q001-13	Plate	1	
62	B4Q001-12	Plate seal	1	
63	B4QA003.1-03	Pump housing	1	
64	GB119-1986	Pin D5x12	2	
65	B4Q001-11	Washer	5	
66	B4Q001-10	Fixing screw	5	
67	B4Q001.1-07	Throttle case	1	
68	B4Q001-21	Spring	1	
69	B4Q001-22	Ring	1	
70	GB894.1-1986	Ring 9	1	
71	B4Q001-06	Throttle lever	1	

Governor



Governor

No.	Part No.	Name	Q'ty	Remark
1	TQF001.1	Fly shaft parts	1	
2	TQ001-02	Washer	1	
3	GB6172-86	Screw M12×1.25	1	
4	TQ001-03	Governor case	1	
5	TQ001.3.1.1-02	Connect shaft	1	
6	TQ001.3.1.1-01	Connect pin	2	
7	TQ001.3.1-02	Pin	2	
8	TQ001.3.1.3-01	Connection housing	1	
9	TQ001.3.1.3-02	Adjustable level	1	
10	TQ001.3-19	Adjustable washer	2	
11	TQ001.3-18	Washer	2	
12	GB896-86	Ring 3.5	1	
13	TQ001.3.1.3-03	Supporting parts	1	
14	GB818-85	Screw M6×10	1	
15	GB859-76-Zn.D	Washer 6	1	
16	TQ001.3.1.2.1-01	Hook for spring	1	
17	TQ001.3-01	Spring	1	
18	TQ001.3.1.2.1-02	Spring	1	
19	TQ002.1.1.1-01	Governor shaft	1	
20	GB109-86	Rivet	1	
21	GB290-89	Bearing	2	
22	TQ001.3.1-03	Diaphragm	1	
23	TQ001.3.1-04	Governor lever	2	
24	TQ002.1.1-01	Spring	1	

Governor

No.	Part No.	Name	Q'ty	Remark
25	GB879-76	Pin A3×16	1	
26	TQ001.3.1.2-02	Shaft	1	
27	TQ002.1.1.2-01	Lever	1	
28	TQ002.1.1.2-02	Spring	1	
29	TQ002.1.1.2-03	Binder bolt case	1	
30	GB808-88	Screw	1	
31	TQ001-01	Seal	1	
32	TQ001.3-03	Back plate	1	
33	TQ001.3-12	Fixing pin	1	
34	TQ001.3-13	Fixing screw	1	
35	TQ001.2a	Seal	1	
36	TQ001-04	Washer	1	
37	TQ001.3-06	Plug	1	
38	TQ001.3-04	Label	1	
39	GB827-86	Rivet 2×4	2	
40	TQ001.3-09	Shaft	2	
41	GB29.1-88	Bolt M5×10	2	
42	GB91-86	Pin 2×10	2	
43	GB6177-86	Screw M8	1	
44	GB860-87	Washer 8	1	
45	TQ001.3-10b	Governor shaft	1	
46	TQ001.3-11	Spring	1	
47	GB3452.1-92	Seal 9×1.8	1	
48	TQ001.3-07	Governer cam	1	

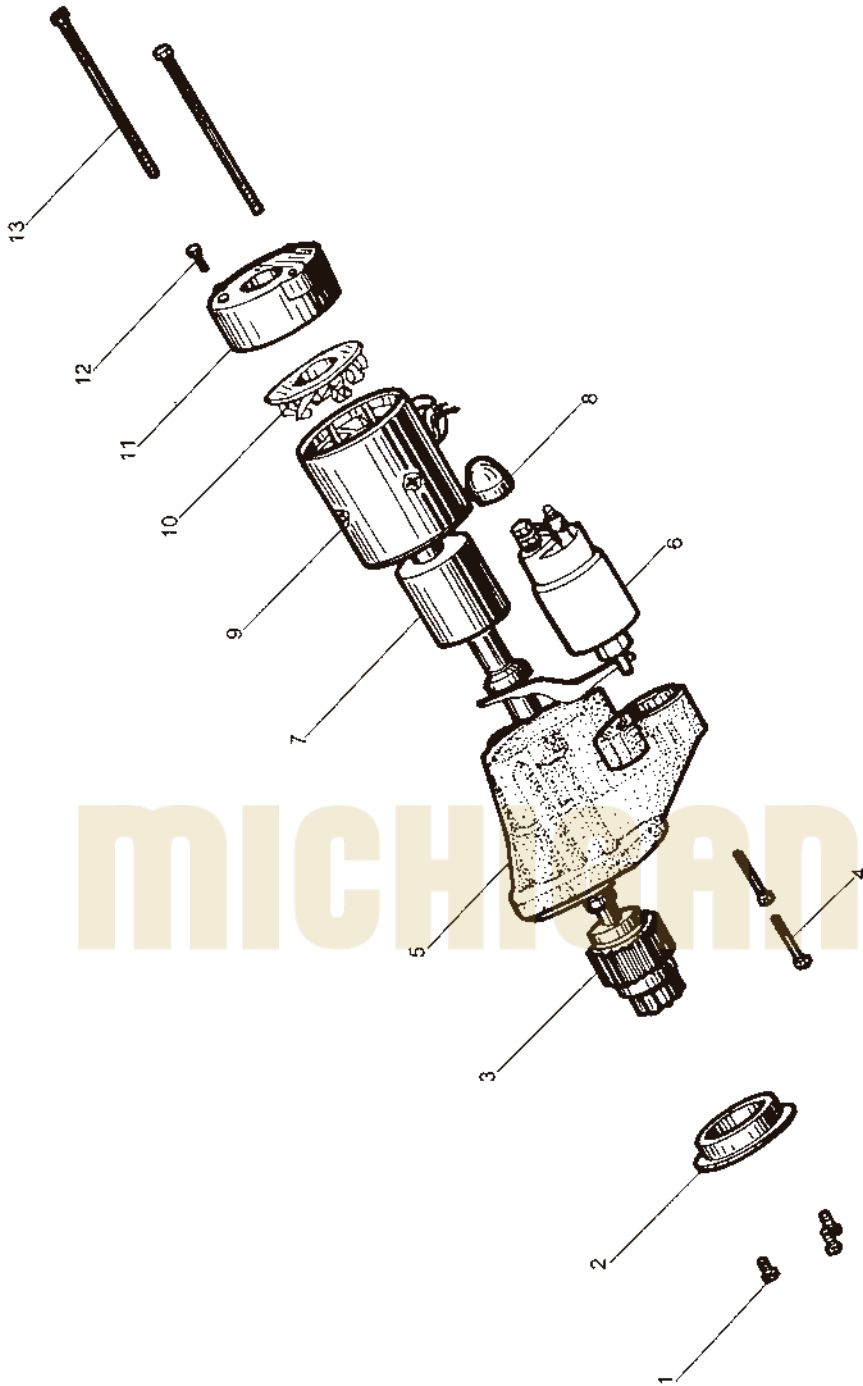
Governor

No.	Part No.	Name	Q'ty	Remark
49	GB896-86	Ring 9	2	
50	TQ001.3-02	Spring shaft	1	
51	GB93-87	Washer 5	2	
52	GB29.1-88	Bolt M5×15	2	
53	TQ001.3-08	Washer	2	
54	GB819-85	Screw M5×10	1	
55	TQ001.3.3-02	Washer	1	
56	TQ002.1.2-01	Connection plate	1	
57	TQ001.3-16	Spring	1	
58	GB3452.1-92	Seal 10×1.8	1	
59	TQ001.3.3-03	Stop shaft	1	
60	GB3452.1-92	Seal 5×1.8	2	
61	GB896-86	Ring 6	2	
62	TQ001.3-17	Middle shaft	1	
63	TQ001.3-21	Fule output pin	1	
64	TQ001.3-20	Washer	1	
65	GB95-85	Washer 6	7	
66	GB93-87	Washer 6	7	
67	GB5783-86	Bolt M6×25	7	
68	GB5783-86	Bolt M5×16	2	
69	GB859-87	Washer 5	4	
70	GB95-85	Washer 5	4	
71	TQ002.2-01c	Stop trestle	1	
72	GB5783-86	Bolt M5×14	2	

Governor

No.	Part No.	Name	Q'ty	Remark
73	TQ001.5-02a	Back plate	1	
74	TQ001-05	Washer	1	
75	TQ001.3-15	Fixing position screw	1	
76	TQ001.3-14	Washer	1	
77	TQ001.3-05	Washer	2	
78	TQ001.3.2-03	Screw M16×1	1	
79	TQ001.3.2-02	Rectify bolt case	1	
80	TQ001.3.2-07	Rectify spring	1	
81	TQ001.3.2-01	Rectify lever	1	
82	TQ001.3.2-06	Screw M10×1	1	
83	TQ001.3.2-04	Adjustble bolt case	1	
84	GB73-85	Screw M5×15	1	
85	GB6172-86	Screw M5	1	
86	TQ001.3.2-05	Protection cap	1	
87	GB3081-82	Lead seal wire		
88	R001-01	Lead seal	1	

Starting motor assembly



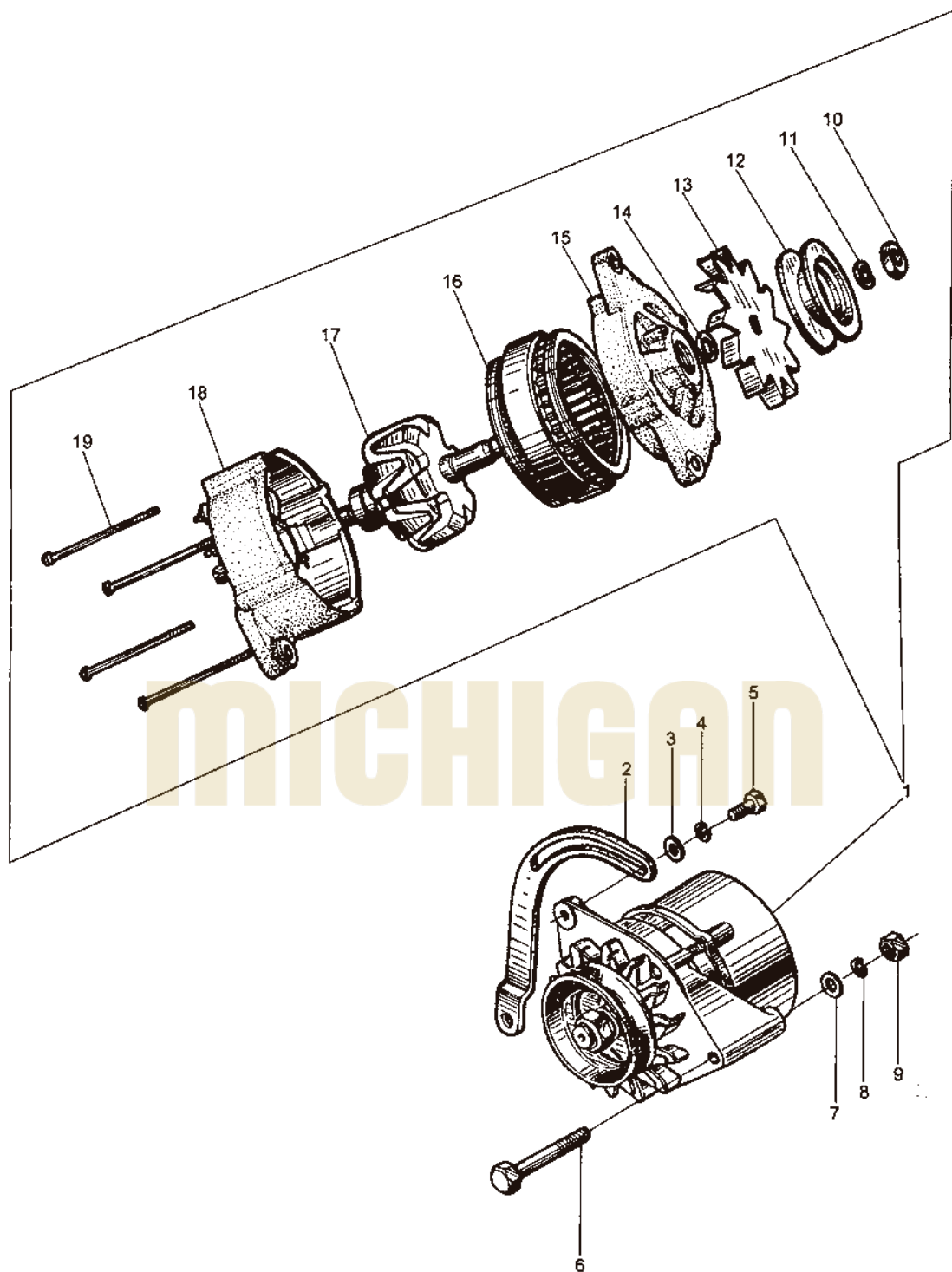
MICHIGAN

Starting motor assembly

No.	Part No.	Name	Q'ty	Remark
1		Screw M5	3	
2		Baffle	1	
3		One-direction clutch	1	
4		Bolt M6	2	
5		Drive housing	1	
6		Solenoid & drive lever	1	
7		Armature	1	
8		Rubber casing	1	
9		Field case assemblies	1	
10		Brush housing	1	
11		Back housing	1	
12		Screw M4	1	
13		Bolt M6	2	

MICHIGAN

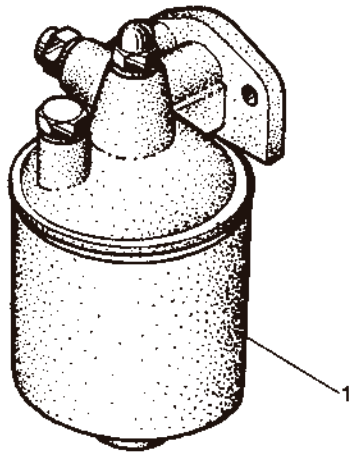
Charging generator assembly



Charging generator assembly

No.	Part No.	Name	Q'ty	Remark
1	490B-52000	Charging generator	1	
2	490B-53001-4	Adjusting lever for generator	1	
3	GB/T97.1-1985	Washer 8	1	
4	GB/T93-1987	Spring washer 8	1	
5	GB/T5783-2000	Bolt M8×25	1	
6	GB/T5782-2000	Bolt M10×80	1	
7	GB/T97.1-1985	Washer 10	1	
8	GB/T93-1987	Spring washer	1	
9	GB/T6170-2000	Nut 10	1	
10		Nut M16	1	
11		Gasket 16	1	
12		Pulley	1	
13		Fan	1	
14		Inside spacer	1	
15		Drive housing assembly	1	
16		Stator assembly	1	
17		Rotor assembly	1	
18		Drive end assembly	1	
19		Tightening bolt M5	4	

Oil filter assembly



MICHIGAN

Oil filter assembly

No.	Part No.	Name	Q'ty	Remark
1	490B-32000B	Oil filter	1	

MICHIGAN