

CATALOGO DE PARTES

EXCAVADORA | ME220.1



MICHIGAN[®]

PREFACE

This parts book is drawn based on real objects, detailing in illustrations all parts (including standard parts, accessories and optional parts). Model and nameplate of the product are marked in the noticeable place. Consumers, who are purchasing spare parts, may clearly mark, in the order, model and serial number of purchased product, and code, name and quantity of required parts.

With performance of product increasingly improving and product design level rising, our company will better quality of some parts without further notice. Please contact dealers for any inquiries. Your attention will be appreciated.

For undetachable parts (weld assembly and riveted parts etc.) listed in this catalog, only part numbers are marked; for some of bought-in components, only structure diagrams are provided. Please note that bought-in components and their structures may have some differences.

We will appreciate corrections and editing suggestions from experts or readers may point out and correct our editing errors.

All rights reserved, unauthorized duplication and publish are a violation of applicable laws.

2022.07.01

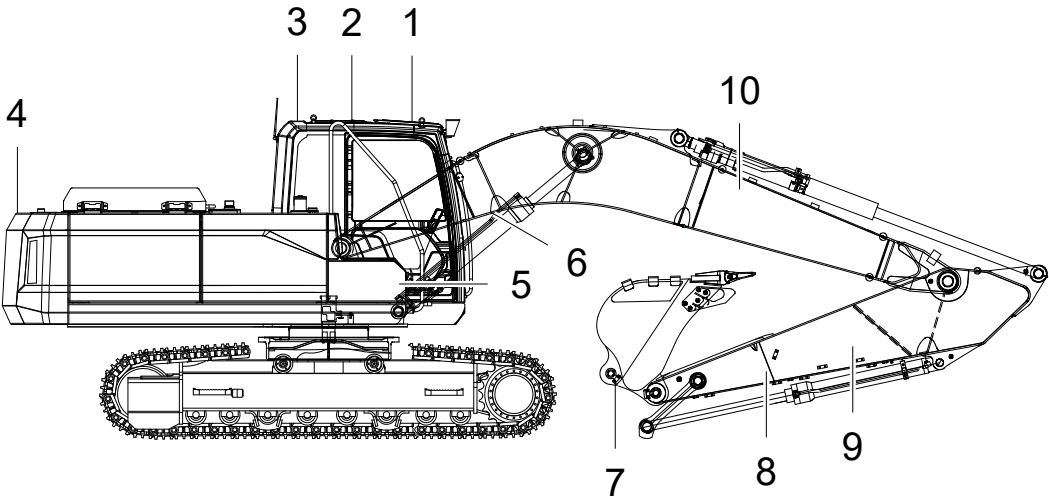
Contents

1. HYDRAULIC CRAWLER EXCAVATOR	7
1 HYDRAULIC CRAWLER EXCAVATOR.....	7
2. ENGINE ASSEMBLY	9
2.1 PUMP MOUNTING SYSTEM	9
1 PUMP MOUNTING SYSTEM	9
2.2 ENGINE MOUNTING SYSTEM	11
1 ENGINE MOUNTING SYSTEM.....	11
2.3 EXHAUST ASSEMBLY	13
1 EXHAUST ASSEMBLY	13
2.4 FUEL LUBRICATION ASSEMBLY.....	15
1 FUEL LUBRICATION ASSEMBLY.....	15
2 FUEL LUBRICATION ASSEMBLY.....	17
2.5 AIR INTAKE ASSEMBLY	19
1 AIR INTAKE ASSEMBLY	19
2.5.1 STRAIGHT-THROUGH PRE-FILTRATION SYSTEM.....	21
1 STRAIGHT-THROUGH PRE-FILTRATION SYSTEM.....	21
2.5.2 OIL-BATH TYPE AIR CLEANER ASSEMBLY.....	23
1 OIL-BATH TYPE AIR CLEANER ASSEMBLY.....	23
2.6 COOLING ASSEMBLY.....	25
1 COOLING ASSEMBLY.....	25
2 COOLING ASSEMBLY.....	27
2.6.1 AUXILIARY WATER TANK ASSEMBLY.....	29
1 AUXILIARY WATER TANK ASSEMBLY.....	29
3. FUEL TANK ASSEMBLY	31
1 FUEL TANK ASSEMBLY.....	31
4. CABIN ASSEMBLY	33
1 CABIN ASSEMBLY.....	33
5. HYDRAULIC TANK ASSEMBLY	35
1 HYDRAULIC TANK ASSEMBLY.....	35
6. HYDRAULIC SYSTEM	37
6.1 WORKING DEVICE PIPELINE.....	37
1 WORKING DEVICE PIPELINE.....	37
6.2 WORKING PIPELINE 2.....	39
1 WORKING PIPELINE 2.....	39
6.3 PILOT PIPELINE 2.....	41
1 PILOT PIPELINE 2.....	41
2 PILOT PIPELINE 2.....	43
6.4 CHASSIS PIPELINE.....	45
1 CHASSIS PIPELINE.....	45
6.5 WORKING PIPELINE 1.....	47
1 WORKING PIPELINE 1.....	47
6.6 PILOT PIPELINE 3.....	49
1 PILOT PIPELINE 3.....	49
6.7 MAIN RETURN PIPELINE.....	51

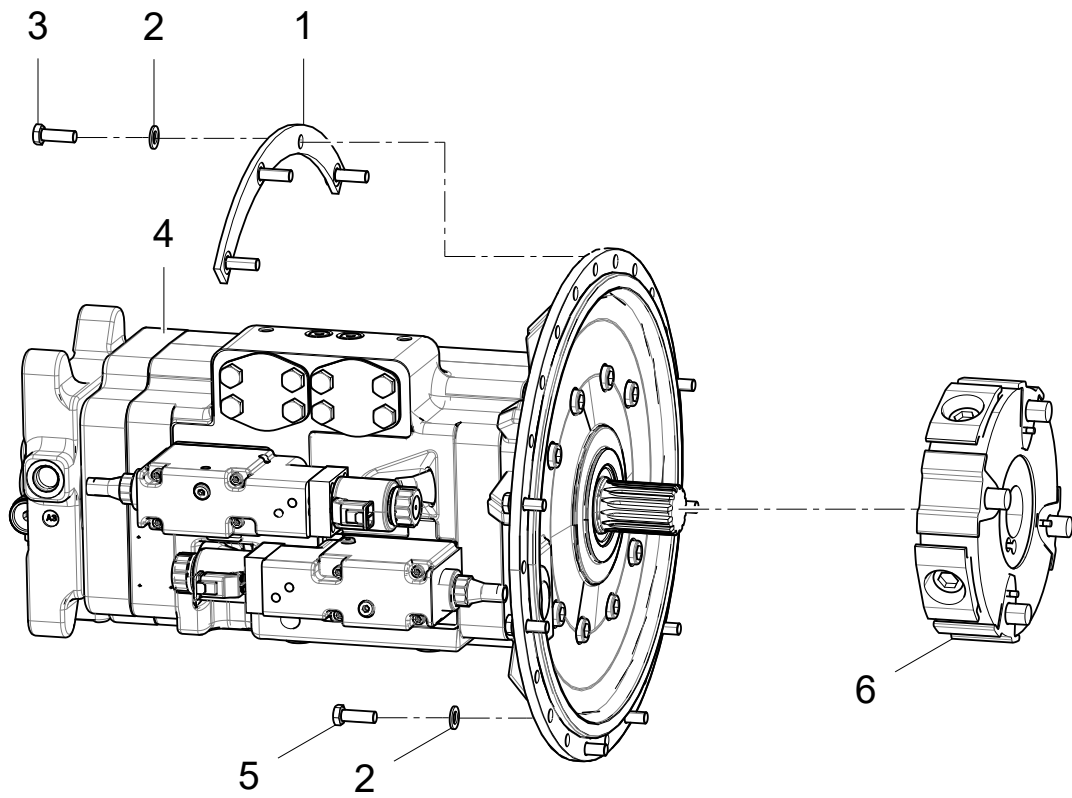
1 MAIN RETURN PIPELINE 2.....	51
2 MAIN RETURN PIPELINE 1.....	53
6.8 BREAKING HAMMER PIPELINE.....	55
1 BREAKING HAMMER PIPELINE.....	55
2 BREAKING HAMMER PIPELINE.....	57
6.9 PILOT PIPELINE 1.....	59
1 PILOT PIPELINE 1-1.....	59
2 PILOT PIPELINE 1-2.....	61
6.10 PUMP PIPELINE	63
1 PUMP PIPELINE	63
7. AIR CONDITIONING SYSTEM.....	65
1 AIR CONDITIONING SYSTEM.....	65
2 AIR CONDITIONING SYSTEM.....	67
7.1 AIR CONDITIONING UNIT.....	69
1 AIR CONDITIONING UNIT.....	69
7.2 COMPRESSOR ASSEMBLY.....	71
1 COMPRESSOR ASSEMBLY.....	71
8. ELECTRONIC CONTROL SYSTEM.....	73
1 BOOM ELECTRICAL LAYOUT.....	73
2 ENGINE ELECTRICAL LAYOUT.....	75
3 HORN ELECTRICAL LAYOUT.....	77
4 BODY ELECTRICAL ASSEMBLY.....	79
5 CABIN OUTER ELECTRICAL LAYOUT.....	81
6 CABIN INNER ELECTRICAL LAYOUT.....	83
8.1 ELECTRIC CONTROL BOX ASSEMBLY.....	85
1 ELECTRIC CONTROL BOX ASSEMBLY.....	85
8.2 BATTERY ASSEMBLY.....	87
1 BATTERY ASSEMBLY.....	87
9. COUNTERWEIGHT ASSEMBLY.....	89
1 COUNTERWEIGHT ASSEMBLY.....	89
10. PLATFORM ASSEMBLY.....	91
1 PLATFORM ASSEMBLY.....	91
11. SWING DRIVE DEVICE.....	93
1 SWING DRIVE DEVICE.....	93
12. BOOM ASSEMBLY.....	95
1 BOOM ASSEMBLY.....	95
13. COVER ASSEMBLY	97
13.1 HAND RAIL ASSEMBLY.....	97
1 HAND RAIL ASSEMBLY.....	97
13.2 COVER PLATE ASSEMBLY.....	99
1 COVER PLATE ASSEMBLY.....	99
13.3 DOOR ASSEMBLY.....	101
1 DOOR ASSEMBLY.....	101
13.3.1 LEFT FRONT DOOR.....	103
1 LEFT FRONT DOOR.....	103
13.3.2 RIGHT FRONT DOOR.....	105

1 RIGHT FRONT DOOR.....	105
13.3.3 LEFT REAR DOOR.....	107
1 LEFT REAR DOOR.....	107
13.3.4 RIGHT REAR DOOR.....	109
1 RIGHT REAR DOOR.....	109
13.4 HOOD ASSEMBLY.....	111
1 HOOD ASSEMBLY.....	111
13.5 BRACKET ASSEMBLY.....	113
1 BRACKET ASSEMBLY.....	113
13.6 SPACER PLATE ASSEMBLY.....	115
1 SPACER PLATE ASSEMBLY.....	115
14. BUCKET ASSEMBLY.....	117
1 BUCKET ASSEMBLY.....	117
15. UNDERCARRIAGE ASS'Y.....	119
1 UNDERCARRIAGE ASSEMBLY.....	119
15.1 CENTER SWIVEL JOINT.....	121
1 CENTER SWIVEL JOINT.....	121
15.2 TRACK ASS'Y.....	123
1 TRACK ASS'Y.....	123
2 TRACK ASS'Y.....	125
16. ARM ASSEMBLY.....	127
1 ARM ASSEMBLY.....	127
17. TOOLBOX ASSEMBLY.....	129
1 TOOLBOX ASSEMBLY.....	129
18. MARKING SYSTEM.....	131
1 MARKING SYSTEM 4.....	131
2 MARKING SYSTEM 3.....	133
3 MARKING SYSTEM 2.....	135
4 MARKING SYSTEM 1.....	137
19. FILLING PUMP ASSEMBLY.....	139
1 FILLING PUMP ASSEMBLY.....	139
20. SEAT MOUNTING ASSEMBLY.....	141
1 SEAT MOUNTING ASSEMBLY 2.....	141
2 SEAT MOUNTING ASSEMBLY 1.....	143

(10602255820)
HYDRAULIC CRAWLER EXCAVATOR



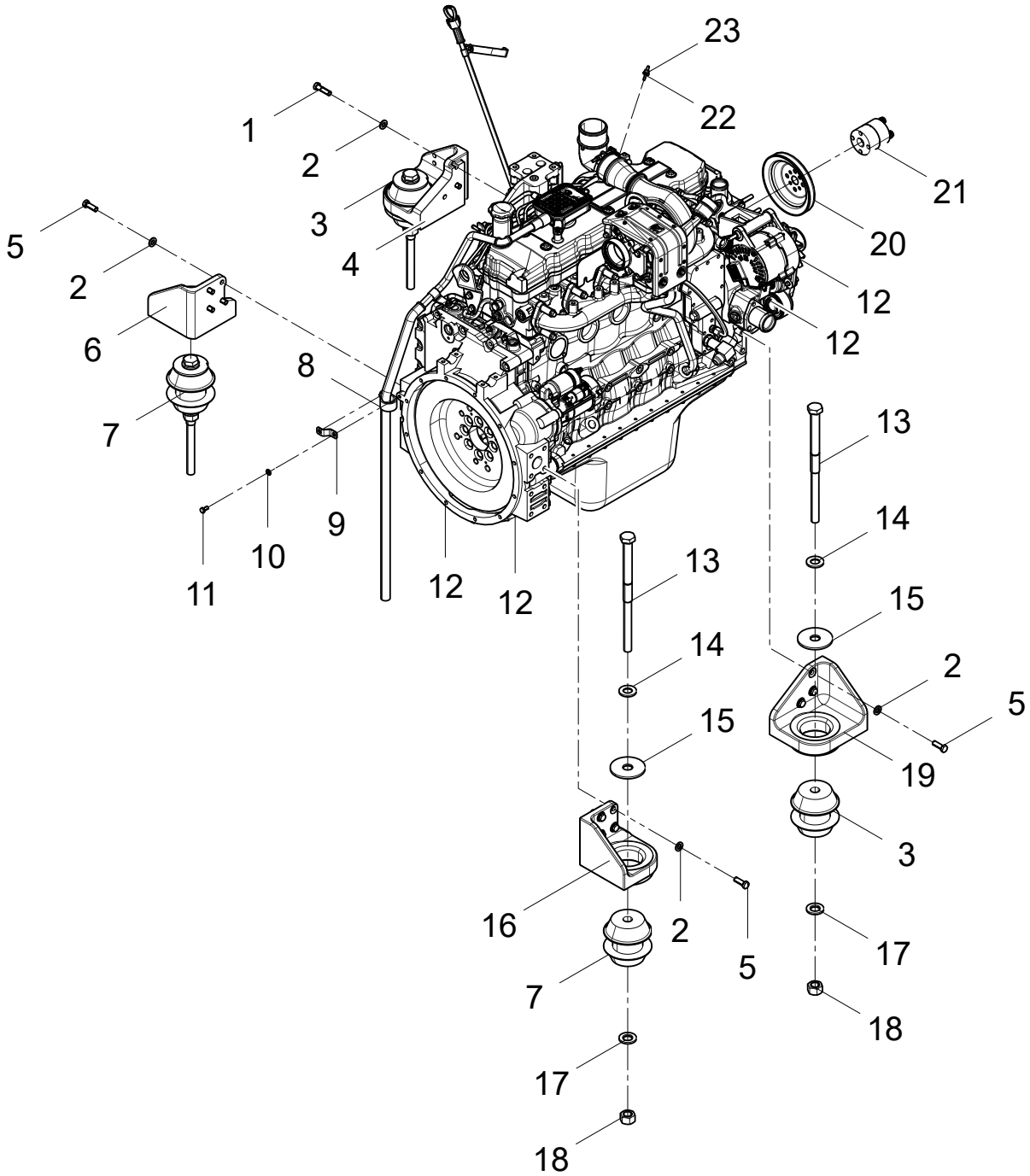
(30601007915)
PUMP MOUNTING SYSTEM



**(30601007915)
PUMP MOUNTING SYSTEM**

NO.	S.C	PART NAME	PART NAME	CODE	QTY	NOTE
1	30601106335		HEEL PLATE	LG6270E. 01. 04-01	1	
2	60900009924		WASHER 10	Q/LG12003	12	
3	51204101422	M10×40	BOLT M10×40	GB/T5783	4	
4	60300003121	R902562097	MAIN PUMP(R902562097)	A28V0130E71CP0/10DRVG3R1 2F1B2S40-0	1	
4	16857130421		PISTON PUMP ASSEMBLY	L28P130C. 00	1	
5	51204101222	M10×30	BOLT M10×30	GB/T5783	8	
6	60100008822		COUPLING	CF-H-110-Z0-11281	1	

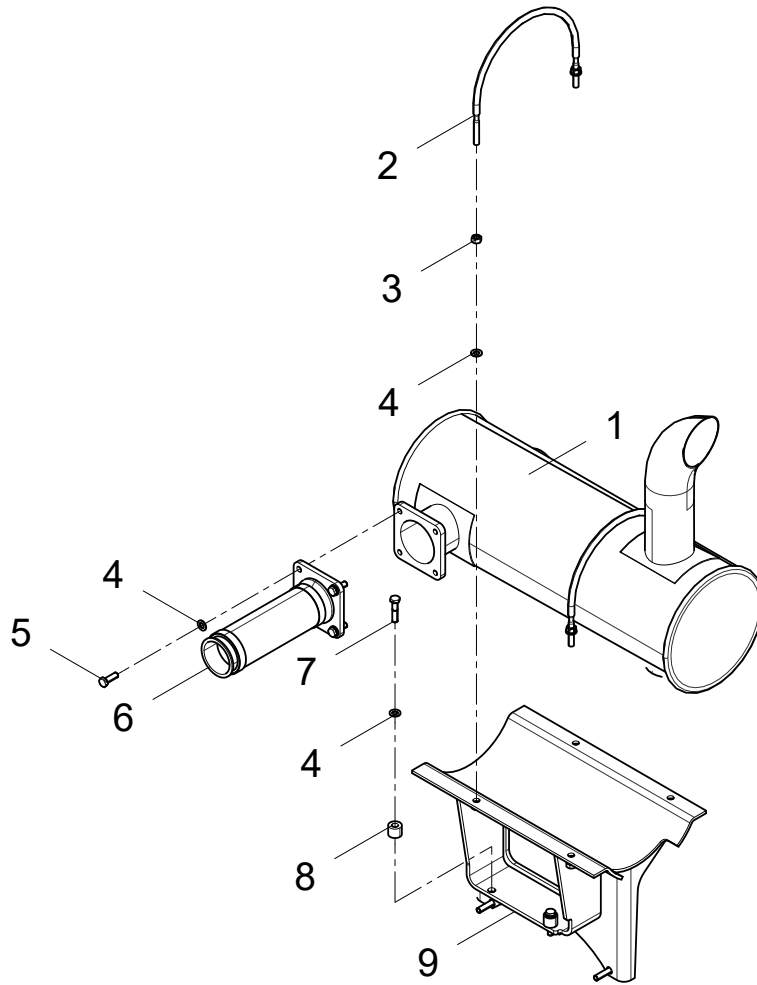
(30601008116)
ENGINE MOUNTING SYSTEM



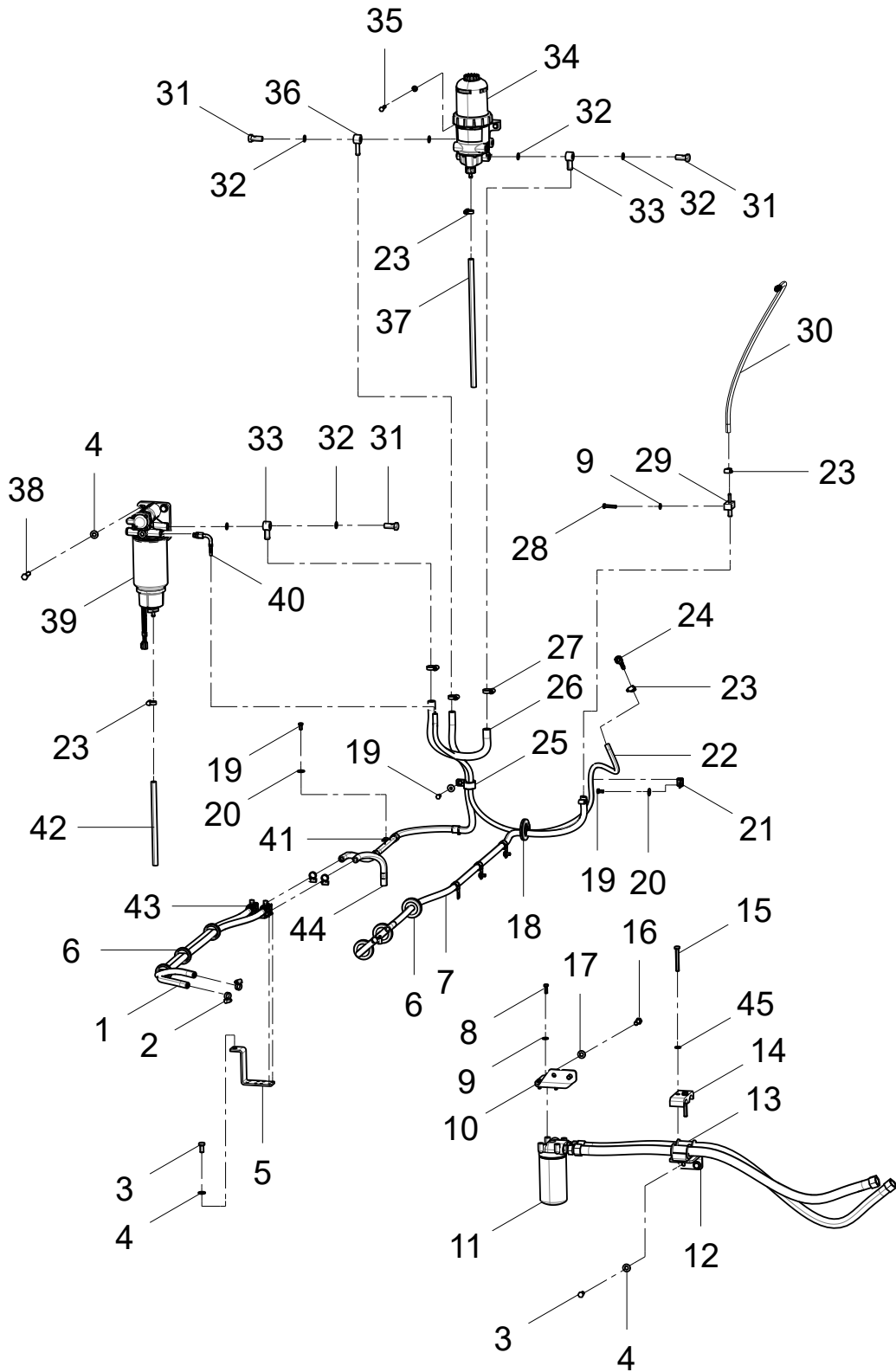
(30601008116)
ENGINE MOUNTING SYSTEM

NO.	S.C	PART NAME	PART NAME	CODE	QTY	NOTE
1	51203111521	M12×45	BOLT M12×45	GB/T5782	3	
2	60900009832	12	WASHER 12	Q/LG12003	14	
3	60100002856		FRONT SHOCK ABSORBER	Y20. 01-12221-1150	4	
4	30601111466		LEFT REAR SUPPORT	CDM6225E. 01A. 03-03	1	
5	51204111322	M12×35	BOLT M12×35	GB/T5783	11	
6	30601111467		RIGHT REAR SUPPORT	CDM6225E. 01A. 03-04	1	
7	60100002857		REAR SHOCK ABSORBER	Y20. 01-12221-1160	4	
8	60100009702	Φ35	CLIP Φ35	B11068G0	1	
9	30601007406		WASTE PIPE BRACKET	LG6220E. 01. 03. 01	1	
10	60900009923	8	WASHER 8	Q/LG12003	2	
11	51204090922	M8×16	BOLT M8×16	GB/T5783	2	
12	60100009350		ENGINE	QSB6. 7-C190-31 (S046251)	1	
12	60100009358		ENGINE	QSB6. 7-C190-31 (S046273)	1	
12	60100008963		ENGINE	QSB6. 7-C170-31 (S045970)	1	
12	60200008638	0.96	ENGINE	QSB6. 7-C170-31 (S046120)	1	
13	51203173621	M24×200	BOLT M24×200	GB/T5782	4	
14	60900009929	24	WASHER 24	Q/LG12003	4	
15	30601100155		WASHER	LG6230. 01-08	4	
16	30601111464		RIGHT FRONT SUPPORT	CDM6225E. 01A. 03-01	1	
17	30601100550		ADJUSTING WASHER	LG6270. 01-13	4	
18	30601013538	M24	THREADED SEAT M24	LG6225K6. 01. 02-01	4	
19	30601111465		LEFT FRONT SUPPORT	CDM6225E. 01A. 03-02	1	
20	60206000180		BELT PULLEY	3919624	1	
21	30601112966	33.1mm	FAN BLOCK 33.1mm	CDM6225E. 01A. 03-05	1	
22	60900009922	6	WASHER 6	Q/LG12003	1	
23	51307000819	M6	NUT M6	GB/T6170	1	

(30601013486)
EXHAUST ASSEMBLY



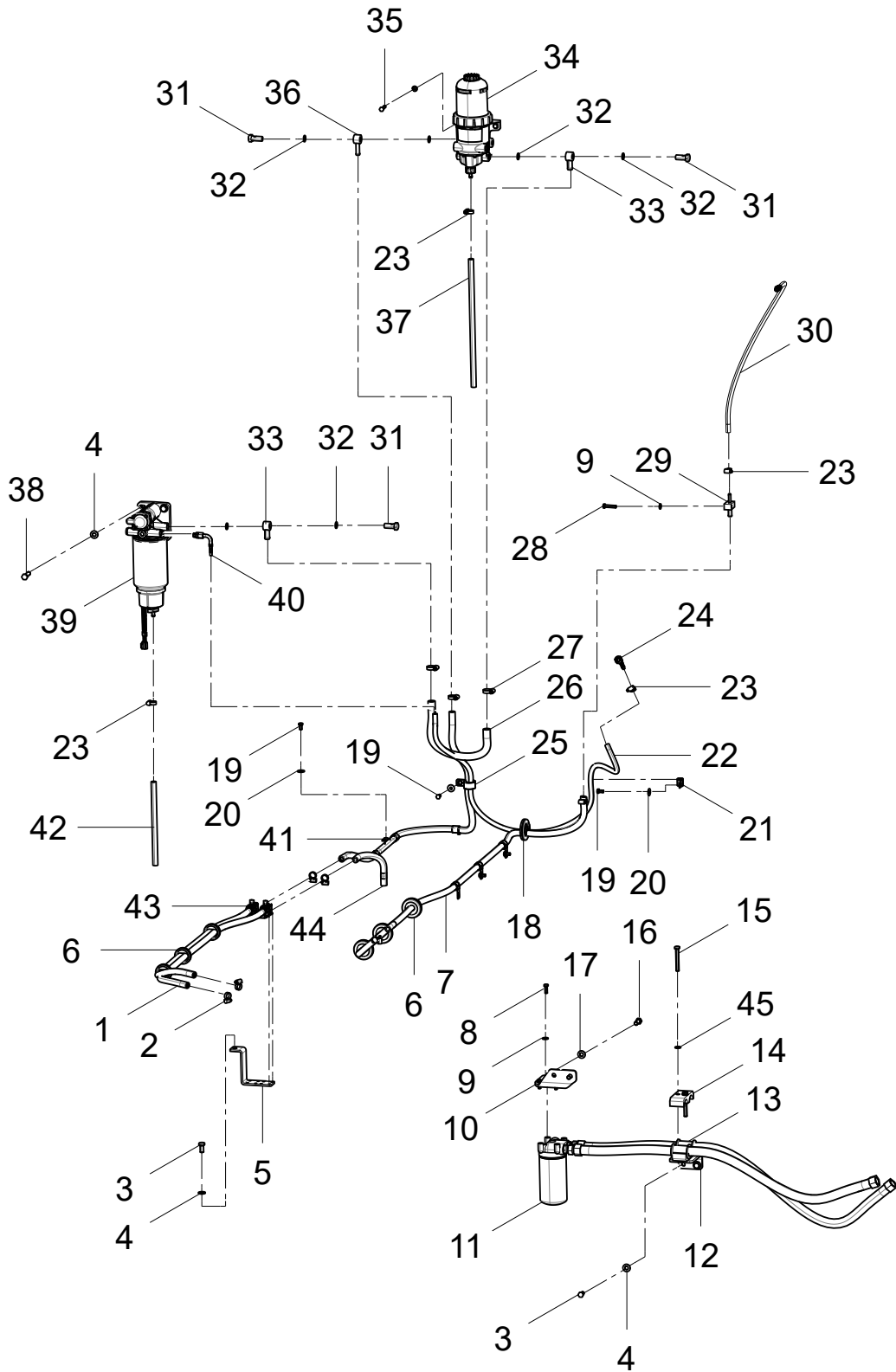
(30601013657)
FUEL LUBRICATION ASSEMBLY



(30601013657)
FUEL LUBRICATION ASSEMBLY

NO.	S.C	PART NAME	PART NAME	CODE	QTY	NOTE
1	56964010501	12×21×1450	HOSE 12×21×1450	JB/T6015	3	
2	56902002302	A-12-22/9	CLAMP A-12-22/9	DIN3017-1	9	
3	51204111122	M12×25	BOLT M12×25	GB/T5783	3	
4	60900009832	12	WASHER 12	Q/LG12003	7	
5	30601106642		VALVE BRACKET	LG6225W. 01. 05-03	1	
6	30613100313		RUBBER SHEATH	LG6075. 13-01	6	
7	56964005501	12×21×2600	HOSE 12×21×2600	JB/T6015	1	
8	51204091122	M8×25	BOLT M8×25	GB/T5783	4	
9	60900009923	8	WASHER 8	Q/LG12003	3	
10	30601120559		ENGINE OIL FILTER BRACKET	CDM6225S. 01. 01-01	1	
11	60308000355		OIL FILTER	LF9135	1	
12	30601013490		ENGINE OIL PIPE BRACKET	CDM6225S. 01. 01. 02	1	
13	30601110622		ENGINE OIL PIPE RUBBER SHEATH	LG6485E6. 01. 03-02	2	
14	30601110670		ENGINE OIL PIPE CLAMP	LG6485E6. 01. 03-01	2	
15	51203102221	M10×80	BOLT M10×80	GB/T5782	2	
16	51204111222	M12×30	BOLT M12×30	GB/T5783	2	
17	51420110122	12	WASHER 12	GB/T96. 1	2	
18	30601116435		RUBBER RING	LG6225W2. 01. 01-02	1	
19	51204090922	M8×16	BOLT M8×16	GB/T5783	8	
20	51420090122	8	WASHER 8	GB/T96. 1	7	
21	60100009697	Φ15	CLIP Φ15	B11068B0	1	
22	56964000701	8×15.5×1500	HOSE 8×15.5×1500	JB/T6015	1	
23	56902001602	A-10-16/9	CLAMP A-10-16/9	DIN3017-1	6	
24	60900000972	Φ7.89-90	Φ7.89-90° JOINT	NQS NW5/16-90°	1	
25	60100009702	Φ35	CLIP Φ35	B11068G0	1	
26	30601110618	16×25×420	HOSE 16×25×420	LG6485E6. 01. 03. 05	1	
27	56902002002	A-16-25/9	CLAMP A-16-25/9	DIN3017-1	2	
28	51204091422	M8×40	BOLT M8×40	GB/T5783	1	
29	30601014332	Φ9-Φ13	TRANSITION HOSE Φ9-Φ13	LG6225F3. 01. 01. 01	1	
30	56964009301	8×15.5×750	HOSE 8×15.5×750	JB/T6015	1	
31	30601112605	M16×1.5-38	HINGED BOLT M16×1.5-38	LG6240F. 01. 01-10	3	
32	60980002957	16	SEAL WASHER	16JB982-77	6	
33	30601011239		HINGED CONNECTOR	LG6486E1. 01. 01. 02	2	
34	60100002509		WATER SEPARATOR	FH23800M	1	
35	51204091322	M8×35	BOLT M8×35	GB/T5783	2	
36	30601008457	M16-12	HINGED BODY M16-12	LG6240F. 01. 01. 06	1	
37	56964007301	9.5×17.5×460	HOSE 9.5×17.5×460	JB/T6015	1	
38	51203111521	M12×45	BOLT M12×45	GB/T5782	2	

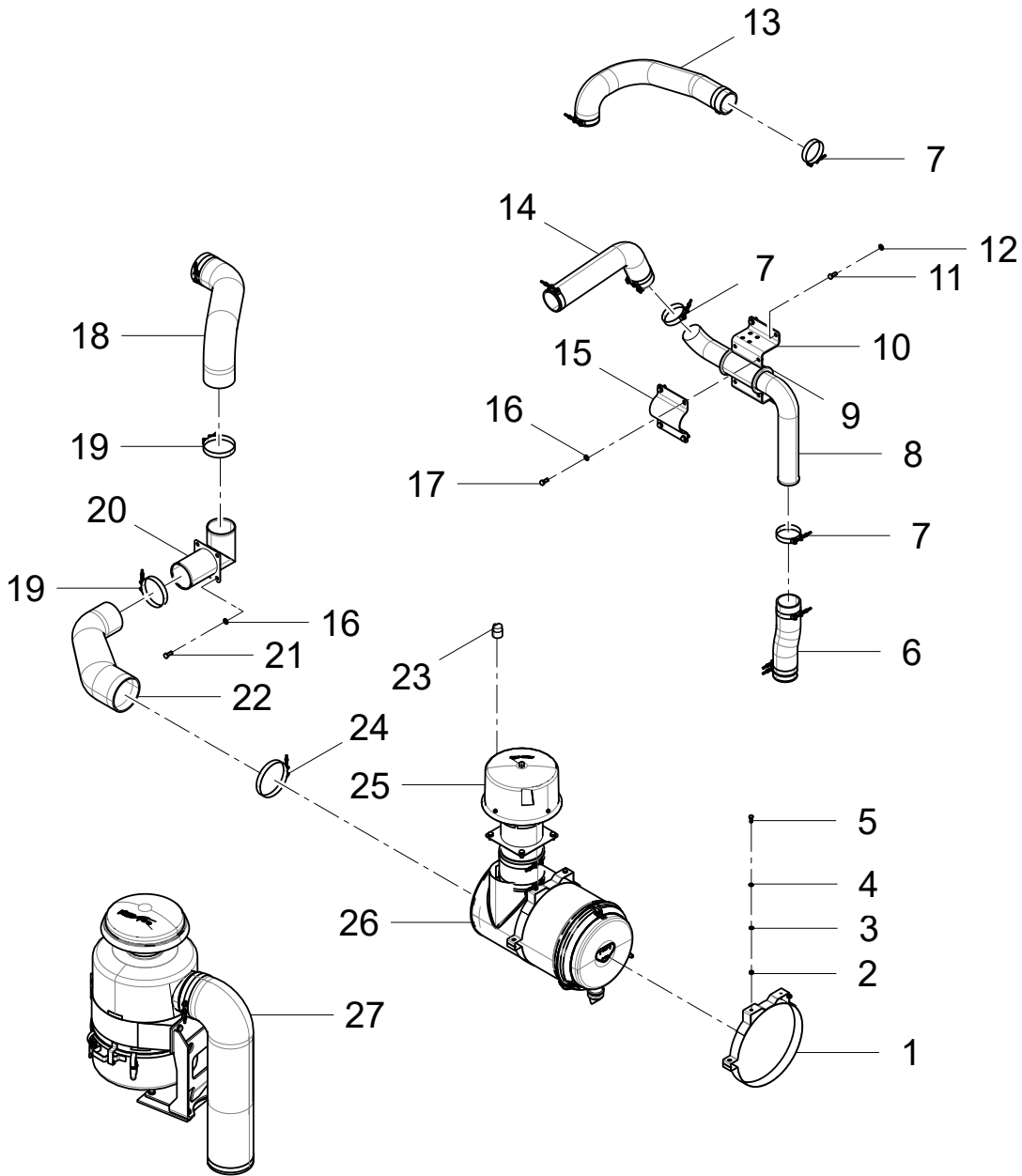
(30601013657)
FUEL LUBRICATION ASSEMBLY



FUEL LUBRICATION ASSEMBLY

NO.	S.C	PART NAME	PART NAME	CODE	QTY	NOTE
39	60900006893		WATER SEPARATOR WITH PUMP	FH21320	1	
40	60300000158	M16 × 1.5-Φ8	RIGHT ANGLE CROSSOVER JOINT M16 × 1.5-Φ8	S80400	1	
41	60100009698	Φ 19	CLIP Φ19	B11068C0	6	
42	56964008501	9.5 × 17.5 × 300	HOSE 9.5 × 17.5 × 300	JB/T6015	1	
43	60100001736		WATER DRAIN VALVE ASSEMBLY	12-3/8-12	2	
44	56964010301	12 × 21 × 300	HOSE 12 × 21 × 300	JB/T6015	1	
45	60900009924	10	WASHER 10	Q/LG12003	2	

(30601013658)
AIR INTAKE ASSEMBLY

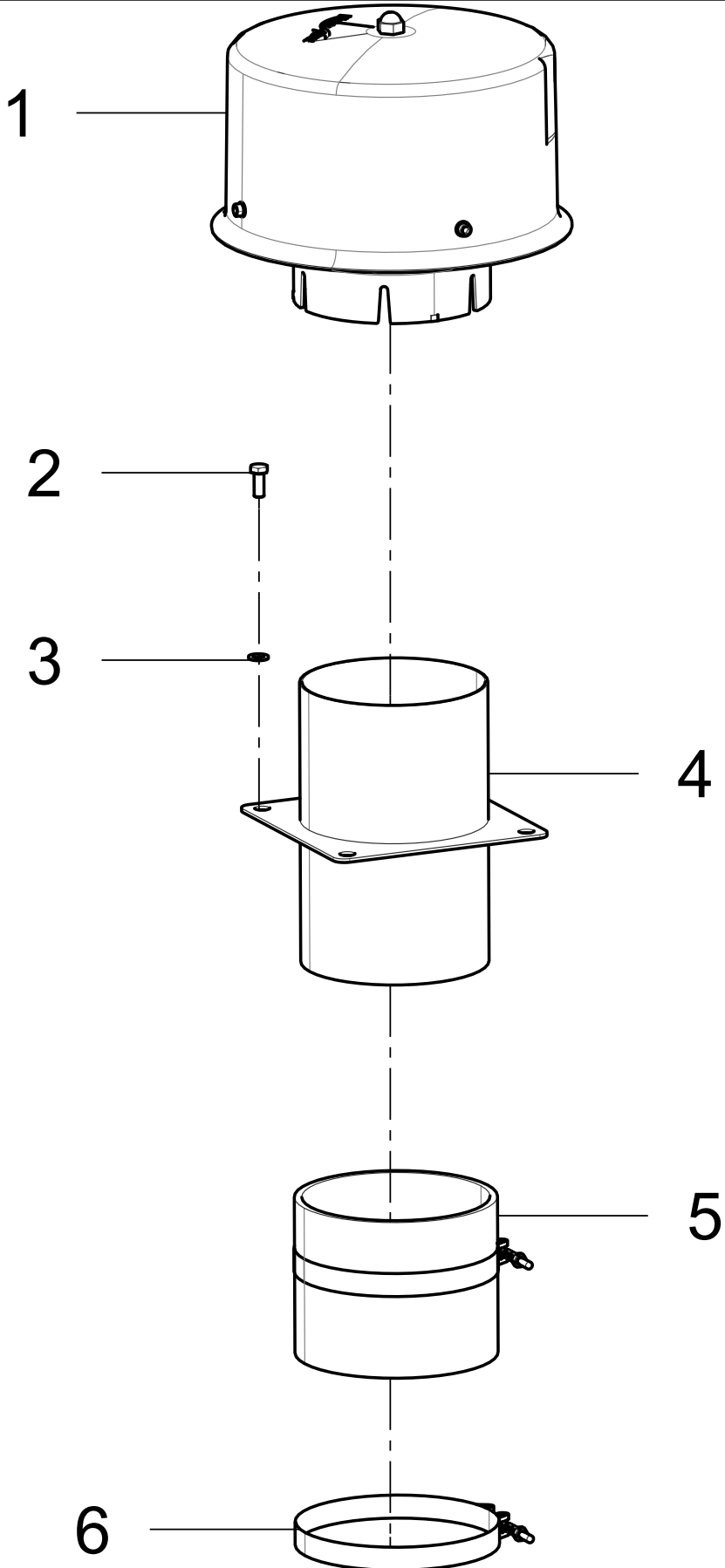


(30601013658)
AIR INTAKE ASSEMBLY

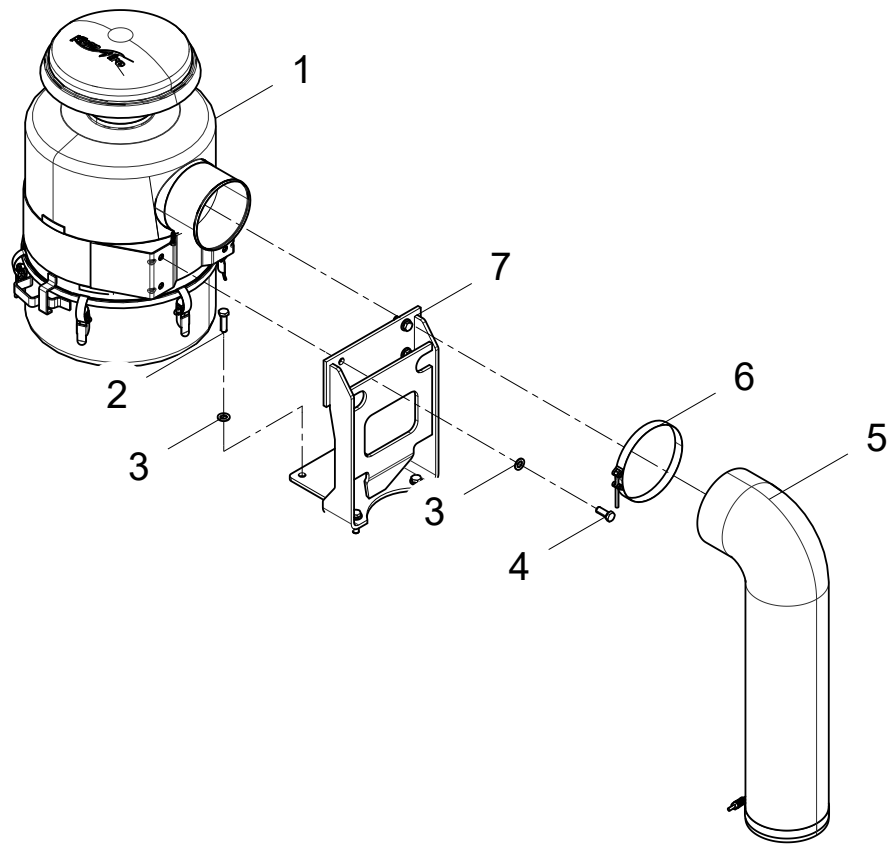
NO.	S.C	PART NAME	PART NAME	CODE	QTY	NOTE
1	60911011049		BEAM CLAMP	P013722	2	
2	51307000922	M8	NUT M8	GB/T6170	4	
3	51420090122	8	WASHER 8	GB/T96. 1	4	
4	60900009923	8	WASHER 8	Q/LG12003	4	
5	51204091022	M8×20	BOLT M8×20	GB/T5783	4	
6	30601111474		INTERCOOLER INLET HOSE	CDM6225E. 01A. 04-07	1	
7	56931002001	SLTB-82-90/19	CLAMP SLTB-82-90/19	SAE J1508	10	
8	30601111943		INTERCOOLER INLET TUBE	LG6225K6. 01. 03-02	1	
9	30601111471	76×175	TUBE PIPE RUBBER SHEATH 76×175	CDM6225E. 01A. 04-04	1	
10	30601007835		INTERCOOLER INLET TUBE BRACKET	CDM6225E. 01A. 04. 03	1	
11	51204111222	M12×30	BOLT M12×30	GB/T5783	4	
12	51420110122	12	WASHER 12	GB/T96. 1	4	
13	30601111942		ENGINE INLET HOSE	LG6225K6. 01. 03-01	1	
14	30601111477		HOSE	CDM6225E. 01A. 04-10	1	
15	30601111472		INTERCOOLER INLET TUBE PLATE	CDM6225E. 01A. 04-05	1	
16	60900009924	10	WASHER 10	Q/LG12003	8	
17	51204101222	M10×30	BOLT M10×30	GB/T5783	4	
18	30601120738		TURBO INLET HOSE	LG6225E1. 01. 04-01	1	
19	56931000301	SLTB-108-116/19	CLAMP SLTB-108-116/19	SAE J1508	3	
20	30601013661		AIR FILTER OUTLET HARD TUBE	LG6225E1. 01. 04. 01	1	
21	51204101022	M10×20	BOLT M10×20	GB/T5783	4	
22	30601121179		AIR FILTER OUTLET HOSE	LG6225E1. 01. 04-02A	1	
23	60100003563		AIR FILTER ALARM	X770774	1	
24	56931000401	SLTB-133-141/19	CLAMP SLTB-133-141/19	SAE J1508	1	
25	30601008227		STRAIGHT-THROUGH PRE- FILTRATION SYSTEM	CDM6225E. 01A. 04. 06	1	
26	60100008808		AIR FILTER	G138611	1	
27	30601013491		OIL-BATH TYPE AIR CLEANER ASSEM BLY	CDM6225S. 01. 04. 01	1	

(30601008227)

STRAIGHT-THROUGH PRE-FILTRATION SYSTEM



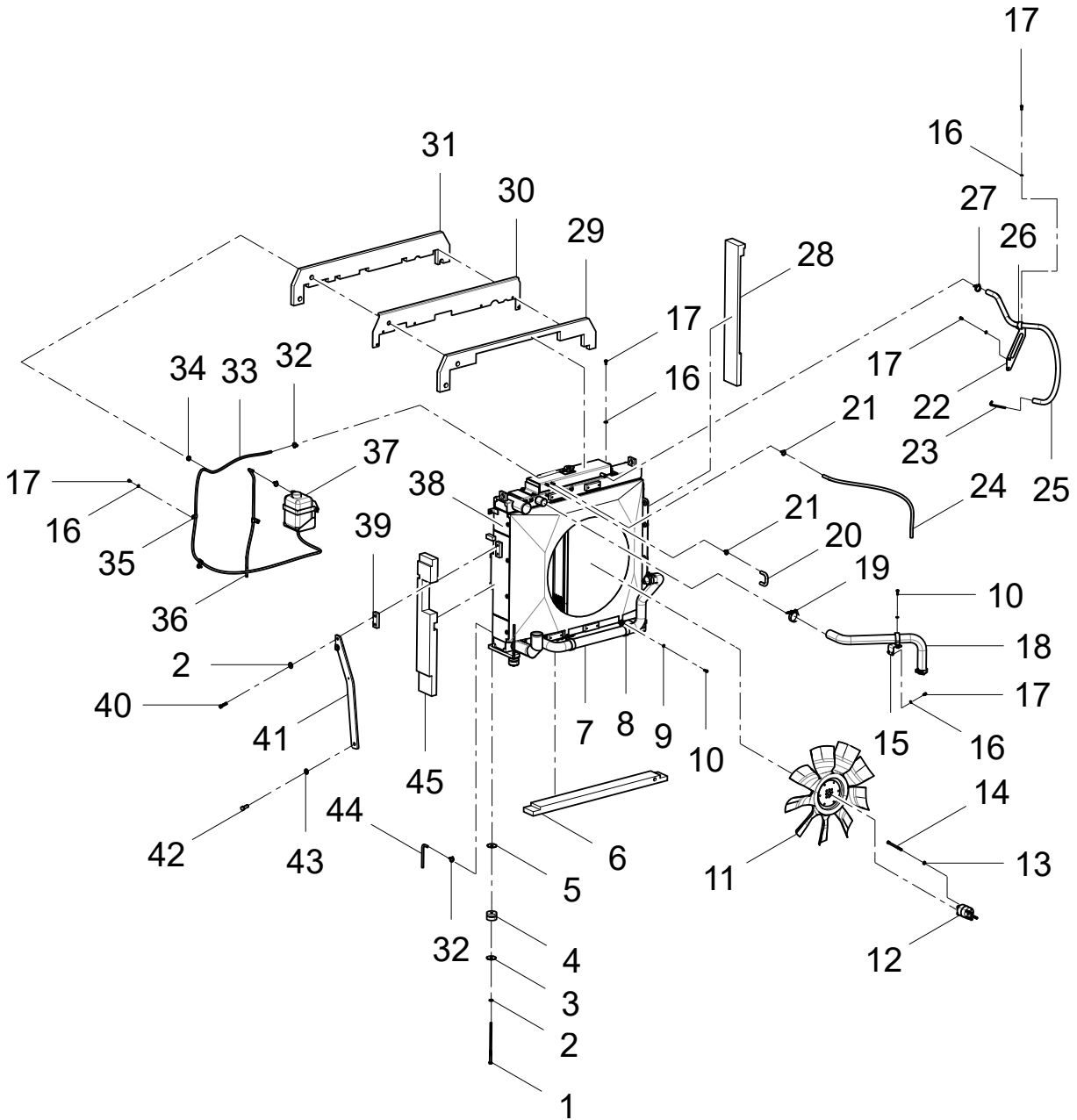
(30601013491)
OIL-BATH TYPE AIR CLEANER ASSEMBLY



(30601013491)
OIL-BATH TYPE AIR CLEANER ASSEMBLY

NO.	S.C	PART NAME	PART NAME	CODE	QTY	NOTE
1	60100002003		OIL-BATH TYPE AIR CLEANER	KAB68-60-0000A	1	
2	51204111422	M12×40	BOLT M12×40	GB/T5783	4	
3	60900009832	12	WASHER 12	Q/LG12003	8	
4	51204111222	M12×30	BOLT M12×30	GB/T5783	4	
5	30601120572		PREFILTER OUTLET HOSE	CDM6225S. 01. 04. 01-01	1	
6	56931004301	SLTB-160-168/19	CLAMP SLTB-160-168/19	SAE J1508	2	
7	30601008229		BRACKET	CDM6225E. 01A. 04. 05. 02	1	

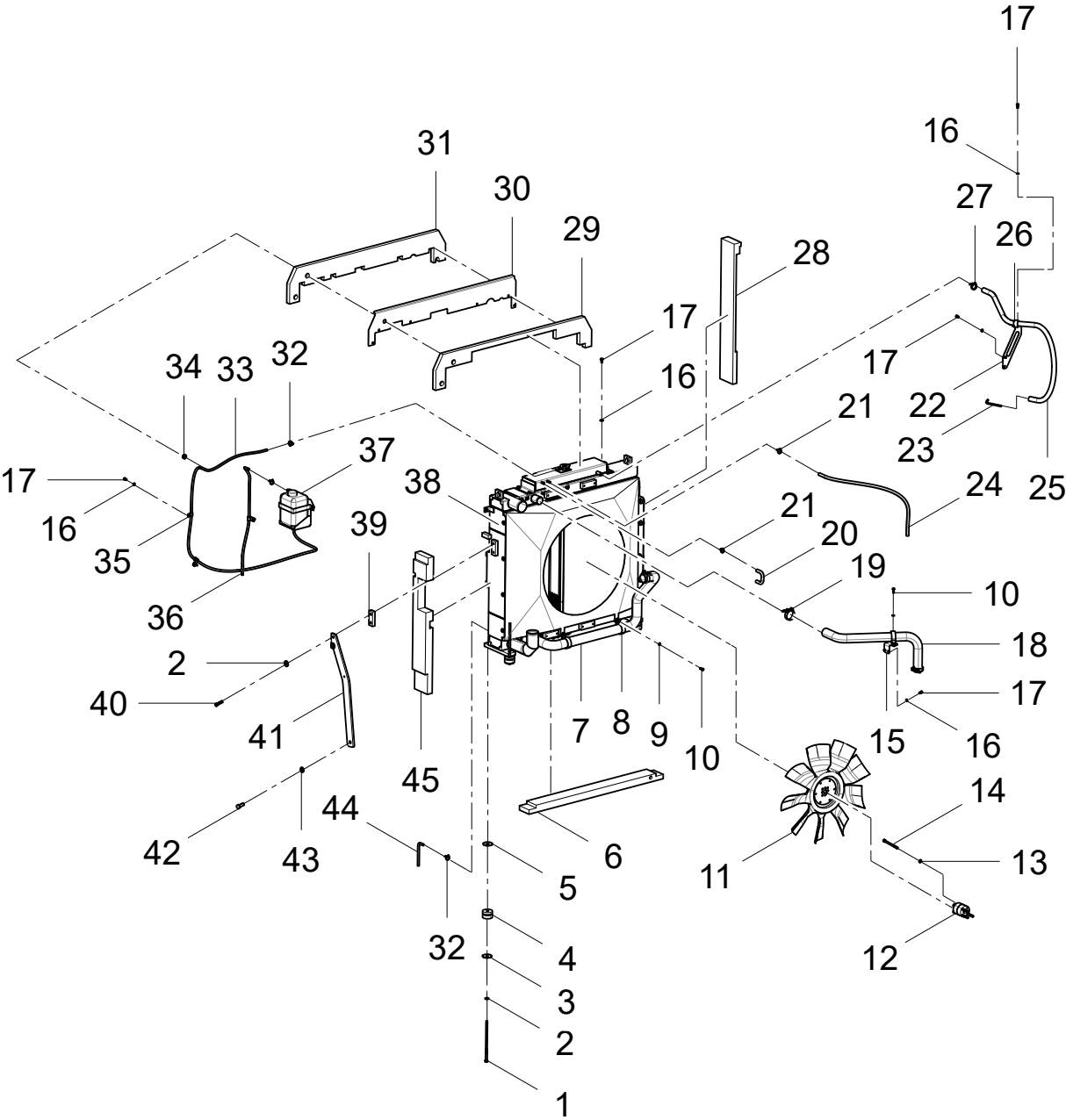
(30601013659)
COOLING ASSEMBLY



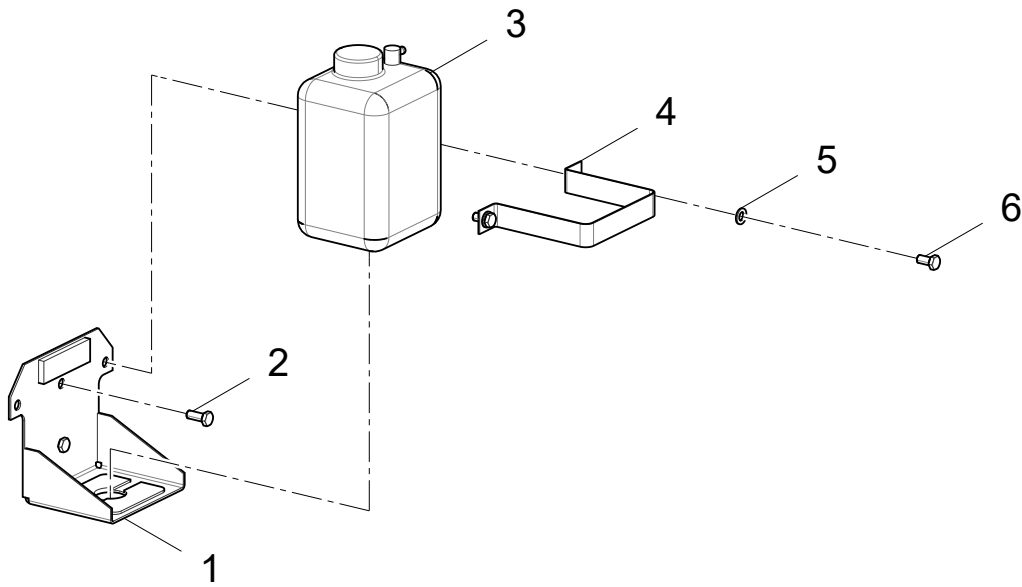
(30601013659)
COOLING ASSEMBLY

NO.	S.C	PART NAME	PART NAME	CODE	QTY	NOTE
1	51203112221	M12×80	BOLT M12×80	GB/T5782	4	
2	60900009832	12	WASHER 12	Q/LG12003	6	
3	30604100004		ADJUSTING WASHER	LG6065.04-01	4	
4	60922010009		SHOCK PAD ASSEMBLY	8065.208.0000	4	
5	30601110291		STEEL BUSHING	LG6225K.01.04-05	1	
6	30601111456		BOTTOM SPONGE	CDM6225E.01A.02-11	1	
7	30601111938		ENGINE INLET PIPE	LG6225K6.01.01-02	1	
8	56993001001	D1-62/25	CLAMP D1-62/25	DIN3016-1	3	
9	60900009923	8	WASHER 8	Q/LG12003	3	
10	51204091022	M8×20	BOLT M8×20	GB/T5783	2	
11	60100008580		FAN	905650102	1	
12	60100002935		FAN BLOCK	C3910129	2	
13	60900009924	10	WASHER 10	Q/LG12003	4	
14	51203104518	M10×140	BOLT M10×140	GB/T5782	4	
15	30601008115		OUTLET PIPE BRACKET	LG6225K6.01.01.01	1	
16	51420090122	8	WASHER 8	GB/T96.1	10	
17	51204090922	M8×16	BOLT M8×16	GB/T5783	10	
18	30601111937		OUTLET PIPE	LG6225K6.01.01-01	1	
19	60100008809	39-64	COMPENSATING CLAMP 39-64	HG01A3964	4	
20	30601111459		DEGASIFICATION PIPE	CDM6225E.01A.02-14	1	
21	56902001602	A-10-16/9	CLAMP A-10-16/9	DIN3017-1	4	
22	30601007831		CHARGING LINE BRACKET	CDM6225E.01A.02.02	1	
23	60911010649	3/4-19	CROSSOVER JOINT 3/4-19	S80312	1	
24	56964002401	9.5×17.5×1000	HOSE 9.5×17.5×1000	JB/T6015	1	
25	56964010001	19×30×1250	HOSE 19×30×1250	JB/T6015	1	
26	60100009701	Φ30	CLIP Φ30	B11068F0	1	
27	56902002902	A-16-27/9	CLAMP A-16-27/9	DIN3017-1	2	
28	30601120742		FRONT SPONGE	LG6225E1.01.05-01	1	
29	30601120744	2	UPPER HEAT INSULATION SPONGE 2	LG6225E1.01.05-03	1	
30	30601120746		INSULATING PLATE	LG6225E1.01.05-05	1	
31	30601120743	1	UPPER HEAT INSULATION SPONGE 1	LG6225E1.01.05-02	1	
32	56932000101	B-10/8	CLAMP B-10/8	QC/T621	4	
33	60911013227	8×12×1500	HOSE 8×12×1500	HG/T2491	1	
34	30601100071		GUARD RUBBER GASKET	CDM606.01.01-04	1	
35	60100009696	Φ10	CLIP Φ10	B11068A0	1	
36	60911011863	8×12×950	HOSE 8×12×950	HG/T2491	1	
37	30601008331		AUXILIARY WATER TANK ASSEMBLY	LG6240F.01.05.02	1	
38	60100009145		RADIATOR	4973.124.0000	1	

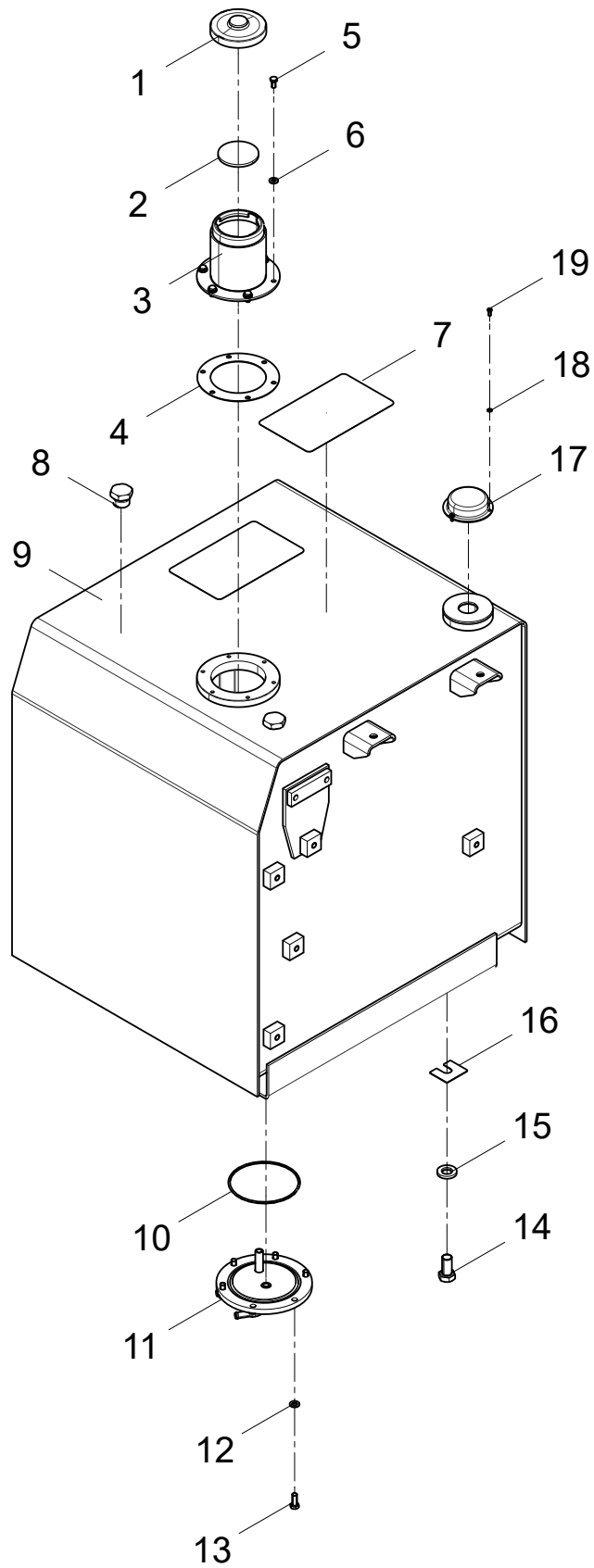
(30601013659)
COOLING ASSEMBLY



(30601008331)
AUXILIARY WATER TANK ASSEMBLY



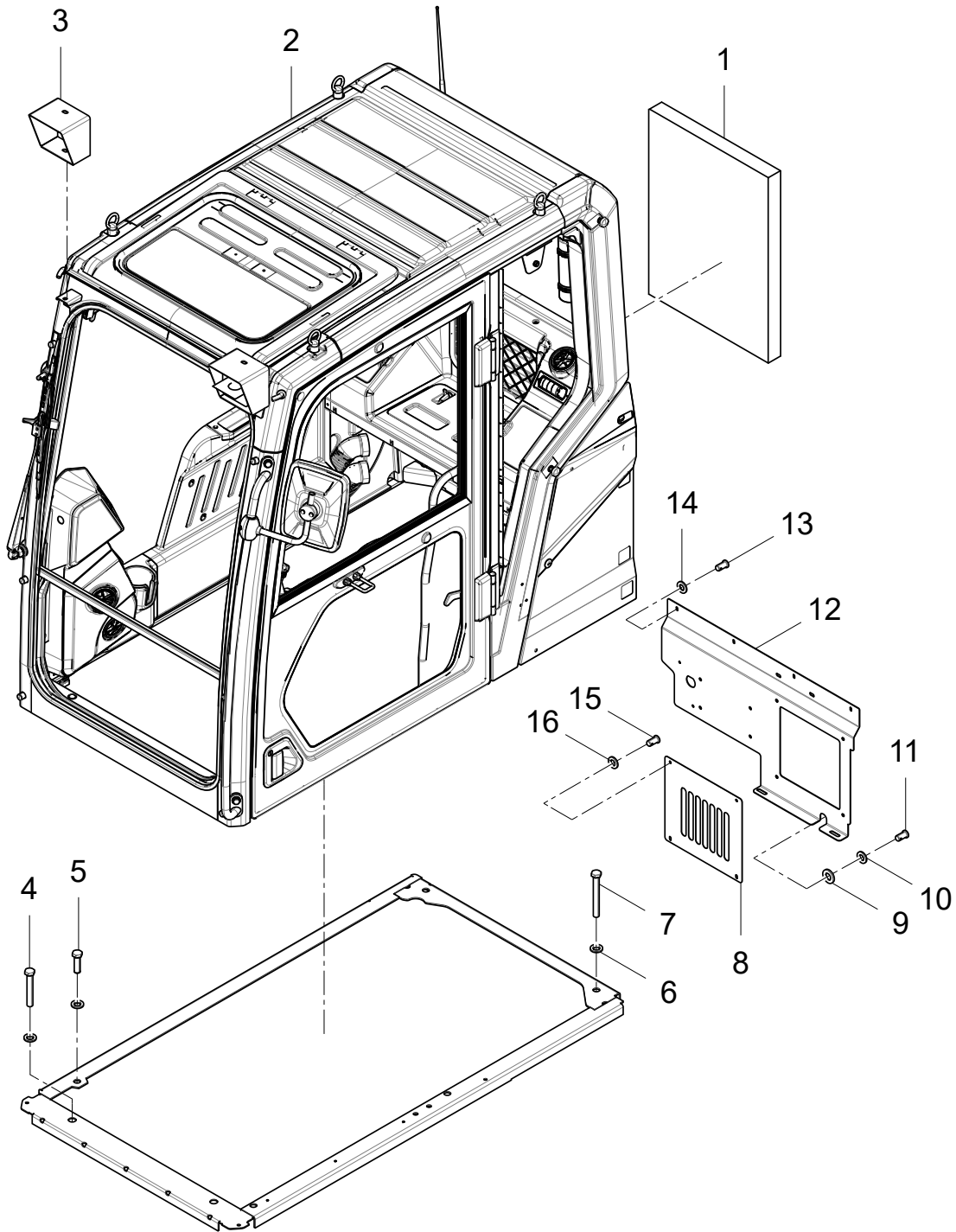
(30603015149)
FUEL TANK ASSEMBLY



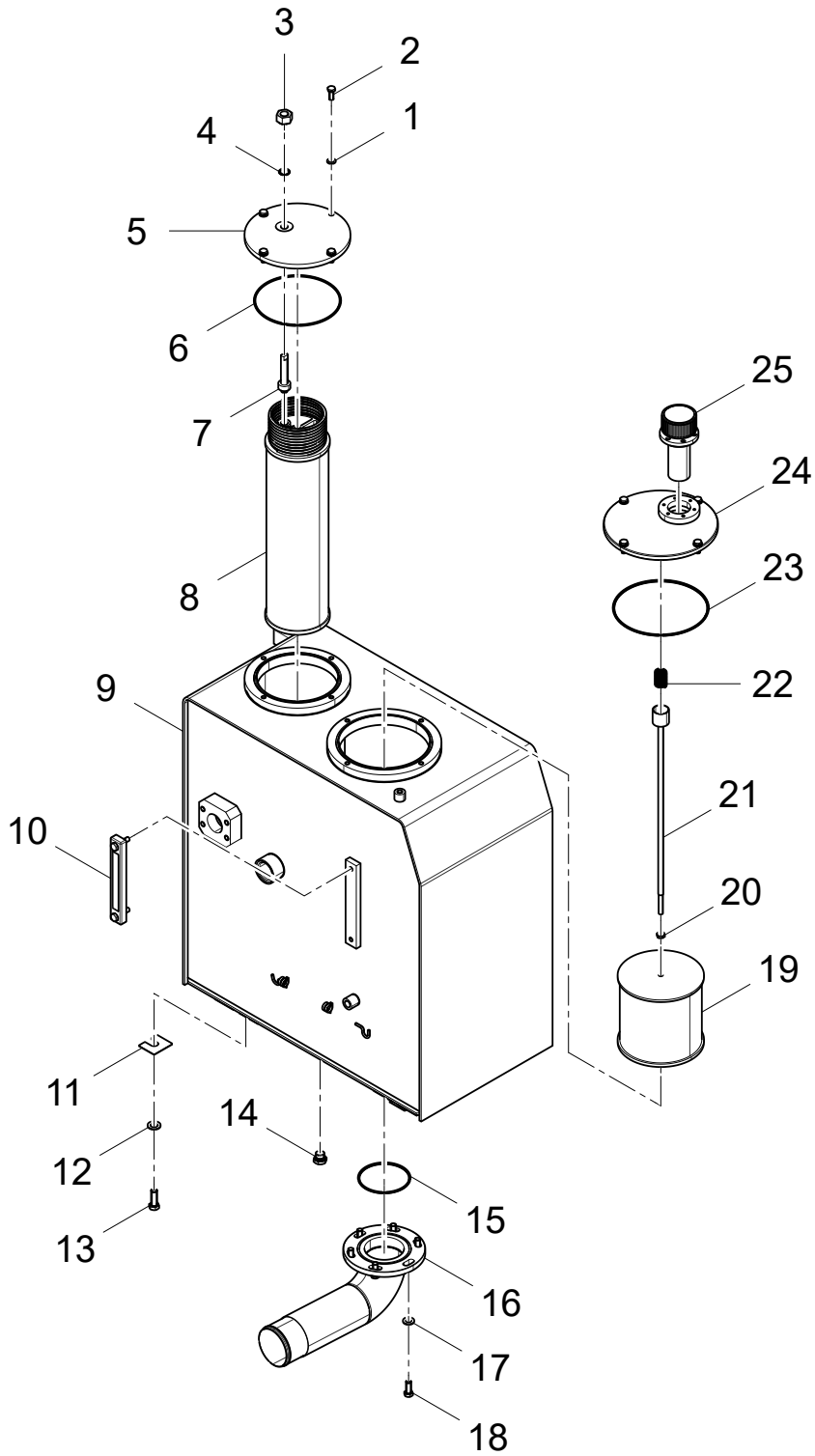
(30603015149)
FUEL TANK ASSEMBLY

NO.	S.C	PART NAME	PART NAME	CODE	QTY	NOTE
1	60980000058		LOCK COVER	NBS1021-1	1	
2	60980003265		FILTER SCREEN	71141	1	
3	30603012517		FILL PORT UNIT	CDM6225E. 03A. 02	1	
4	30603119055	2mm	RUBBER PAD	CDM6225E. 03A-01	1	
5	51204090922	M8×16	BOLT M8×16	GB/T5783	6	
6	60900009923	8	WASHER 8	Q/LG12003	6	
7	30625100078		ANTISKID MAT	LG6230. 25-02	2	
8	60911010391		PLUG	4G-06B2351	2	
9	30603015150		FUEL TANK WELDMENT	LG6205E3. 03A. 01	1	
10	56145018905	140×3. 55	O-RING 140×3.55	GB/T3452. 1	1	
11	30603005645		OIL SUCTION FLANGE	LG6225W. 03. 02	1	
12	60900009924	10	WASHER 10	Q/LG12003	6	
13	51204101122	M10×25	BOLT M10×25	GB/T5783	6	
14	51204151422	M20×40	BOLT M20×40	GB/T5783	4	
15	60900009928	20	WASHER 20	Q/LG12003	4	
16	30604100004		ADJUSTING WASHER	LG6065. 04-01	4	
17	30603100008		COVER	CDM606. 03A-01	1	
18	51421070121	5	WASHER 5	GB/T97. 1	3	
19	51158170410	M5×12	SCREW M5×12	GB/T818	3	

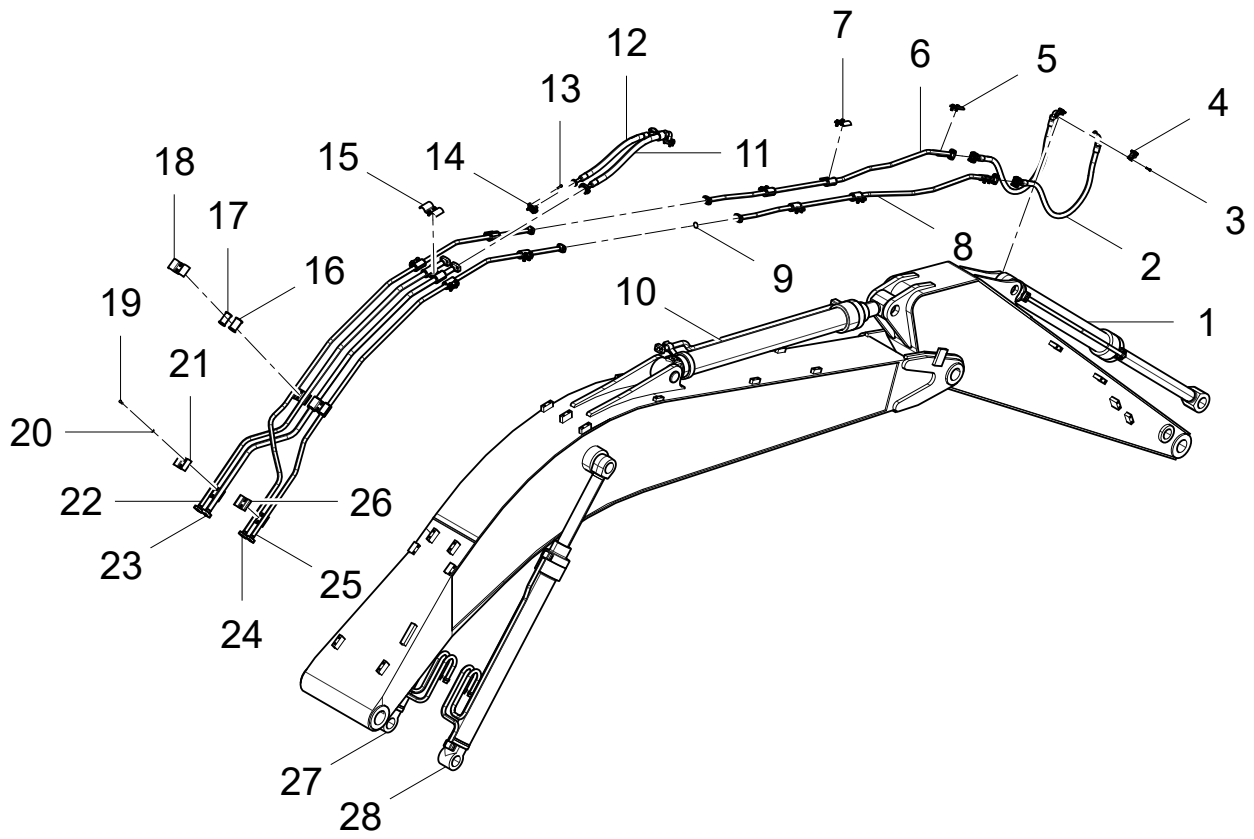
(30604013083)
CABIN ASSEMBLY



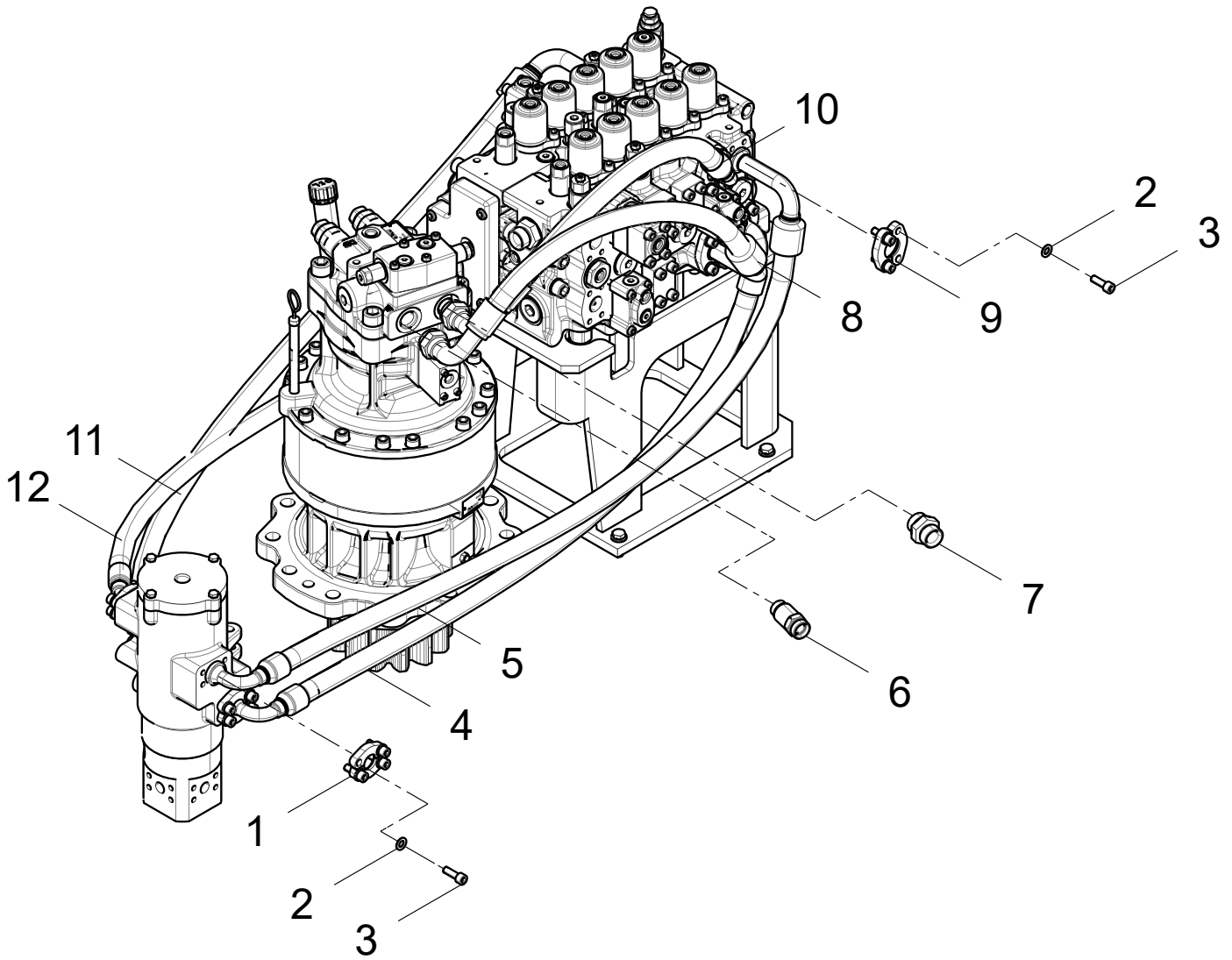
(30602013403)
HYDRAULIC TANK ASSEMBLY



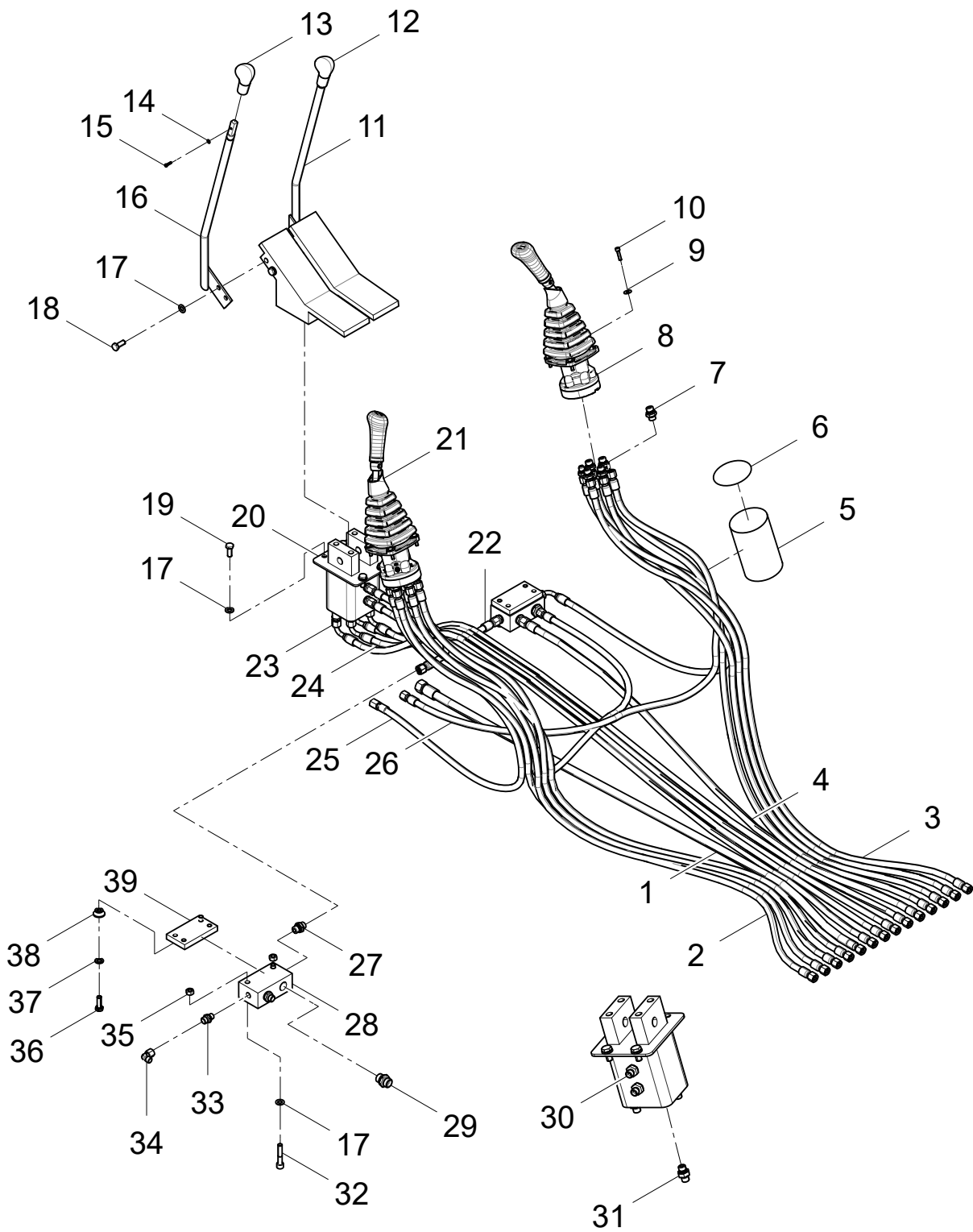
(30605008088)
WORKING DEVICE PIPELINE



(30605011869)
WORKING PIPELINE 2



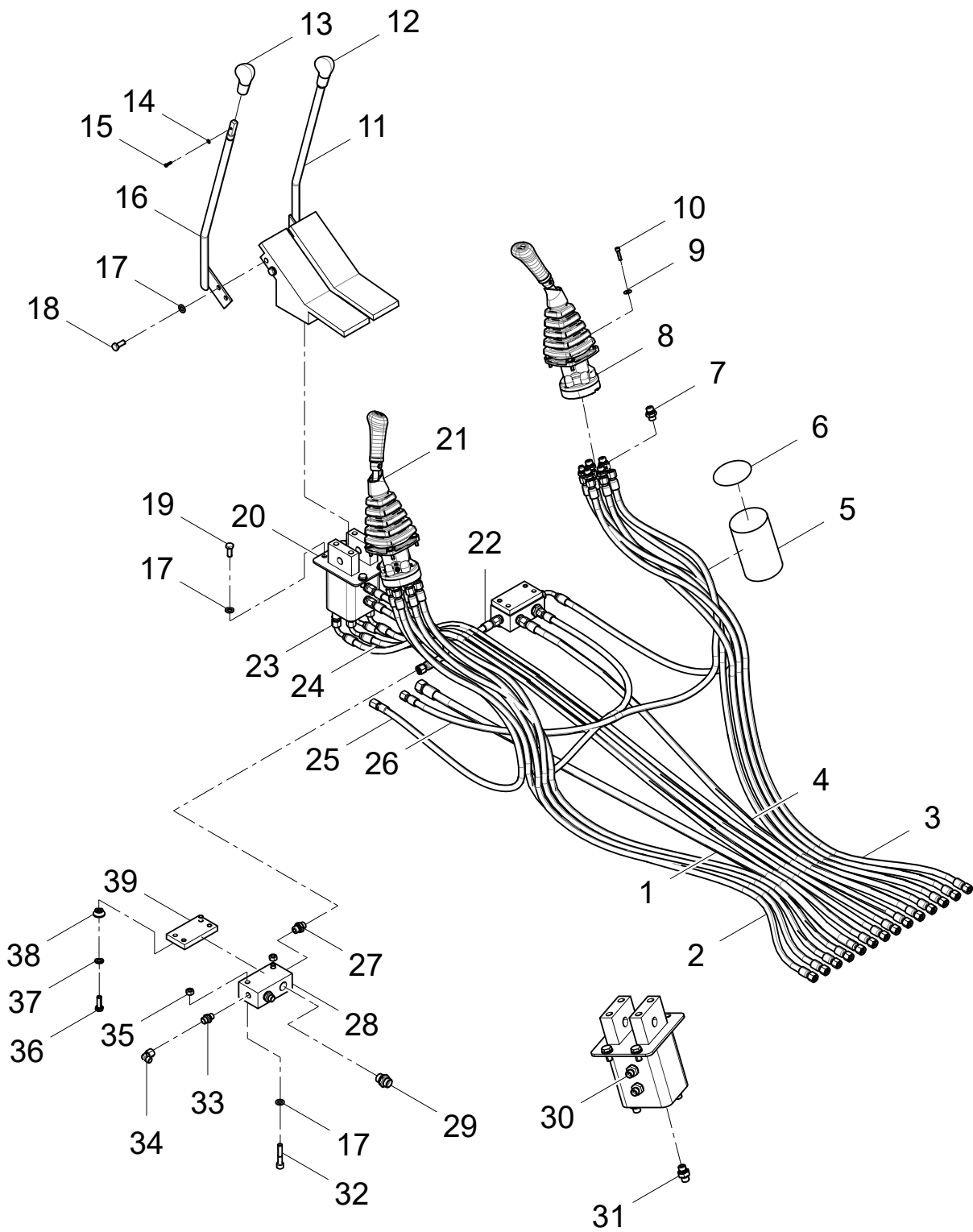
(30605011871)
PILOT PIPELINE 2



(30605011871)
PILOT PIPELINE 2

NO.	S.C	PART NAME	PART NAME	CODE	QTY	NOTE
1	60300010683		HOSE ASSEMBLY	PF421CACE151508-1800-PG1 800	1	
2	60300010686		HOSE ASSEMBLY	PF421CACA121206-1750	3	
3	60300010684		HOSE ASSEMBLY	PF421CACF151508-1700	1	
4	60300010685		HOSE ASSEMBLY	PF421CACA121206-1950	5	
5	60911013209	Φ75×450	BELLOWS Φ75×450	SY-18-B	2	
6	60919010027		NYLON CABLE TIES	Y. L-200	8	
7	60300011214		STRAIGHT CONNECTOR	LW100-1CG-18-04JIS	2	
8	60300000556		RIGHT HAND LEVER	12010277501	1	
9	51420080122	6	WASHER 6	GB/T96. 1	8	
10	51139190508	M6×20	SCREW M6×20	GB/T70. 1	8	
11	30605000171		RIGHT JOYSTICK	LG606C. 05. 03. 01. 02	1	
12	60207010006		HAND LEVER	D60-01-00002	1	
13	60207010022		HAND LEVER	D60-01-00001	1	
14	51421060121	4	WASHER 4	GB/T97. 1	2	
15	51158140710	M4×16	SCREW M4×16	GB/T818	2	
16	30605000170		LEFT JOYSTICK	LG606C. 05. 03. 01. 01	1	
17	60900009924	10	WASHER 10	Q/LG12003	10	
18	51204101022	M10×20	BOLT M10×20	GB/T5783	4	
19	51204101122	M10×25	BOLT M10×25	GB/T5783	4	
20	60300000557		FOOT PEDAL VALVE	12030192701	1	
21	60300000555		LEFT HAND LEVER	12010277401	1	
22	60300009813		HOSE ASSEMBLY	PF481CACA080804-420	2	
23	60300010690		HOSE ASSEMBLY	PF421CACF121206-2150	2	
24	60300010689		HOSE ASSEMBLY	PF421CACF121206-2000	2	
25	60300010688		HOSE ASSEMBLY	PF481CACA121206-1350-PG5 00	2	
26	60300010687		HOSE ASSEMBLY	PF421CACA121206-1650	2	
27	60300009827		STRAIGHT CONNECTOR	1CG-14-04JIS	3	
28	30605100221		PT BLOCK	LG6230. 05. 06-01	2	
29	60300009835		STRAIGHT CONNECTOR	1CG-22-08JIS	2	
30	60300009891		STRAIGHT CONNECTOR	LW100-1CG-14-04JIS	1	
31	60300010644		STRAIGHT CONNECTOR	1CG-18-04JIS	6	
32	51203101821	M10×60	BOLT M10×60	GB/T5782	4	
33	60300009833		STRAIGHT CONNECTOR	1CG-18-06JIS	14	
34	60300009848		RIGHT-ANGLE JOINT	2C9-18	4	
35	51307001022	M10	NUT M10	GB/T6170	2	
36	51204101222	M10×30	BOLT M10×30	GB/T5783	2	
37	51420100122	10	WASHER 10	GB/T96. 1	2	
38	30605000102		SHOCK PAD	LG6230. 05. 01. 05	2	

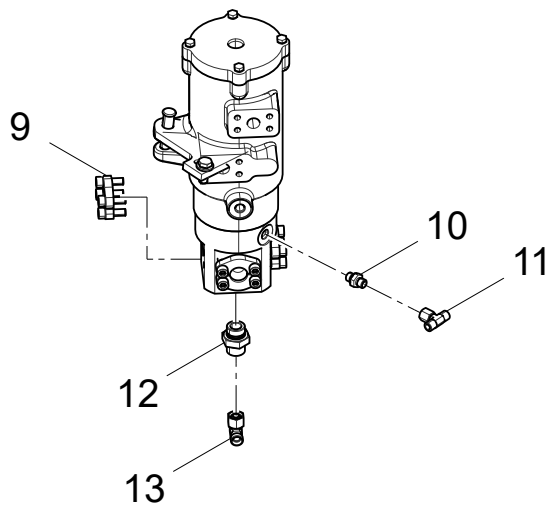
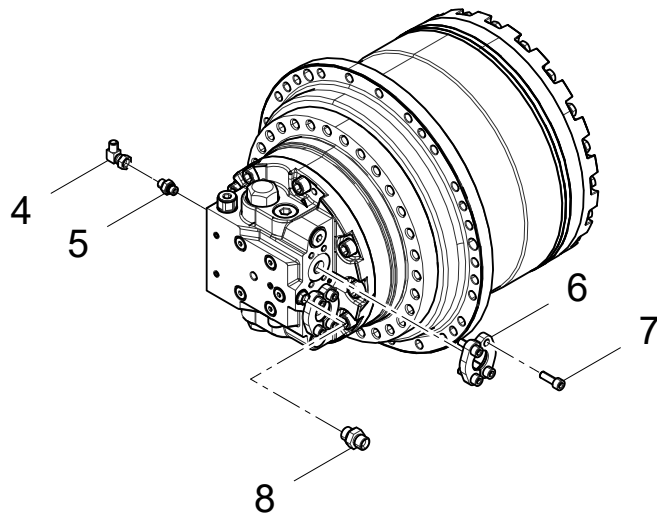
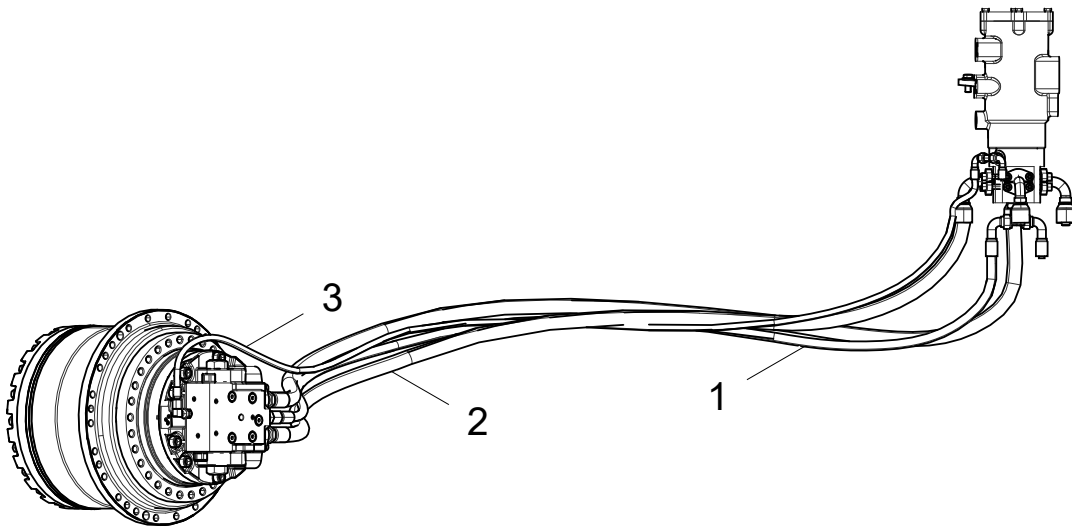
(30605011871)
PILOT PIPELINE 2



PILOT PIPELINE 2

NO.	S.C	PART NAME	PART NAME	CODE	QTY	NOTE
39	30605100220		MOUNTING PLATE	LG6230.05.06-02	1	

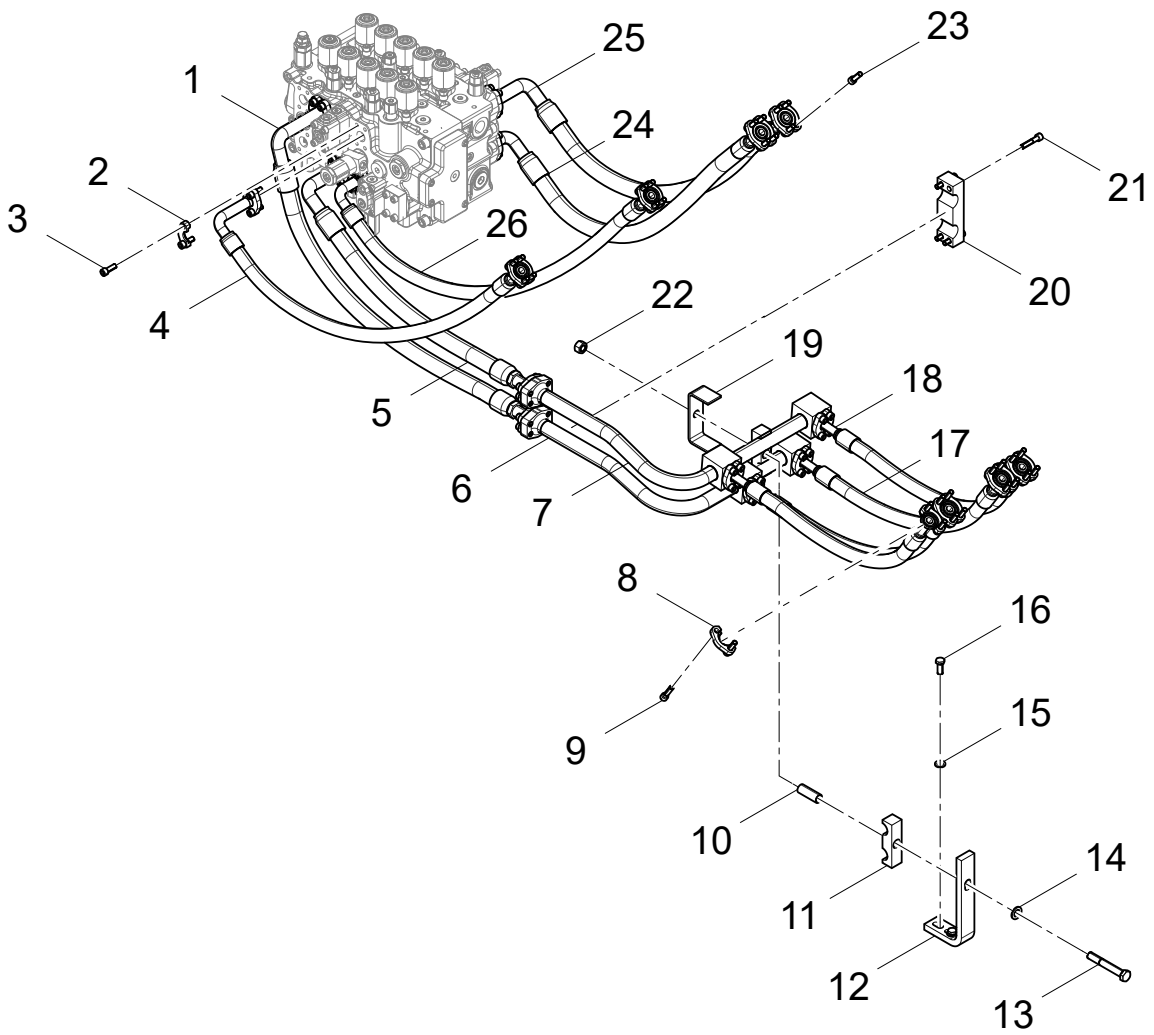
(30605011873)
CHASSIS PIPELINE



(30605011873)
CHASSIS PIPELINE

NO.	S.C	PART NAME	PART NAME	CODE	QTY	NOTE
1	60300010703		HOSE ASSEMBLY	PF481CACF151508-2050	2	
2	60300008911		HOSE ASSEMBLY	F78115191612 (SL120) 12-2200	4	
3	60300010704		HOSE ASSEMBLY	PF481CACF080804-2500-PG2500	2	
3	60300010702		HOSE ASSEMBLY	PF481CACF080804-2300-PG1500	2	
4	60300009846		RIGHT-ANGLE JOINT	2C9-14	1	
5	60300009827		STRAIGHT CONNECTOR	1CG-14-04JIS	2	
6	60911011234		FLANGE CLAMP	FL-16	8	
7	51139220408	M10×30	SCREW M10×30	GB/T70. 1	32	
8	60300009835		STRAIGHT CONNECTOR	1CG-22-08JIS	2	
9	60911010573		FLANGE CLAMP	FL-12	8	
10	60300010646		STRAIGHT CONNECTOR	1CH-14	1	
11	60300009856		T-JOINT	BC-14	1	
12	60300010647		STRAIGHT CONNECTOR	1CH-30-24	1	
13	60300010652		REDUCING T-JOINT	BC-22-30-22W	1	

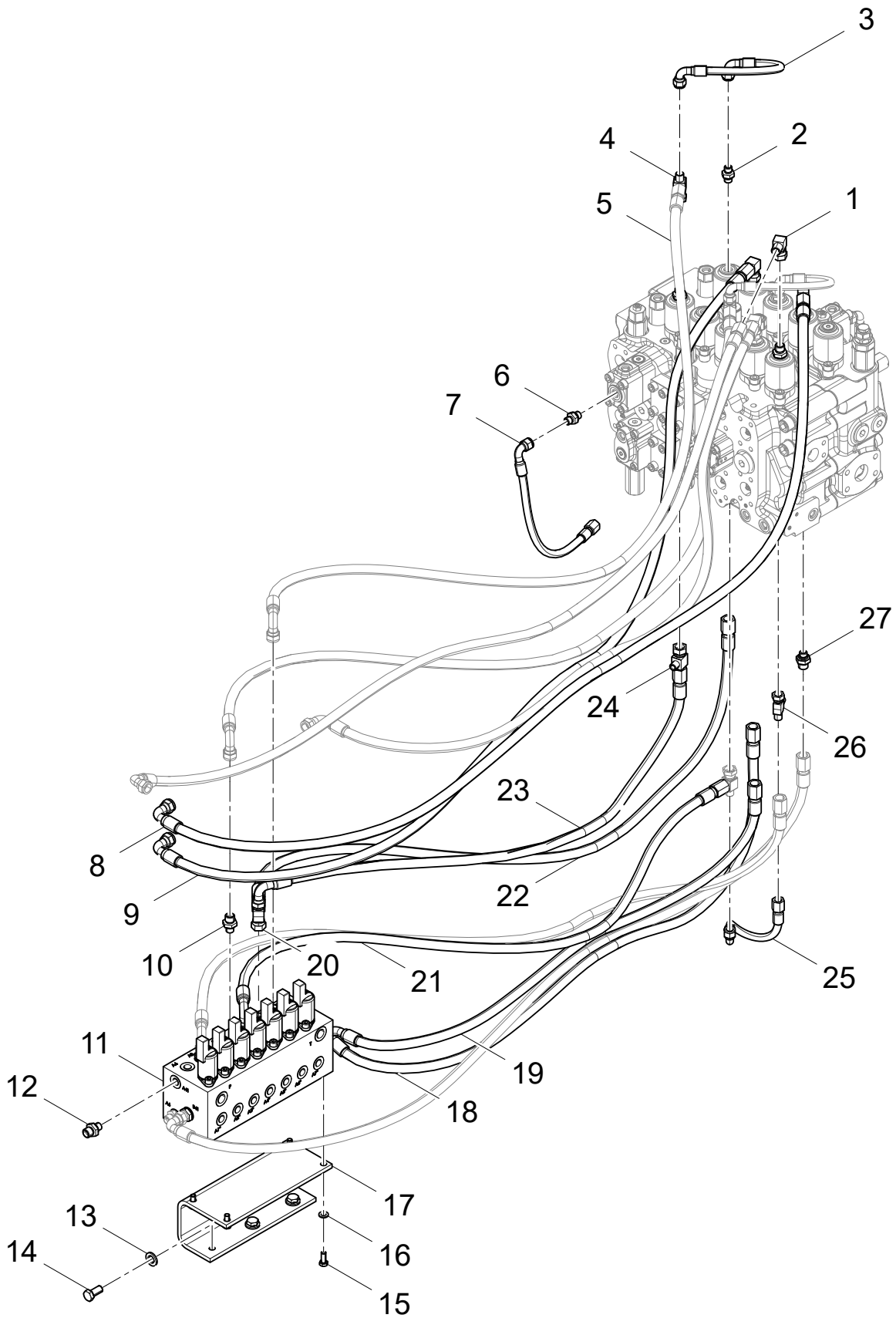
(30605013012)
WORKING PIPELINE 1



(30605013012)
WORKING PIPELINE 1

NO.	S.C	PART NAME	PART NAME	CODE	QTY	NOTE
1	60300011871		HOSE ASSEMBLY	F78115191616(SL160)16-10 20-PG1020	1	
2	60911011234		FLANGE CLAMP	FL-16	20	
3	51139220408	M10×30	SCREW M10×30	GB/T70.1	48	
4	17272006459		HOSE ASSEMBLY	F78115191216(SL120)12-14 00-PG1400	1	
5	60300011872		HOSE ASSEMBLY	F78115191616(SL120)16-84 0-PG840	1	
6	30605013013		BOOM STEEL PIPE(BIG)	LG6205E3.05.03.01	1	
7	30605013014		BOOM STEEL PIPE(SMALL)	LG6205E3.05.03.02	1	
8	60911010573		FLANGE CLAMP	FL-12	20	
9	51139220608	M10×40	SCREW M10×40	GB/T70.1	16	
10	30605100151		STEEL BUSHING	LG6230.05.04-04	1	
11	30605100150		PIPE CLAMP	LG6230.05.04-03	2	
12	30605118478	1	PIPE CLAMP	LG6230.05.03-01(S)	1	
13	51203132721	M16×110	BOLT M16×110	GB/T5782	1	
14	51420130122	16	WASHER 16	GB/T96.1	1	
15	60900009832	12	WASHER 12	Q/LG12003	2	
16	51204111322	M12×35	BOLT M12×35	GB/T5783	2	
17	17272005857		HOSE ASSEMBLY	F7811515121212-960-SG960	2	
18	17272005005		HOSE ASSEMBLY	F7811515121212-980-SG980	2	
19	30605118477		U-PLATE	LG6225K5.05.03-01	1	
20	30605116668		PIPE CLAMP	LG6245E1.05.03-01	1	
21	51139220808	M10×50	SCREW M10×50	GB/T70.1	4	
22	51307001322	M16	NUT M16	GB/T6170	1	
23	51139220508	M10×35	SCREW M10×35	GB/T70.1	16	
24	17272009815		HOSE ASSEMBLY	F7811519161616-1400-PG14 00	1	
25	60300009227		HOSE ASSEMBLY	F78115191616(SL120)16-14 00-PG1400	1	
26	60300009257		HOSE ASSEMBLY	F78115191216(SL80)12-155 0-PG1550	1	

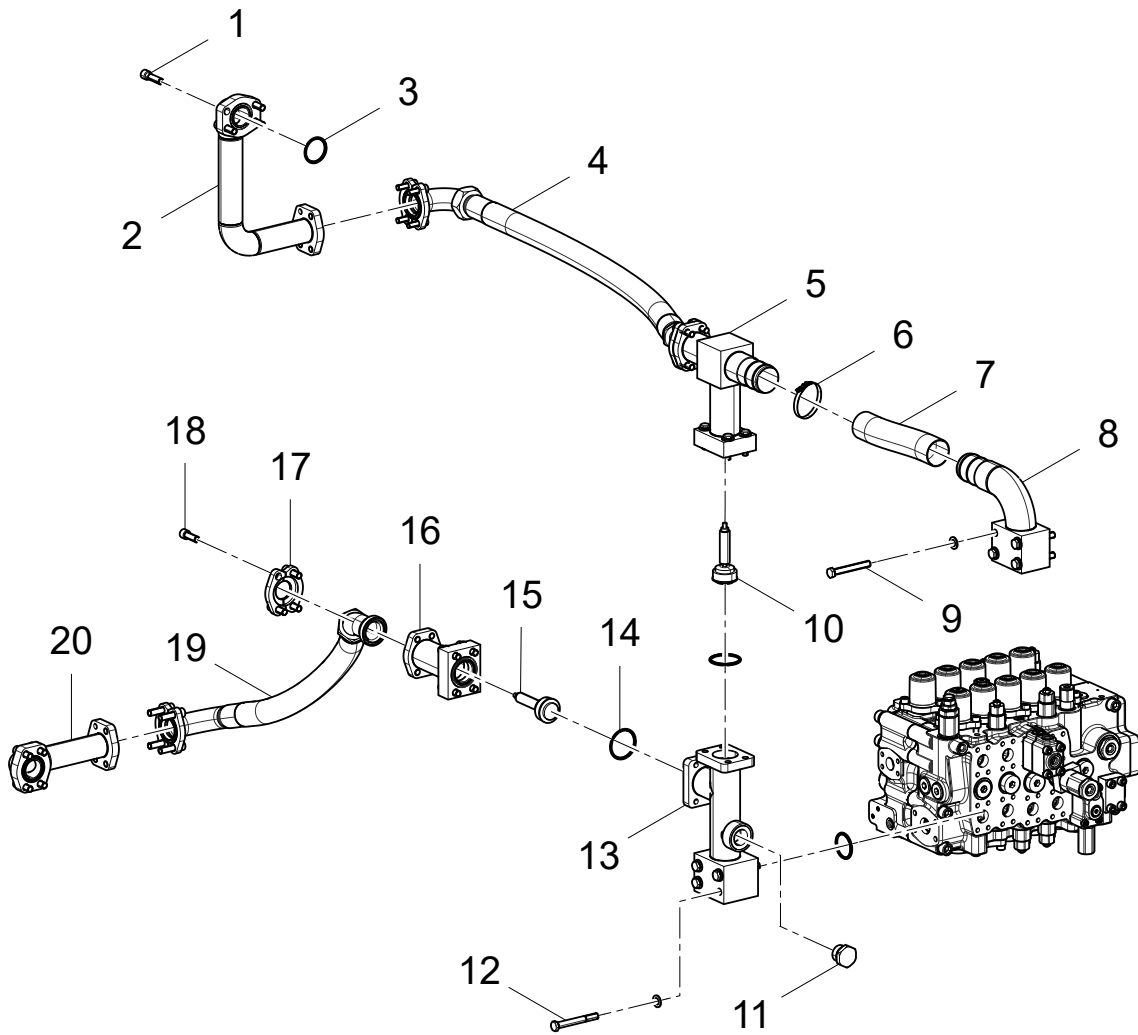
(30605014020)
PILOT PIPELINE 3



(30605014020)
PILOT PIPELINE 3

NO.	S.C	PART NAME	PART NAME	CODE	QTY	NOTE
1	60300009848		RIGHT-ANGLE JOINT	2C9-18	5	
2	60300009828		STRAIGHT CONNECTOR	1CG-14-04JIS	2	
3	60300010691		HOSE ASSEMBLY	PF421CFCF080804-400	2	
4	60300010653		REDUCING T-JOINT	CC-14-18-18W	3	
5	60300010692		HOSE ASSEMBLY	PF421CACF121206-1800-PG1000	5	
6	60300009827		STRAIGHT CONNECTOR	1CG-14-04JIS	3	
7	60300010698		HOSE ASSEMBLY	PF481CACF080804-600-PG600	2	
8	60300010695		HOSE ASSEMBLY	PF481CACF121206-2150	1	
9	60300010693		HOSE ASSEMBLY	PF481CACF121206-2300-PG1500	1	
10	60300010650		STRAIGHT CONNECTOR	1CB-18-04-L65WD	5	
11	60300009356		HYDRAULIC INTEGRATED VALVE ASSEMBLY	1011274	1	
12	60911011197		JOINT	1CB-18-04WD	19	
13	60900009832	12	WASHER 12	Q/LG12003	4	
14	51204111122	M12×25	BOLT M12×25	GB/T5783	4	
15	51204091022	M8×20	BOLT M8×20	GB/T5783	4	
16	60900009923	8	WASHER 8	Q/LG12003	4	
17	30605013537		INTEGRATED VALVE MOUNTING SEAT	LG6205E3.05.08.01	1	
18	60300010696		HOSE ASSEMBLY	PF481CACF121206-1400	1	
19	60300010701		HOSE ASSEMBLY	PF481CACF121206-1300-PG800	1	
20	60300009863		T-JOINT	CC-18	1	
21	60300010700		HOSE ASSEMBLY	PF481CACF121206-1500-PG1000	1	
22	60300010699		HOSE ASSEMBLY	PF481CACF121206-1650-PG1000	1	
23	60300010694		HOSE ASSEMBLY	PF481CACF121206-1650	2	
24	60300010405		REDUCING T-JOINT	CC-18-14-18	1	
25	60300010697		HOSE ASSEMBLY	PF481CACF080804-400	1	
26	60300009861		T-JOINT	CC-14	1	
27	60300010644		STRAIGHT CONNECTOR	1CG-18-04JIS	11	

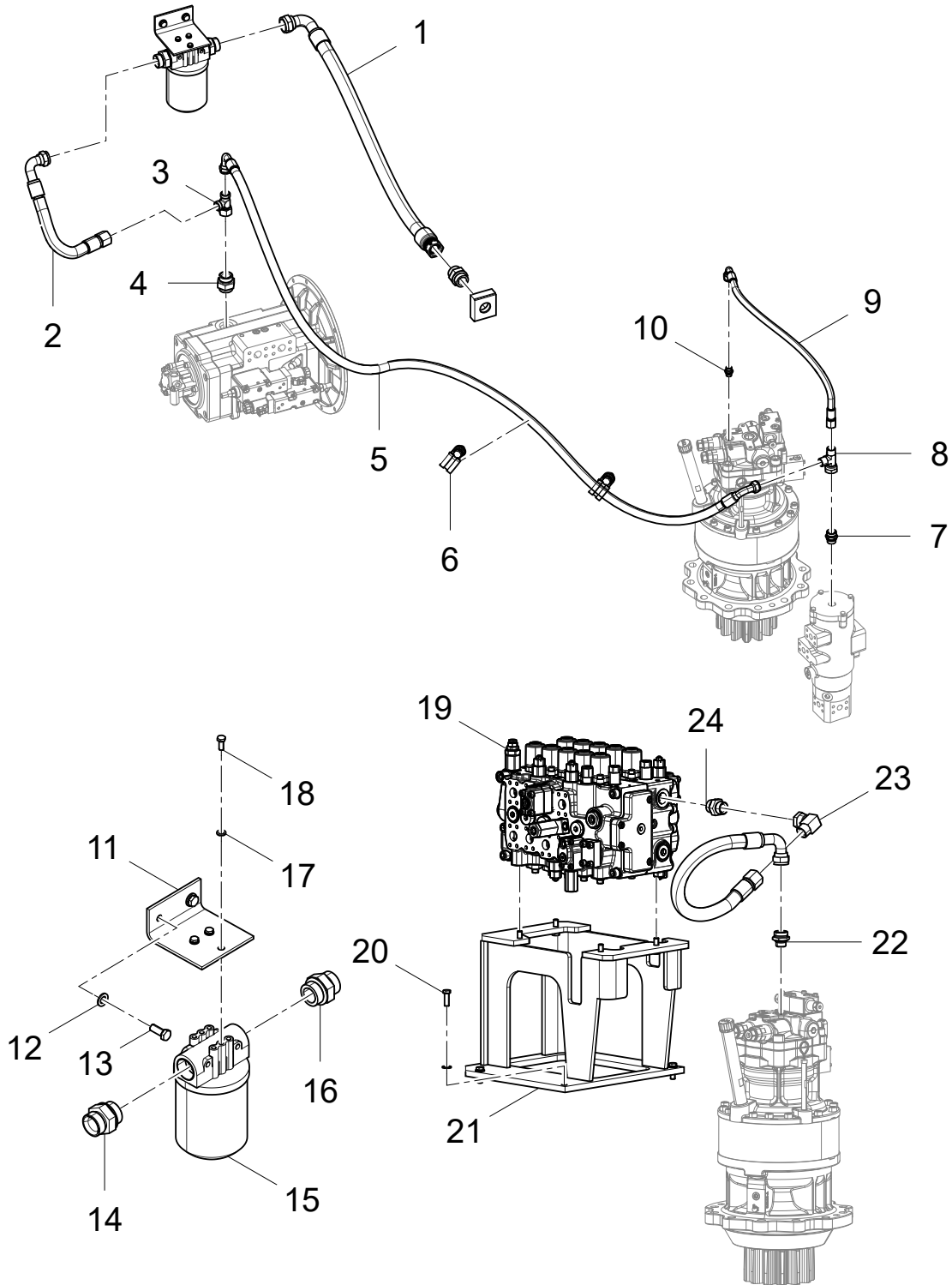
(30605013646)
MAIN RETURN PIPELINE 2



**(30605013646)
MAIN RETURN PIPELINE 2**

NO.	S.C	PART NAME	PART NAME	CODE	QTY	NOTE
1	51139230608	M12×45	SCREW M12×45	GB/T70.1	16	
2	30605014057		UPPER OIL PIPE	LG6225E1.05.02.01	1	
3	56900001104	47.22×3.53	O-RING 47.22×3.53	AS568	3	
4	60300008992		HOSE ASSEMBLY	F4811519242424-890	1	
5	30605007802		THREE-WAY BASE,OIL RETURN	CDM6225E.05.02.02	1	
6	56931001401	SLTB-65-73/19	CLAMP SLTB-65-73/19	SAE J1508	4	
7	30605120067		OIL RETURN HOSE	LG6205E3.05.02-04	1	
8	30605007804		FLANGE PIPE	CDM6225E.05.02.04	1	
9	51203112421	M12×90	BOLT M12×90	GB/T5782	4	
10	60304000019		ONE-WAY VALVE	LV12-45T	1	
11	60911011472		PLUG	4G-16	1	
12	51203112621	M12×100	BOLT M12×100	GB/T5782	4	
13	30605008068		OIL RETURN SEAT	LG6225K5.05.02.03	1	
14	56900000504	56.74×3.53	O-RING 56.74×3.53	AS568	3	
15	60304000031		ONE-WAY VALVE	LV12-25T	1	
16	30605000513		SHORT RETURN PIPE	LG6225A.05.02.04	1	
17	60300000526		SINGLE FLANGE	FL-24	8	
18	51139230408	M12×35	SCREW M12×35	GB/T70.1	16	
19	60300008993		HOSE ASSEMBLY	F4211719242424-890-270°	1	
20	30605013010		LOWER OIL PIPE	LG6205E3.05.02.03	1	

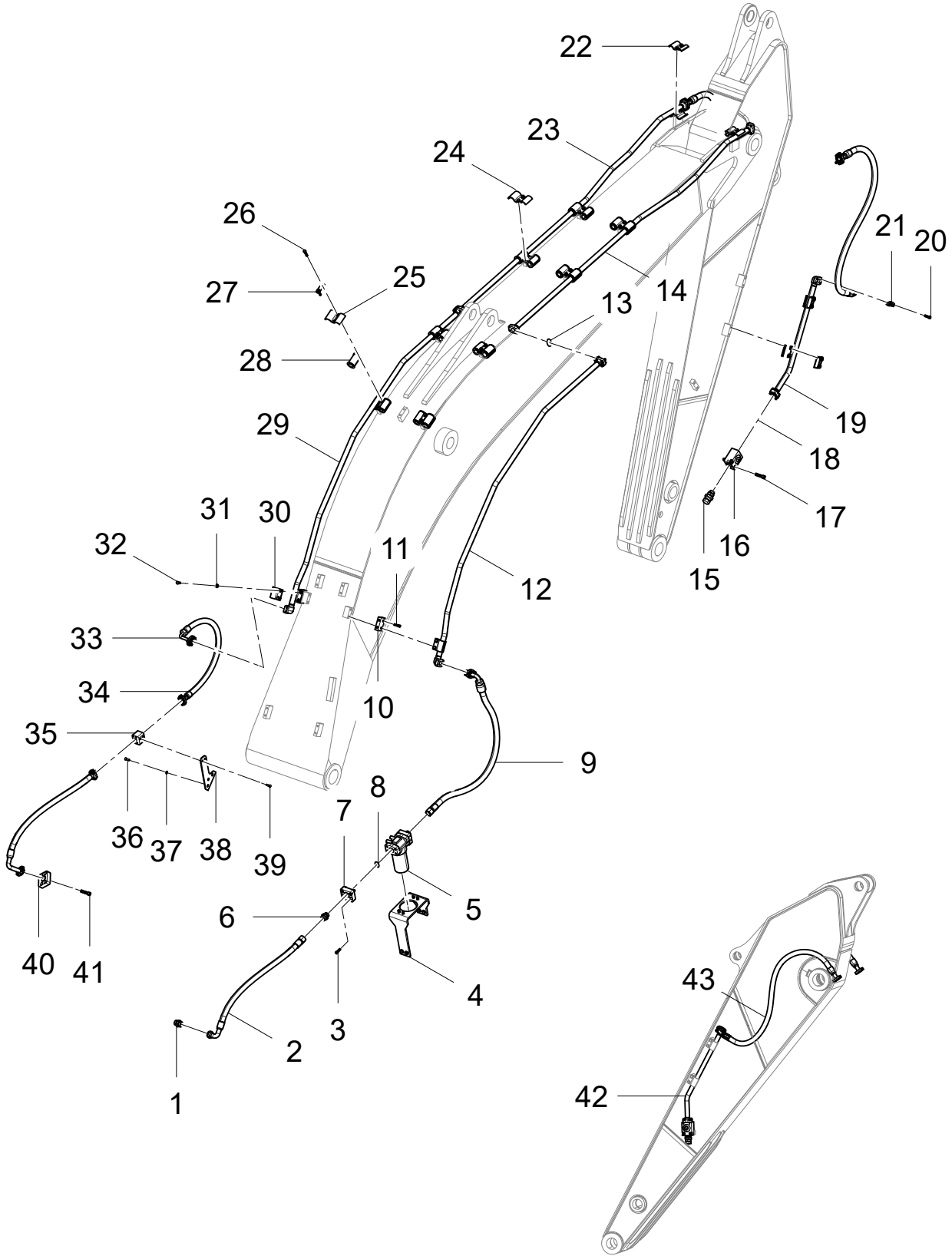
(30605013646)
MAIN RETURN PIPELINE 1



**(30605013646)
MAIN RETURN PIPELINE 1**

NO.	S.C	PART NAME	PART NAME	CODE	QTY	NOTE
1	60300010663		HOSE ASSEMBLY	PF481CACF353520-1070	1	
2	60300011176		HOSE ASSEMBLY	PF481CACF282816-750	2	
3	60300012077		REDUCING T-JOINT	CC-30-36-30	1	
4	60300010802		STRAIGHT CONNECTOR	1CO-30-20	1	
5	60300011869		HOSE ASSEMBLY	PF481CECF222212-2900-100 ° -PG2900	1	
6	56993002601	D1-35/20	CLAMP D1-35/20	DIN3016-1	1	
7	60300010647		STRAIGHT CONNECTOR	1CH-30-24	1	
8	60300010658		REDUCING T-JOINT	CC-22-30-30W	1	
9	60300010665		HOSE ASSEMBLY	PF481CACF151508-750	1	
10	60300009834		STRAIGHT CONNECTOR	1CG-22-06JIS	1	
11	30605000493		BRACKET PLATE	LG6235E. 05. 01. 02	1	
12	60900009832	12	WASHER 12	Q/LG12003	14	
13	51204111222	M12×30	BOLT M12×30	GB/T5783	2	
14	60300011861		STRAIGHT CONNECTOR	1CB-36-20WD	1	
15	60308000167		OIL FILTER	MFP160AGE10E2. 0/-A2	1	
16	60300010643		STRAIGHT CONNECTOR	1CB-45-20WD	2	
17	60900009923	8	WASHER 8	Q/LG12003	5	
18	51204091022	M8×20	BOLT M8×20	GB/T5783	5	
19	17027025400		MAIN VALVE ASSEMBLY	LV28M. 00	1	
20	51204111322	M12×35	BOLT M12×35	GB/T5783	8	
21	30605008077		MAIN VALVE SEAT	LG6225K5. 05. 02. 01	1	
22	60300010645		STRAIGHT CONNECTOR	1CG-36-12JIS	1	
23	60300009851		RIGHT-ANGLE JOINT	2C9-36	1	
24	60300009841		STRAIGHT CONNECTOR	1CG-36-16JIS	1	

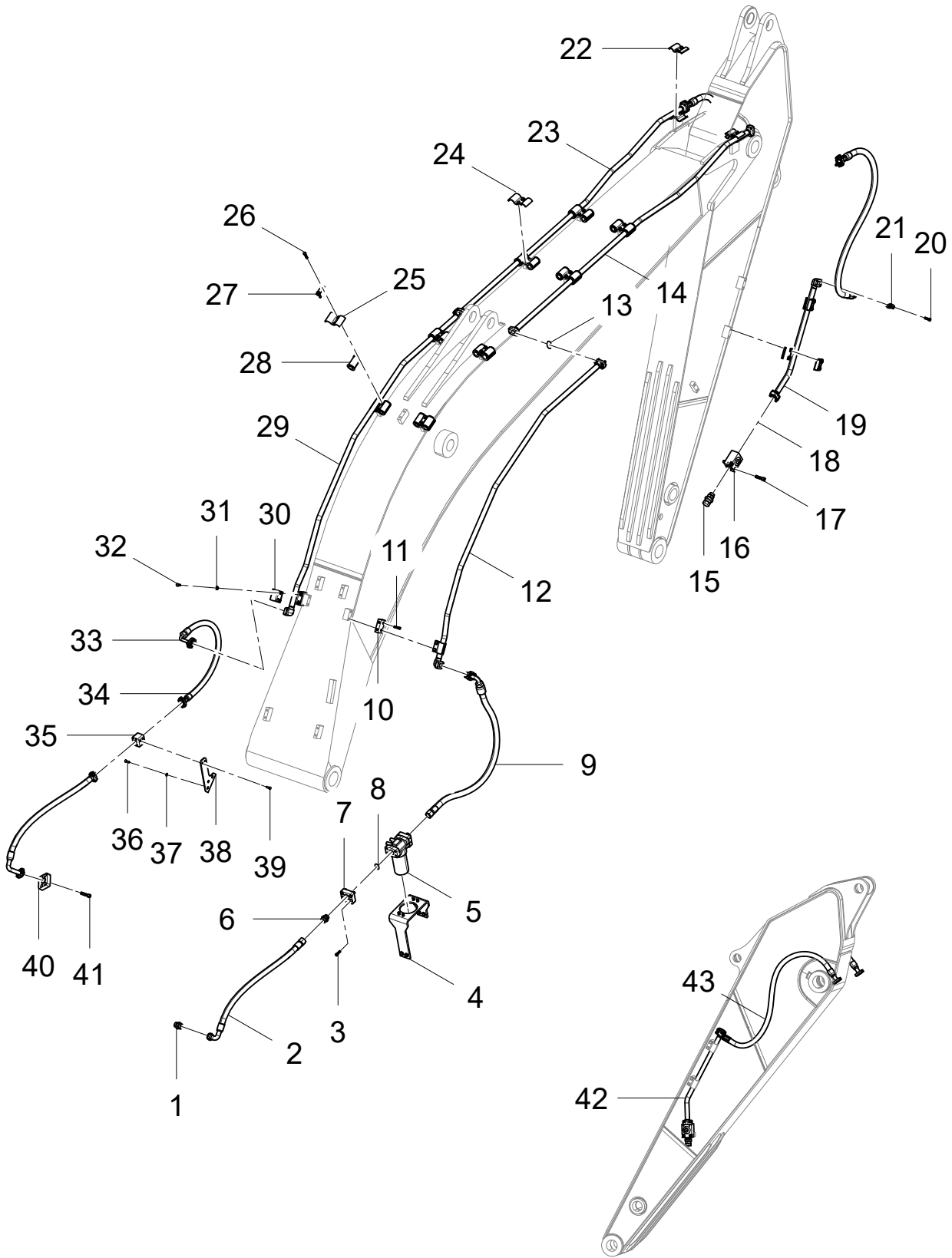
(30620011513)
BREAKING HAMMER PIPELINE



(30620011513)
BREAKING HAMMER PIPELINE

NO.	S.C	PART NAME	PART NAME	CODE	QTY	NOTE
1	60911010385		STRAIGHT CONNECTOR	1FG-16WD	1	
2	60300009371		HOSE ASSEMBLY	F481JCJ9161616-1050	1	
3	51139230406	M12×35	SCREW M12×35	GB/T70.1	8	
4	30620121366		FILTER MOUNTING BRACKET	LG6225F1.20-02	1	
5	60900008541		PRESSURE LINE FILTER	PLFB-E240X10F	1	
6	60911010632		STRAIGHT CONNECTOR	LG6360.05.07-01	2	
7	30620108725	SAE1.5-G1	JOINT BLOCK SAE1.5-G1	LG6225E.20B-04	2	
8	56145031505	47.22×3.53	O-RING 47.22×3.53	GB/T3452.1	2	
9	60300010878		HOSE ASSEMBLY	F781JS19161616-1450-PG14 50	1	
10	30620116729	H25	HEEL BLOCK H25	CDM6225E.20-01	2	
11	51204111522	M12×45	BOLT M12×45	GB/T5783	4	
12	30620010918		OUTLET PIPE	CDM6225E.20.02	1	
13	56900000404	32.92×3.53	O-RING 32.92×3.53	AS568	2	
14	30620008007	C	OIL PIPE C	LG6225K3.20.01	1	
15	60911011025		PLUG	4G-16 B2351	2	
16	60300009093		TWO-WAY BALL VALVE	JZFFW-25	2	
17	51139500808	M14×60	SCREW M14×60	GB/T70.1	4	
18	56908013505	34.7×3.53	O-RING 34.7×3.53	JISB2401	4	
19	30620009025		STEEL PIPE ASSEMBLY	LG6225K5.20.01	1	
20	60911011234		FLANGE CLAMP	FL-16	18	
21	51139220508	M10×35	SCREW M10×35	GB/T70.1	36	
22	30615100610	φ 27-34	BOOM PIPE CLAMP #27-34	LG6230.15-12	4	
23	30620008008	D	OIL PIPE D	LG6225K3.20.02	1	
24	30615100139		PIPE CLAMP	LG6230.15-01	8	
25	30615100181	D34-27	PIPE CLAMP D34-27	CDM6210.14.06-03	8	
26	51203111621	M12×50	BOLT M12×50	GB/T5782	8	
27	30615100092		GASKET	CDM6210.05-18	8	
28	30615100614	D34	RUBBER SHEATH D34	LG6230.15-15	10	
29	30620010916		OIL INLET PIPE	CDM6225E.20.01	1	
30	30615100733		PIPE CLAMP	LG6360.15-02A	12	
31	51421110121	12	WASHER 12	GB/T97.1	42	
32	51204111222	M12×30	BOLT M12×30	GB/T5783	32	
33	60300010874		HOSE ASSEMBLY	F7811519161616-1450-PG14 50	1	
34	60300011811		HOSE ASSEMBLY	F78115191616(SL150)16-900	1	
35	30620112578		TRANSITION BLOCK	LG6240F.20-01	1	
36	51203131621	M16×50	BOLT M16×50	GB/T5782	3	
37	60900009926	16	WASHER 16	Q/LG12003	3	
38	30620010919		SUPPORT WELDMENT	CDM6225E.20.03	1	

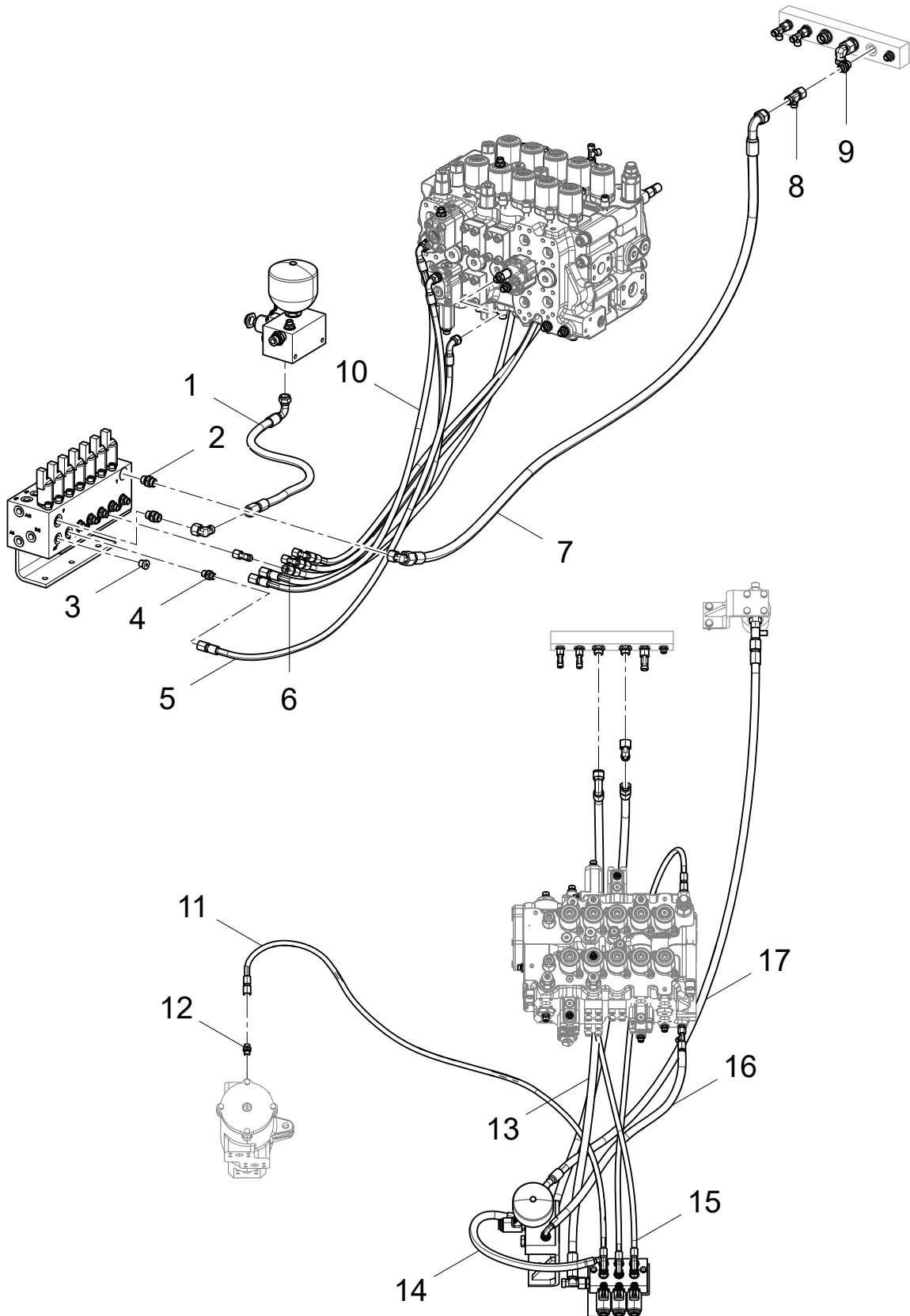
(30620011513)
BREAKING HAMMER PIPELINE



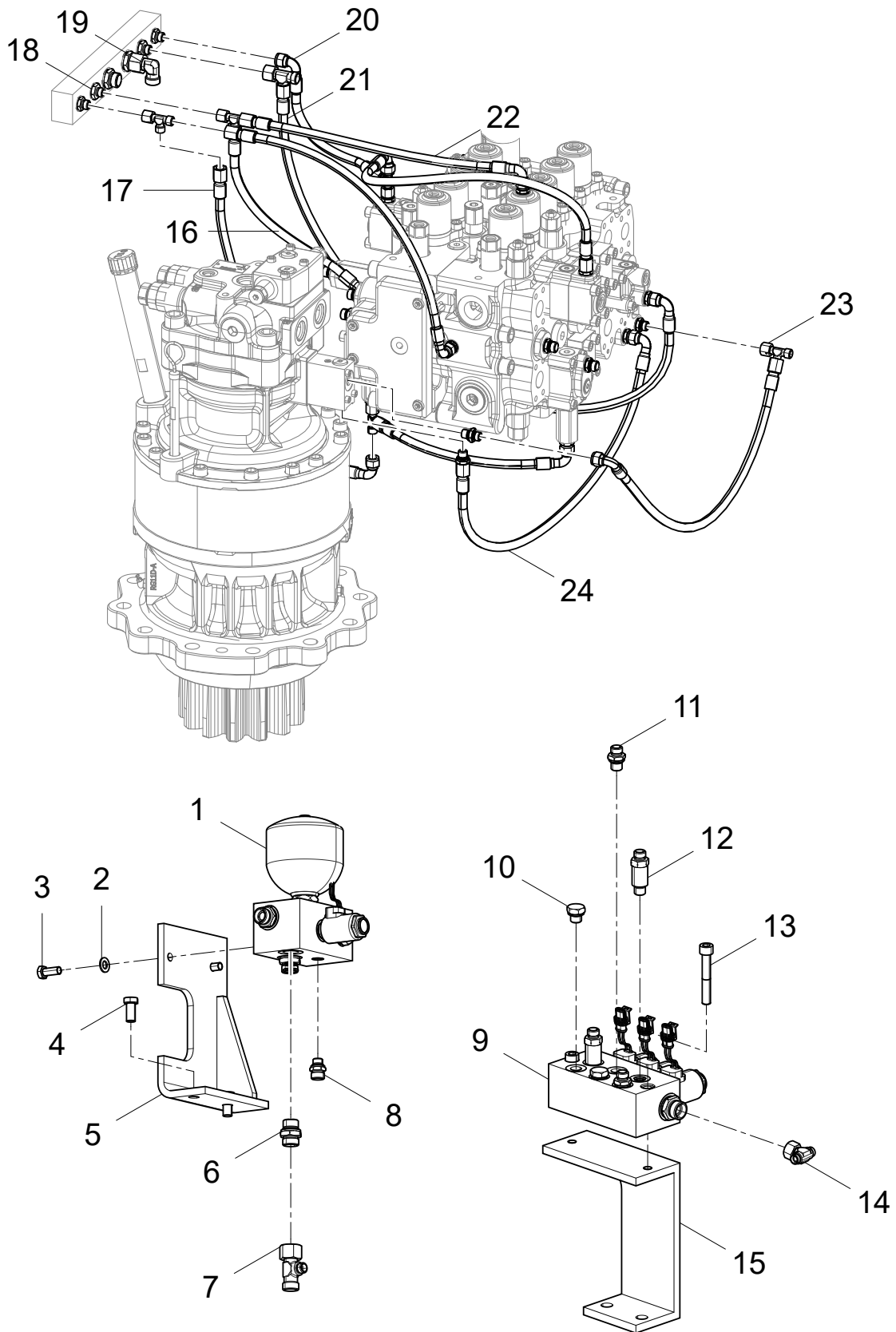
BREAKING HAMMER PIPELINE

NO.	S.C	PART NAME	PART NAME	CODE	QTY	NOTE
39	51204111322	M12×35	BOLT M12×35	GB/T5783	2	
40	30605100411	1	JOINT BLOCK 1	LG6230.05.04-01	1	
41	51139221208	M10×70	SCREW M10×70	GB/T70.1	4	
42	30620009455		STEEL PIPE ASSEMBLY	LG6225K5.20.02	1	
43	60300009373		HOSE ASSEMBLY	F7811519161616-1500-SG15 00	2	

(30605014358)
PILOT PIPELINE 1-1



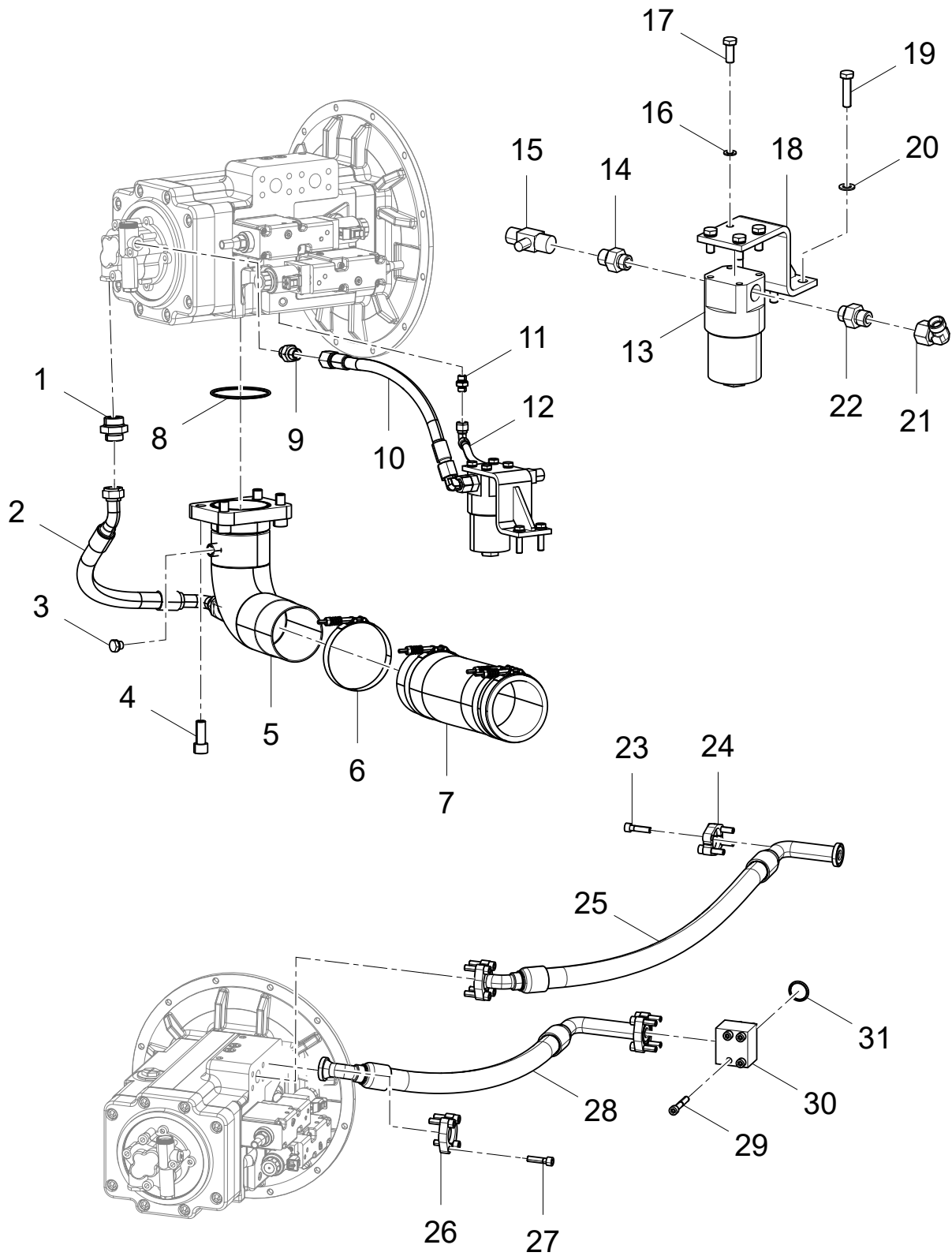
(30605014358)
PILOT PIPELINE 1-2



**(30605014358)
PILOT PIPELINE 1-2**

NO.	S.C	PART NAME	PART NAME	CODE	QTY	NOTE
1	60300009341		PILOT VALVE UNIT	1011247	1	
2	60900009924	10	WASHER 10	Q/LG12003	4	
3	51204101122	M10×25	BOLT M10×25	GB/T5783	4	
4	51204111122	M12×25	BOLT M12×25	GB/T5783	4	
5	30605011270		PILOT VALVE MOUNTING SEAT	LG6225KA. 05. 05. 01	1	
6	60300009835		STRAIGHT CONNECTOR	1CG-22-08JIS	6	
7	60300010656		REDUCING T-JOINT	CC-22-14-22W	2	
8	60300010644		STRAIGHT CONNECTOR	1CG-18-04JIS	1	
9	60304000396		SOLENOID VALVE BLOCK	1010199	1	
10	60911010390		PLUG	4G-04B2351	2	
11	60300009827		STRAIGHT CONNECTOR	1CG-14-04JIS	24	
12	60300010324		STRAIGHT CONNECTOR	1CG-14-04JIS-L50	3	
13	51139221108	M10×65	SCREW M10×65	GB/T70. 1	2	
14	60300009858		T-JOINT	BC-22	1	
15	30605117368		SOLENOID VALVE MOUNTING SEAT	LG6225KA. 05. 05-01	1	
16	60300012144		HOSE ASSEMBLY	PF481CACF080804-680	1	
17	60300011885		HOSE ASSEMBLY	PF481CACF080804-650	4	
18	60300009830		STRAIGHT CONNECTOR	1CG-14-06JIS	1	
19	60300009849		RIGHT-ANGLE JOINT	2C9-22	1	
20	60300010679		HOSE ASSEMBLY	PF481CACF080804-400	1	
21	60300009790		HOSE ASSEMBLY	PF481CACF080804-1250	1	
22	60300012142		HOSE ASSEMBLY	PF481CACF080804-600	1	
23	60300009861		T-JOINT	CC-14	5	
24	60300012145		HOSE ASSEMBLY	PF481CACF080804-800	1	

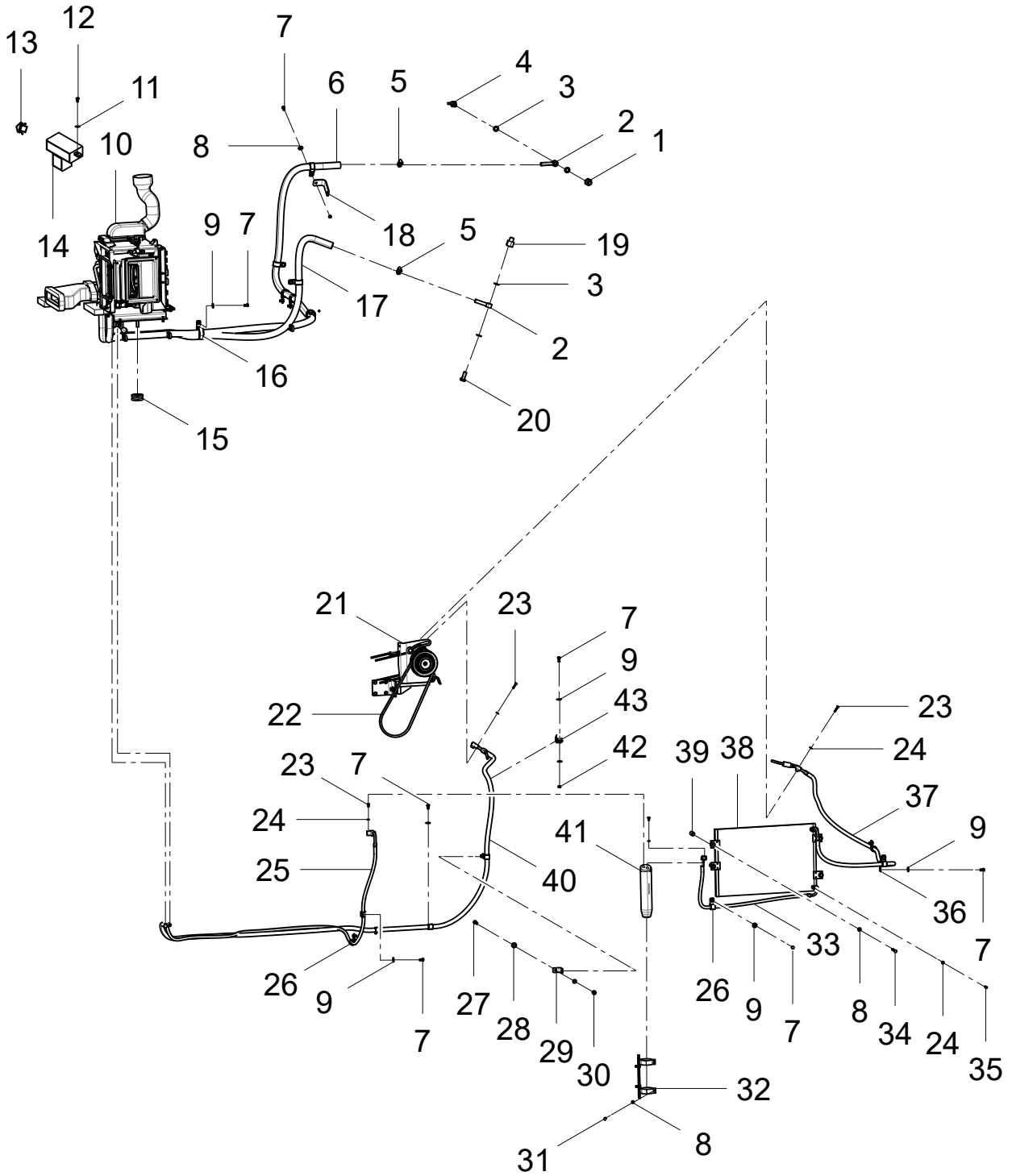
(30605013645)
PUMP PIPELINE



(30605013645)
PUMP PIPELINE

NO.	S.C	PART NAME	PART NAME	CODE	QTY	NOTE
1	60300009839		STRAIGHT CONNECTOR	ICG-30-12JIS	1	
2	60300010080		HOSE ASSEMBLY	PF481CACF222212-550	1	
3	60300009886		PLUG	4BN-04WD	1	
4	51139250408	M16×40	SCREW M16×40	GB/T70. 1	4	
5	30605009480		OIL SUCTION PIPE	LG6225K8. 05. 01. 01A	1	
6	56931003801	SLTB-114-122/19	CLAMP SLTB-114-122/19	SAE J1508	4	
7	30605120868		OIL SUCTION HOSE	LG6225E2. 05. 01-01	1	
8	56900023304	97. 5×3. 55	O-RING 97.5×3.55	AS568	1	
9	60300009822		STRAIGHT CONNECTOR	ICG-18-08JIS	1	
10	60300009754		HOSE ASSEMBLY	PF481CACF121206-630	1	
11	60300010648		STRAIGHT CONNECTOR	1C0-14-06	1	
12	60300011865		HOSE ASSEMBLY	PF481CACE080804-460	1	
13	60300008953		PILOT FILTER	PYFL-H20X10LS	1	
14	60911012137		JOINT	1CM-22WD	1	
15	60300010656		REDUCING T-JOINT	CC-22-14-22W	1	
16	60900009923	8	WASHER 8	Q/LG12003	4	
17	51204091122	M8×25	BOLT M8×25	GB/T5783	4	
18	30605011726		PILOT FILTER FIXED SEAT	LG6306N1. 05. 01. 02	1	
19	51204101422	M10×40	BOLT M10×40	GB/T5783	2	
20	60900009924	10	WASHER 10	Q/LG12003	2	
21	60300009848		RIGHT-ANGLE JOINT	2C9-18	1	
22	60300010161		STRAIGHT CONNECTOR	1CM-18-22WD	1	
23	51139220608	M10×40	SCREW M10×40	GB/T70. 1	8	
24	60911011234		FLANGE CLAMP	FL-16	4	
25	60300011604		HOSE ASSEMBLY	F7816A(30°)191616(SL120) 16-1130-180° -PG1130	1	
26	17601001120		FLANGE	FS-16	4	
27	51139230508	M12×40	SCREW M12×40	GB/T70. 1	8	
28	60300012442		HOSE ASSEMBLY	F7816A(30°)191616(SL80)1 6-900-160° -PG900	1	
29	51139221108	M10×65	SCREW M10×65	GB/T70. 1	4	
30	30605107996	SAE1	SWITCHING BLOCK	LG6485E3. 05. 05-01	1	
31	56900000404	32. 92×3. 53	O-RING 32.92×3.53	AS568	1	

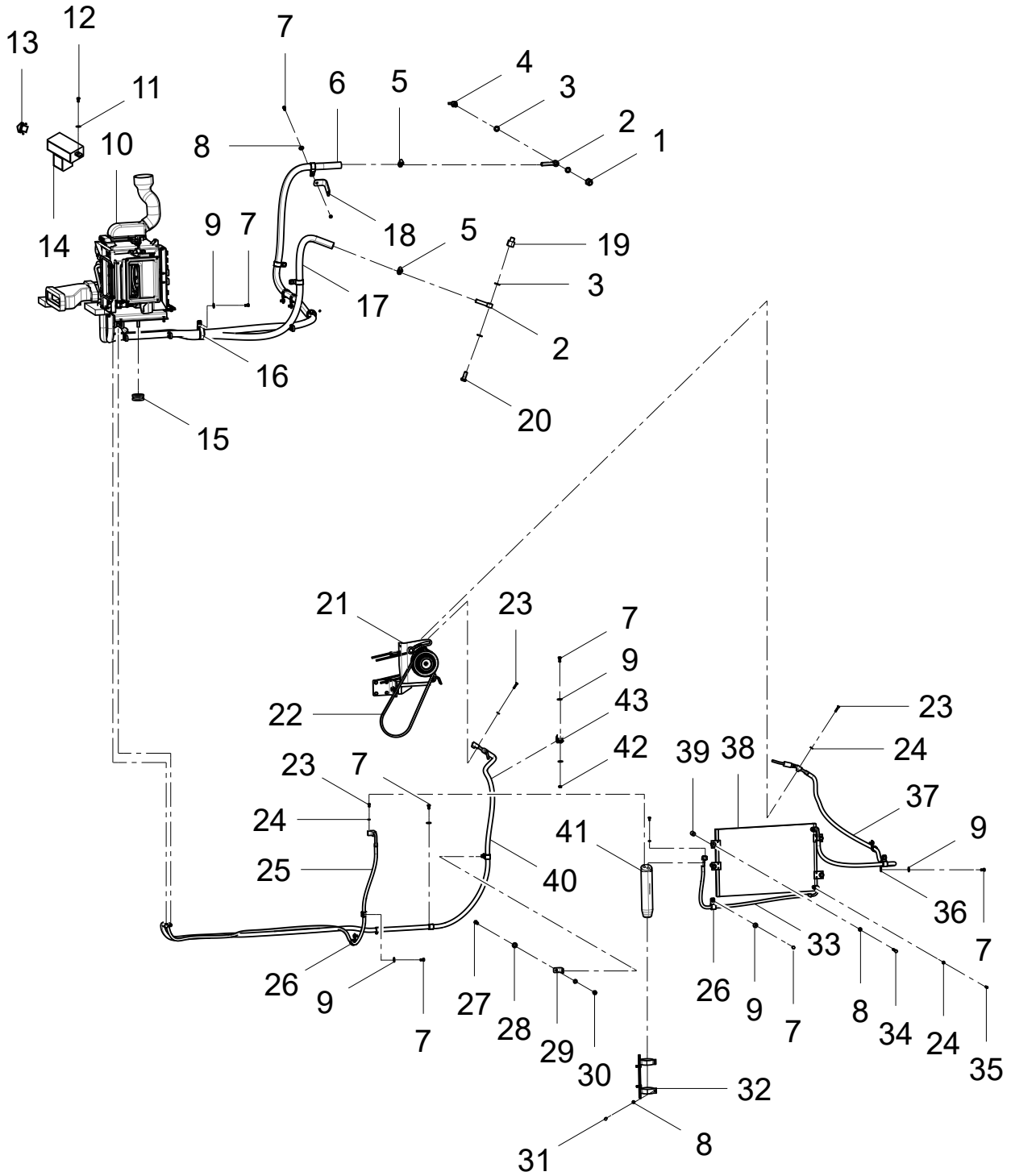
(30608013598)
AIR CONDITIONING SYSTEM



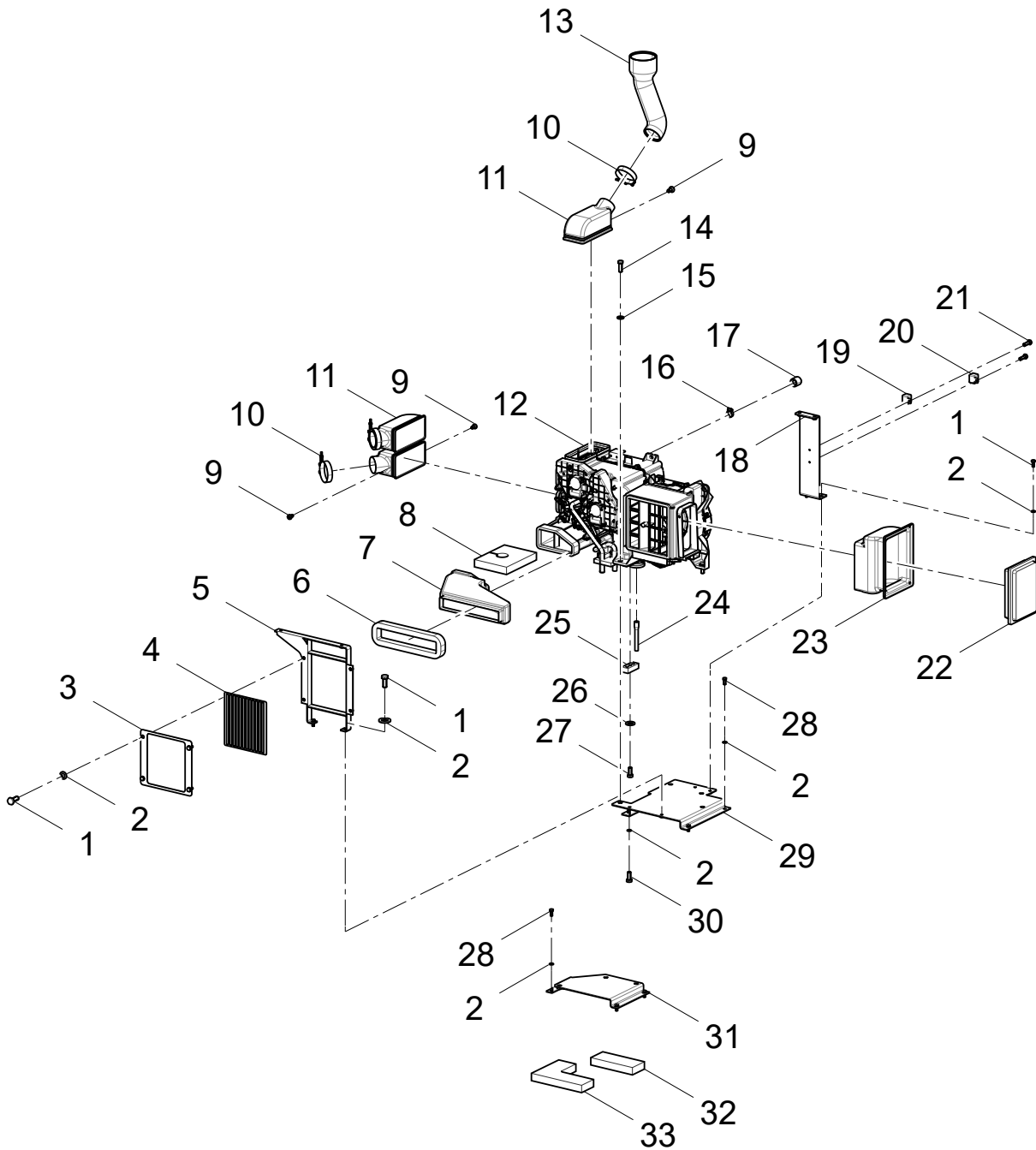
(30608013598)
AIR CONDITIONING SYSTEM

NO.	S.C	PART NAME	PART NAME	CODE	QTY	NOTE
1	30608100167		TRANSITION JOINT	LG6230.08A-02	1	
2	30608000096		HINGED CONNECTOR	LG6230.08A.03	2	
3	30608100166		WASHER	LG6230.08A-01	4	
4	60801010003		WATER VALVE	ZR00600	1	
5	56902002002	A-16-25/9	CLAMP A-16-25/9	DIN3017-1	4	
6	60911010124		HOT WATER PIPE	L3500	1	
7	51204090922	M8×16	BOLT M8×16	GB/T5783	15	
8	60900009923	8	WASHER 8	Q/LG12003	7	
9	51420090122	8	WASHER 8	GB/T96.1	15	
10	30608009241		AIR CONDITIONING UNIT	LG6240F.08.04	1	
11	51421070121	5	WASHER 5	GB/T97.1	4	
12	51158170410	M5×12	SCREW M5×12	GB/T818	4	
13	60402020010		SOLAR-SENSITIVE SENSOR	077450-0900	1	
14	60100009726		CONTROL PANEL	SG146570-8890	1	
15	30621100154		DUST RING	LG6230.21A-04	1	
16	60100009706	Φ60	CLIP Φ60	B11068X0	1	
17	60100010604		HOT WATER PIPE	L2500	1	
18	30608005075		HOT WATER PIPE BRACKET	LG6270E.08.03	1	
19	30608100165		TRANSITION JOINT	LG6230.08A-03	1	
20	30608100221		HINGED BOLT	LG6235E.08-01	1	
21	30608005087		COMPRESSOR ASSEMBLY	LG6220E.08A.01	1	
22	60900000244		V-BELT	A46.5	1	
23	51204081222	M6×30	BOLT M6×30	GB/T5783	4	
24	60900009922	6	WASHER 6	Q/LG12003	6	
25	60911011177		HOSE WITH PRESSURE SWITCH	SG445210-426A	1	
26	60100009697	Φ15	CLIP Φ15	B11068B0	3	
27	51204101322	M10×35	BOLT M10×35	GB/T5783	1	
28	60900009924	10	WASHER 10	Q/LG12003	2	
29	30601005318		OIL PIPE BRACKET	LG6270E.01.05.01	1	
30	51307001022	M10	NUT M10	GB/T6170	1	
31	51204091022	M8×20	BOLT M8×20	GB/T5783	2	
32	60980000131		STORAGE TANK BRACKET	SG047890-8350	1	
33	60911010139		HOSE	SG445130-5990	1	
34	51203091921	M8×65	BOLT M8×65	GB/T5782	4	
35	51204081122	M6×25	BOLT M6×25	GB/T5783	2	
36	60100009699	Φ22	CLIP Φ22	B11068D0	6	
37	60100008216		EXHAUST HOSE	SG5-445230-263-a	1	
38	60401080008		CONDENSER	SG447750-6180	1	

(30608013598)
AIR CONDITIONING SYSTEM



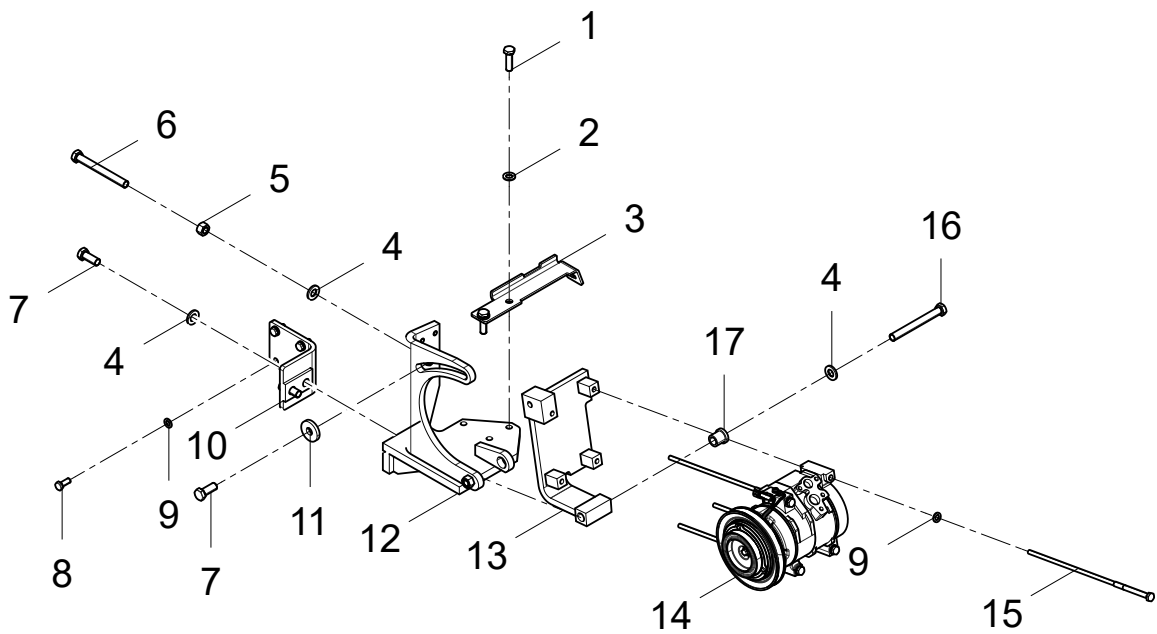
(30608009241)
AIR CONDITIONING UNIT



(30608009241)
AIR CONDITIONING UNIT

NO.	S.C	PART NAME	PART NAME	CODE	QTY	NOTE
1	51204091022	M8×20	BOLT M8×20	GB/T5783	10	
2	60900009923	8	WASHER 8	Q/LG12003	20	
3	30608100154		COVER PLATE	LG6230.08A.02-03	1	
4	60101100023		INTERNAL AIR CLEANER	TB014520-0890	1	
5	30608000090		FRONT BRACKET	LG6230.08A.02.03	1	
6	30608100155	720×30×22	SPONGE 720×30×22	LG6230.08A.02-04	1	
7	60980000133		AIR DUCT, FOOT	SG245280-0880	1	
8	30608100158		SPONGE	LG6230.08A.02-07	1	
9	51166420111	ST3.5×9.5	TAPPING SCREW ST3.5×9.5	GB/T845	5	
10	56902002202	A-50-70/9	CLAMP A-50-70/9	DIN3017-1	3	
11	30608100153		RIGHT DUCT	LG6230.08A.02-02	3	
12	60401080007		AIR CONDITIONING UNIT	SG443270-687A	1	
13	30608112998		OUTLET PIPE	CDM6225E.08A.02-01	1	
14	51204111122	M12×25	BOLT M12×25	GB/T5783	7	
15	60900009832	12	WASHER 12	Q/LG12003	7	
16	56902002802	A-20-32/9	CLAMP A-20-32/9	DIN3017-1	1	
17	30608106708		PLUG	LG6230.08A.02-08	1	
18	30601008640		BRACKET	LG6230.08A.02.04B	1	
19	60405030013	2	RELAY 2	056800-3060	1	
20	60405030012	1	RELAY 1	056700-8170	1	
21	51158170610	M5×16	SCREW M5×16	GB/T818	2	
22	60980003264		EXTERNAL AIR CLEANER	TB014300-5090	1	
23	30608113845		EXTERNAL AIR DUCT	LG6240F.08.04-01	1	
24	60980000132	1	DRAIN PIPE 1	SG146310-1780	1	
25	60980003836		PIPE JOINT	446861-4520	1	
26	60900009922	6	WASHER 6	Q/LG12003	1	
27	51139190608	M6×25	SCREW M6×25	GB/T70.1	1	
28	51204091122	M8×25	BOLT M8×25	GB/T5783	8	
29	30608000088		LEFT BRACKET	LG6230.08A.02.01	1	
30	51204091222	M8×30	BOLT M8×30	GB/T5783	2	
31	30608000089		RIGHT BRACKET	LG6230.08A.02.02	1	
32	30608100157		REAR SIDE SPONGE	LG6230.08A.02-06	1	
33	30608100156		FRONT SIDE SPONGE	LG6230.08A.02-05	1	

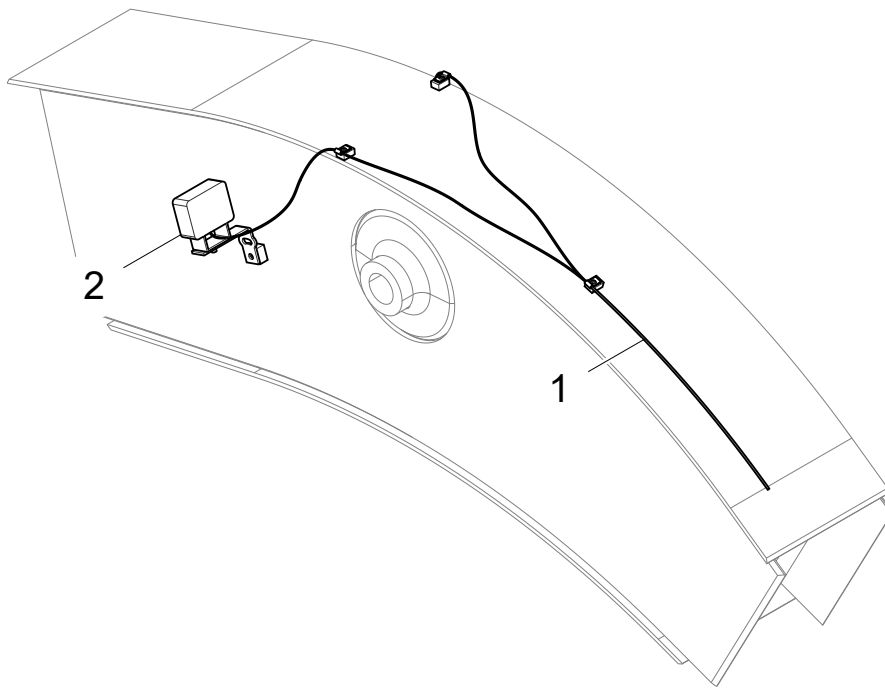
(30608005087)
COMPRESSOR ASSEMBLY



(30608005087)
COMPRESSOR ASSEMBLY

NO.	S.C	PART NAME	PART NAME	CODE	QTY	NOTE
1	51204101322	M10×35	BOLT M10×35	GB/T5783	3	
2	60900009924	10	WASHER 10	Q/LG12003	3	
3	30608108090		A/C PIPE BRACKET	LG6220E. 08A. 01-02	1	
4	60900009832	12	WASHER 12	Q/LG12003	4	
5	51307001122	M12	NUT M12	GB/T6170	1	
6	51204113122	M12×90	BOLT M12×90	GB/T5783	1	
7	51204111222	M12×30	BOLT M12×30	GB/T5783	3	
8	51204091022	M8×20	BOLT M8×20	GB/T5783	4	
9	60900009923	8	WASHER 8	Q/LG12003	8	
10	30608005090		BRACKET	LG6220E. 08A. 01. 03	1	
11	30608105128		GASKET	LG6220E. 08A. 01-01	1	
12	30608005088	I	BRACKET #	LG6220E. 08A. 01. 01	1	
13	30608005089	II	BRACKET #	LG6220E. 08A. 01. 02	1	
14	60101000139		COMPRESSOR	SG447190-3512	1	
15	51203092221	M8×80	BOLT M8×80	GB/T5782	4	
16	51203112721	M12×110	BOLT M12×110	GB/T5782	1	
17	30608100189		SPACER BUSH	LG6270. 08. 02-01	1	

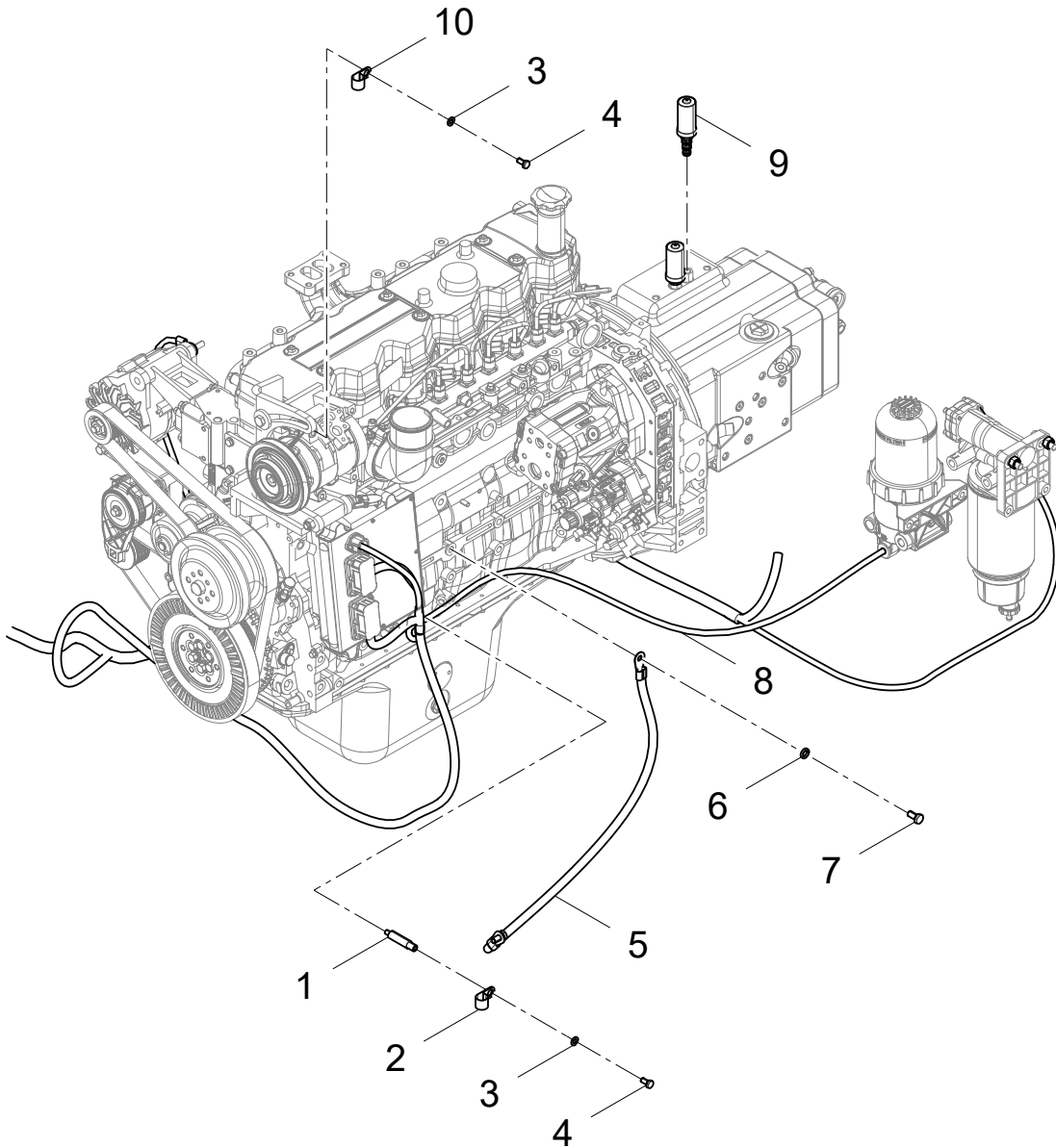
(30607013597)
BOOM ELECTRICAL LAYOUT



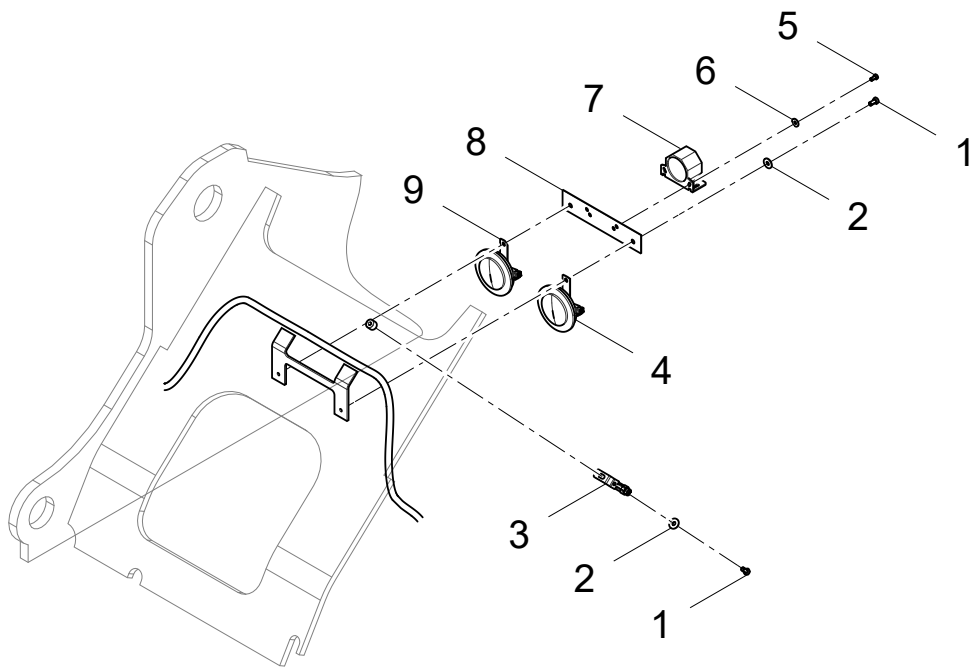
(30607013597)
BOOM ELECTRICAL LAYOUT

NO.	S.C	PART NAME	PART NAME	CODE	QTY	NOTE
1	30607000765		BOOM LAMP WIRING HARNESS	LG6235. 07. 07A	1	
2	60400011136		WORKING LAMP	LK70303	2	

(30607013597)
ENGINE ELECTRICAL LAYOUT



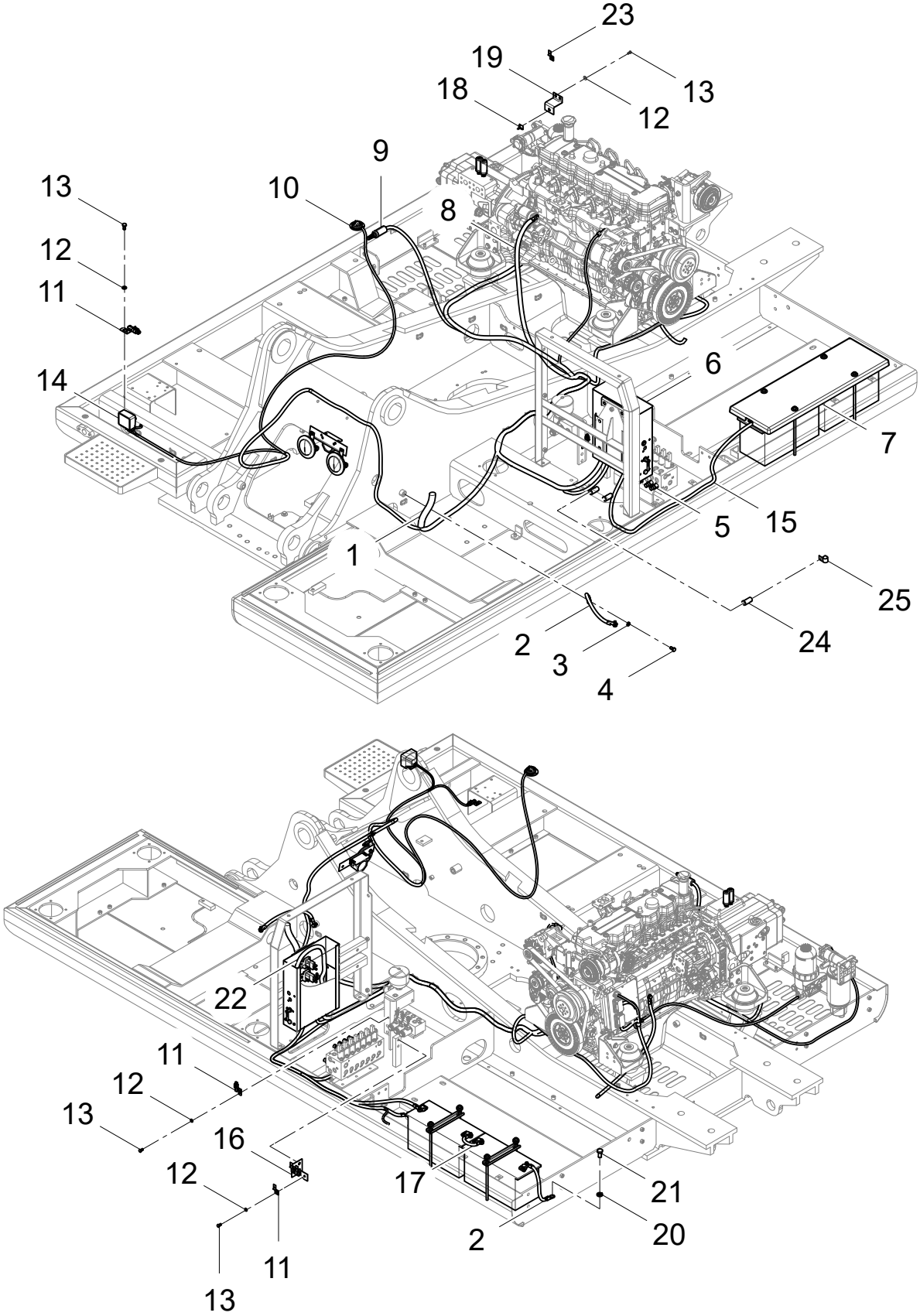
(30607013597)
HORN ELECTRICAL LAYOUT



(30607013597)
HORN ELECTRICAL LAYOUT

NO.	S.C	PART NAME	PART NAME	CODE	QTY	NOTE
1	60900009923	8	WASHER 8	Q/LG12003	3	
2	51204090922	M8×16	BOLT M8×16	GB/T5783	9	
3	30607100167		CONNECTOR BRACKET	LG6075.07.01-03	1	
4	60400011132		ELECTRIC HORN	LK70122	1	
5	51158190510	M6×16	SCREW M6×16	GB/T818	2	
6	60900009922	6	WASHER 6	Q/LG12003	2	
7	60400011145		BUZZER	LK70602	1	
8	30607000743		HORN MOUNTING PLATE	LG6270.07M.02.01	1	
9	60400011131		ELECTRIC HORN	LK70121	1	

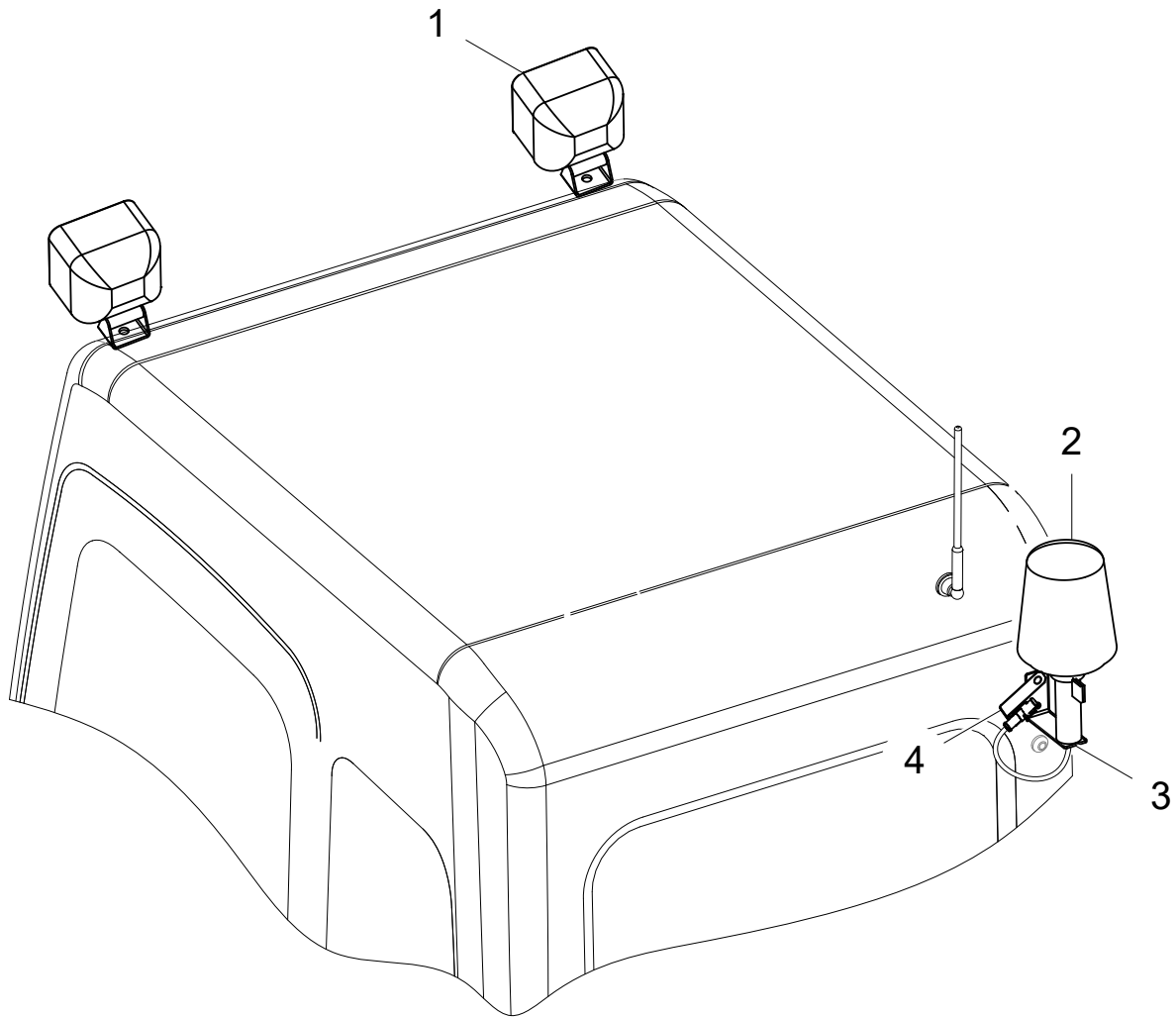
(30607013597)
BODY ELECTRICAL ASSEMBLY



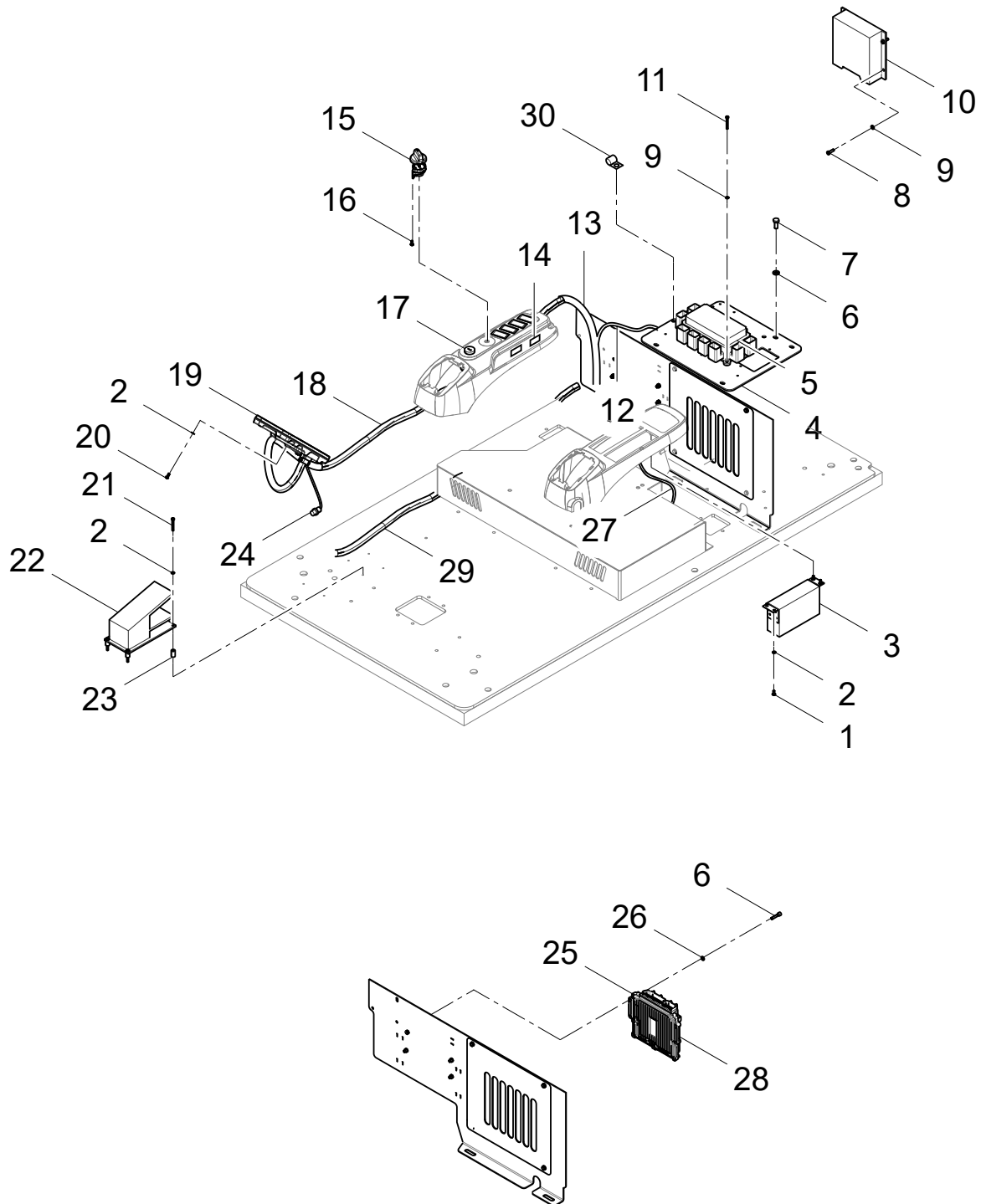
(30607013597)
BODY ELECTRICAL ASSEMBLY

NO.	S.C	PART NAME	PART NAME	CODE	QTY	NOTE
1	30607013953		BODY WIRING HARNESS	LG6225E1.07.01.01A	1	
2	30607000590		EARTHED CABLE	LG6450.07.01.15	1	
3	51421100115	10	WASHER 10	GB/T97.1	6	
4	51204101018	M10×20	BOLT M10×20	GB/T5783	6	
5	60402020256		PRESSURE SENSOR	063G1801 (0-60bar)	10	
6	30607000061		ELECTRIC CONTROL BOX ASSEMBLY	LG6235.07.17	1	
7	30607007821		BATTERY ASSEMBLY	CDM6225E.07.02.01	1	
8	30607000181		START CABLE	LG6235.07.08	1	
9	60400001336		TEMPERATURE SENSOR	084Z2360	1	
10	60400011139		FUEL SENSOR	LK70402	1	
11	30607100167		CONNECTOR BRACKET	LG6075.07.01-03	3	
12	51421090121	8	WASHER 8	GB/T97.1	11	
13	51204090922	M8×16	BOLT M8×16	GB/T5783	11	
14	60400011136		WORKING LAMP	LK70303	1	
15	30607013642		CONNECTION CABLE	LG6225E1.07.01.09	1	
16	30607120728		CONNECTOR FIXED BRACKET	LG6225E1.07.01-01	1	
17	30607000183		BATTERY CABLE	LG6235.07.10	1	
18	60405020336		TOGGLE SWITCH	YQ5.513.738	1	
19	30607110744		SWITCH BRACKET	LG6485E6.07.02-06	1	
20	51401110107	12	WASHER 12	GB/T93	6	
21	51204111018	M12×20	BOLT M12×20	GB/T5783	6	
22	30607000188		SWITCH CONNECTION CABLE	LG6235.07.15	1	
23	30607100237		CONNECTOR BRACKET 1	LG6150.07A.02-03	1	
24	30607100164	M081045	SCREW	LG6215D.07.02-01	3	
25	60100009699	Φ22	CLIP Φ22	B11068D0	15	

(30607013597)
CABIN OUTER ELECTRICAL LAYOUT



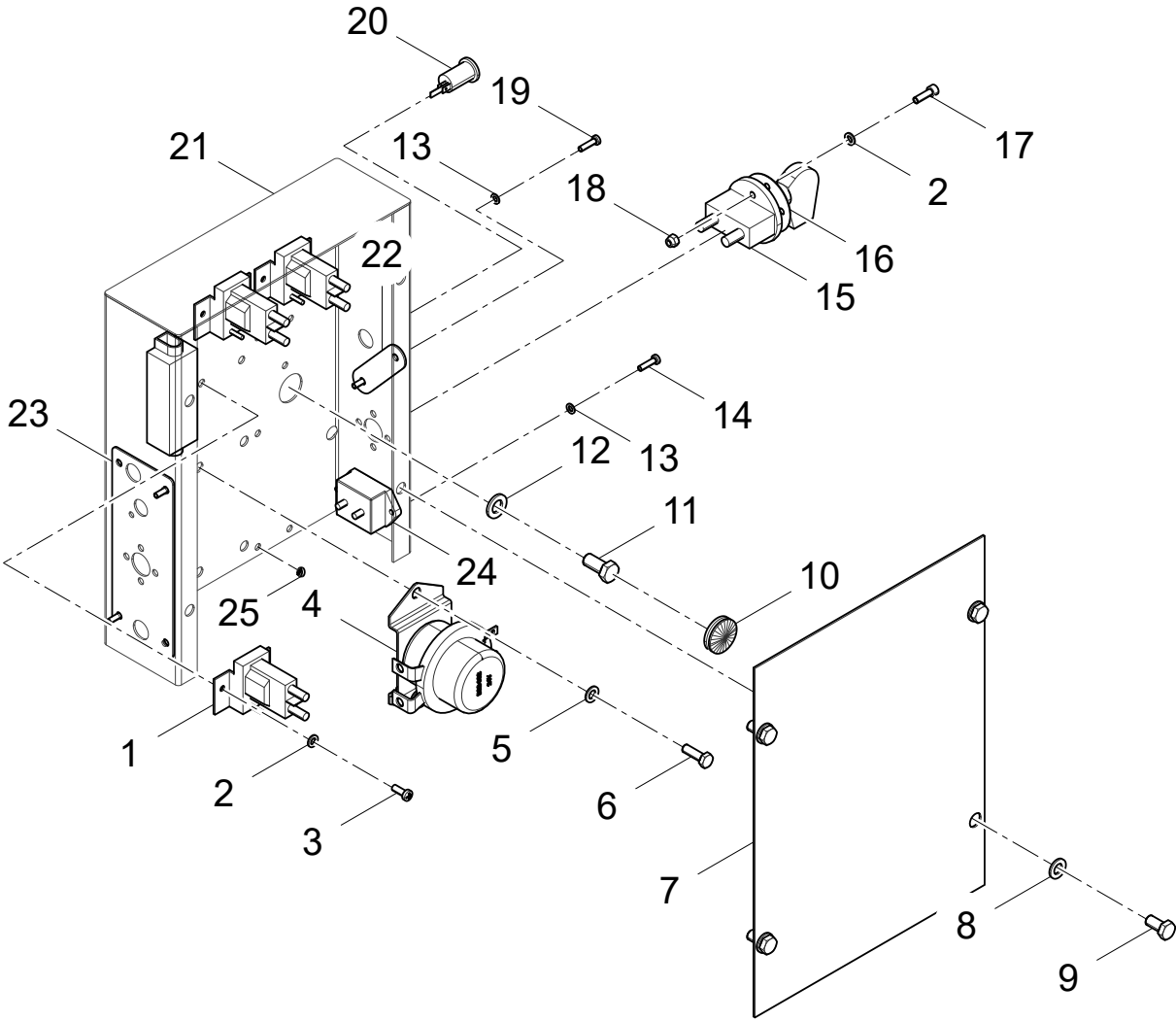
(30607013597)
CABIN INNER ELECTRICAL LAYOUT



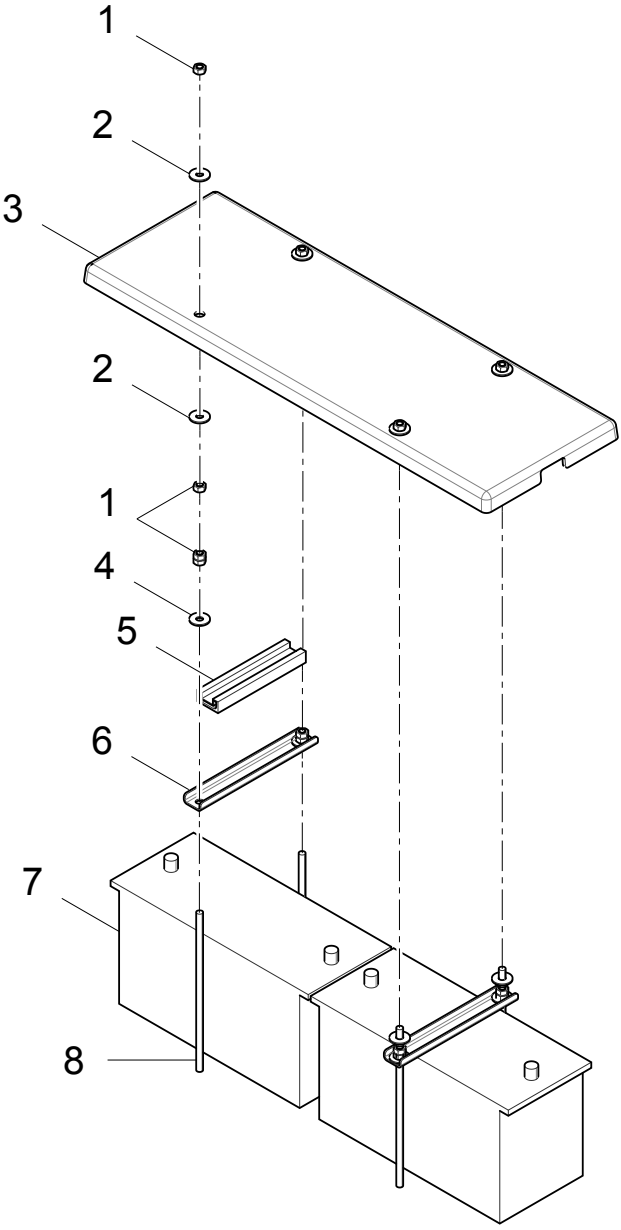
**(30607013597)
CABIN INNER ELECTRICAL LAYOUT**

NO.	S.C	PART NAME	PART NAME	CODE	QTY	NOTE
1	51158170410	M5×12	SCREW M5×12	GB/T818	4	
2	51421070121	5	WASHER 5	GB/T97. 1	10	
3	60400010744		RADIO	TK-018-HA18-1	1	
4	30607012977		BASEPLATE	LG6205E3. 07. 02. 02	1	
5	60400010937		DISTRIBUTION BOX	ED0720LK4	1	
6	60900009923	8	WASHER 8	Q/LG12003	11	
7	51204091022	M8×20	BOLT M8×20	GB/T5783	4	
8	51158190610	M6×20	SCREW M6×20	GB/T818	4	
9	60900009922	6	WASHER 6	Q/LG12003	8	
10	60403020002	GPS	GPS TERMINAL	504032001	1	
11	51139190408	M6×16	SCREW M6×16	GB/T70. 1	4	
12	30607000161		A/C WIRING HARNESS	LG6360. 07. 01. 06	1	
13	30607000581		WARNING LAMP WIRING HARNESS	LG6360. 07A. 01. 10	1	
14	60405020341		WARNING LAMP SWITCH	JK932-001-4. 93	1	
15	60980004492		THROTTLE CONTROL KNOB	YQ5. 251. 077	1	
16	51158110504	M3×10	SCREW M3×10	GB/T818	2	
17	60400011142		KEY SWITCH	LK70501	1	
18	30607009166		DISPLAY WIRING HARNESS	CDM6225G. 07. 01. 03	1	
19	30607007497		DISPLAY,YONGQING	LG6365E2. 07. 02. 01	1	
20	51140170309	M5×12	SCREW M5×12	GB/T70. 2	3	
21	51158171110	M5×40	SCREW M5×40	GB/T818	3	
22	60900011197		FOOT PEDAL SWITCH	HRF-HD3N	1	
23	30607100051		BUSHING	CDM6210. 02. 10-09	3	
24	60406080002		CIGAR LIGHTER	8EZ008021-011	1	
25	60100008668		CONTROLLER	KC-MB-21	1	
26	51204090922	M8×16	BOLT M8×16	GB/T5783	7	
27	30607013641		CAB WIRING HARNESS	LG6225E1. 07. 01. 05	1	
28	60400002288		MASTER CONTROLLER	R917A08181	1	
29	30607010567		TRANSITION WIRING HARNESS	LG6225W2. 07. 01. 02	1	
30	60100009700	Φ25	CLIP Φ25	B11068E0	1	

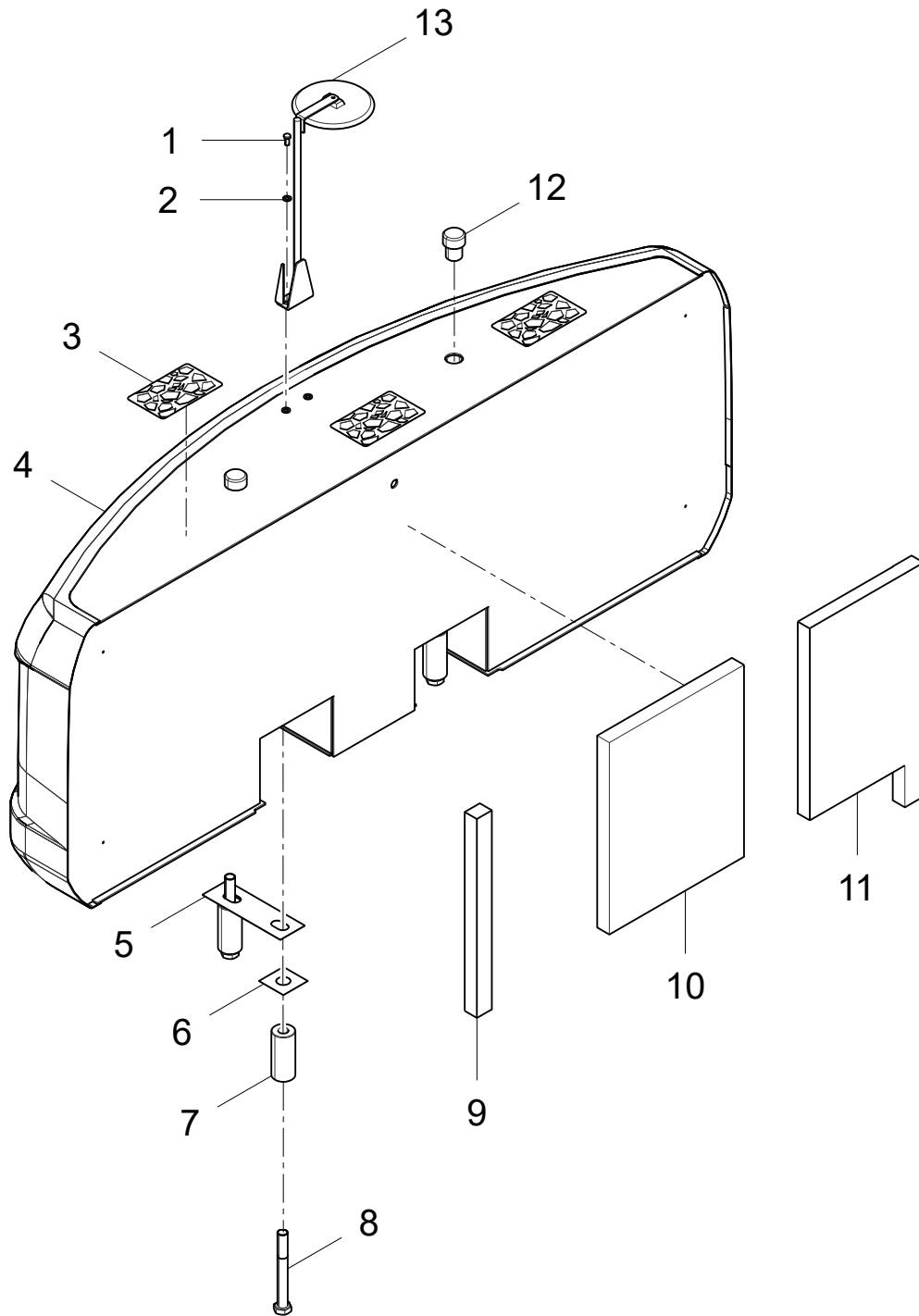
(30607000061)
ELECTRIC CONTROL BOX ASSEMBLY



(30607007821)
BATTERY ASSEMBLY



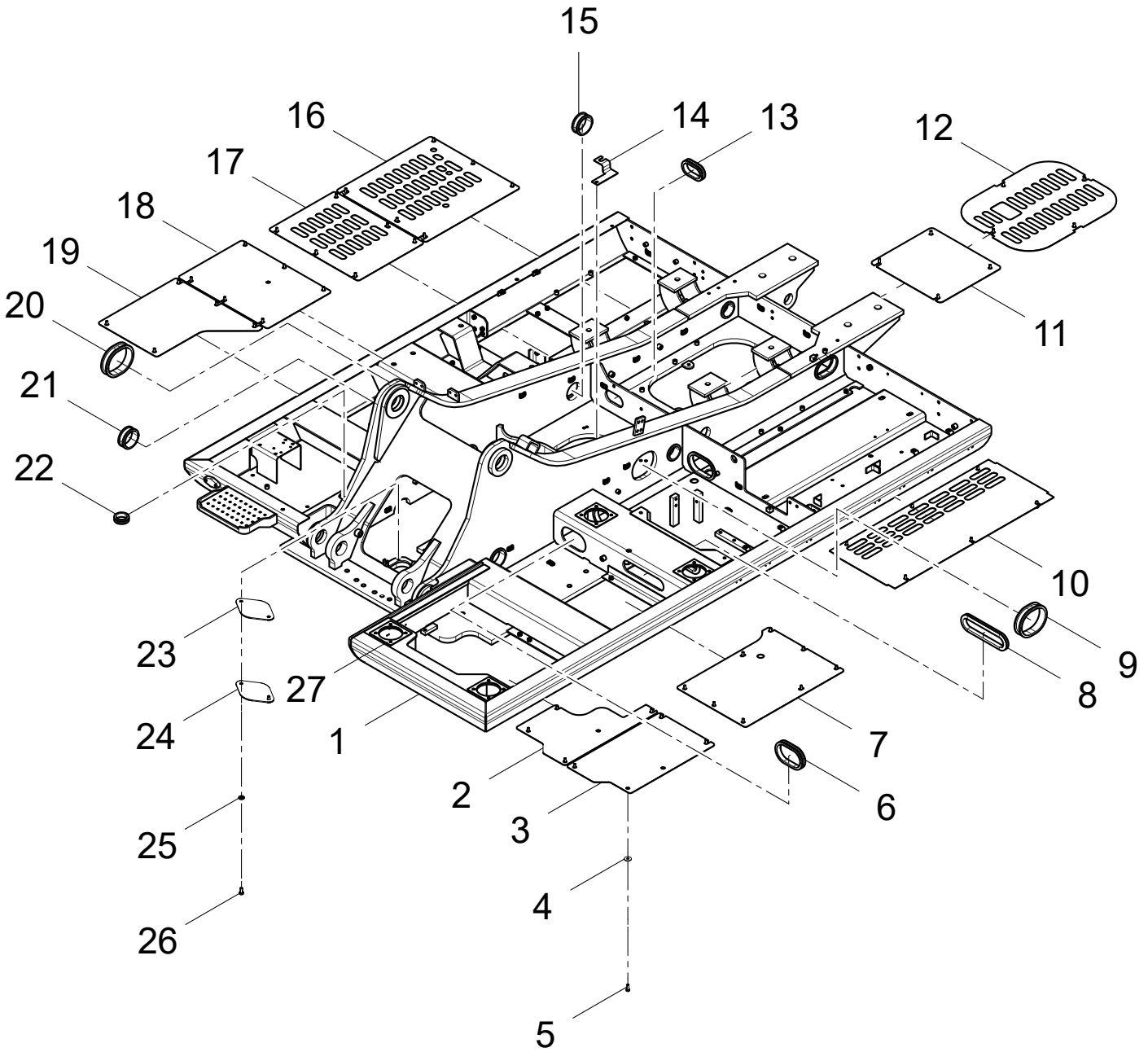
(30611013599)
COUNTERWEIGHT ASSEMBLY



**(30611013599)
COUNTERWEIGHT ASSEMBLY**

NO.	S.C	PART NAME	PART NAME	CODE	QTY	NOTE
1	51204111118	M12×25	BOLT M12×25	GB/T5783	2	
2	60900009832	12	WASHER 12	Q/LG12003	2	
3	30625100078		ANTISKID MAT	LG6230.25-02	3	
4	30611013602		COUNTERWEIGHT WELDMENT	LG6225E1.11.01	1	
5	30611100053		ADJUSTING WASHER	LG6230.11-01	2	
6	30611100197		GASKET	LG6450.11-02	4	
7	30611113887		SLEEVE	CDM6225F.11-02A	4	
8	51203193221	M30×160	BOLT M30×160	GB/T5782	4	
9	30611120684		GASKET	LG6225E1.11-01	1	
10	30611120685		GASKET	LG6225E1.11-02	1	
11	30611120686		GASKET	LG6225E1.11-03	1	
12	68000000227	φ 48	PLUG φ48	KP-DT	2	
13	30611000062		BACK MIRROR ASSEMBLY	CDM6365F.11.02	1	

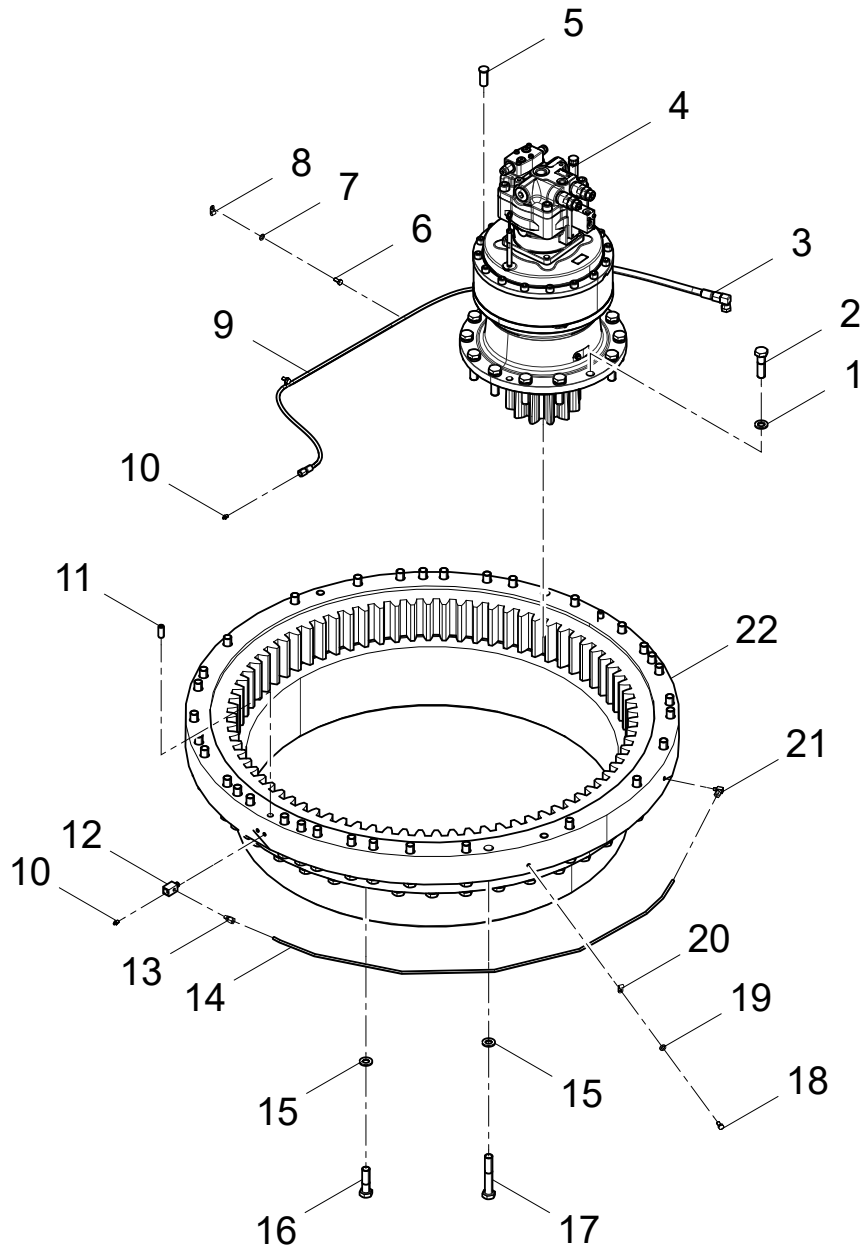
(30612013600)
PLATFORM ASSEMBLY



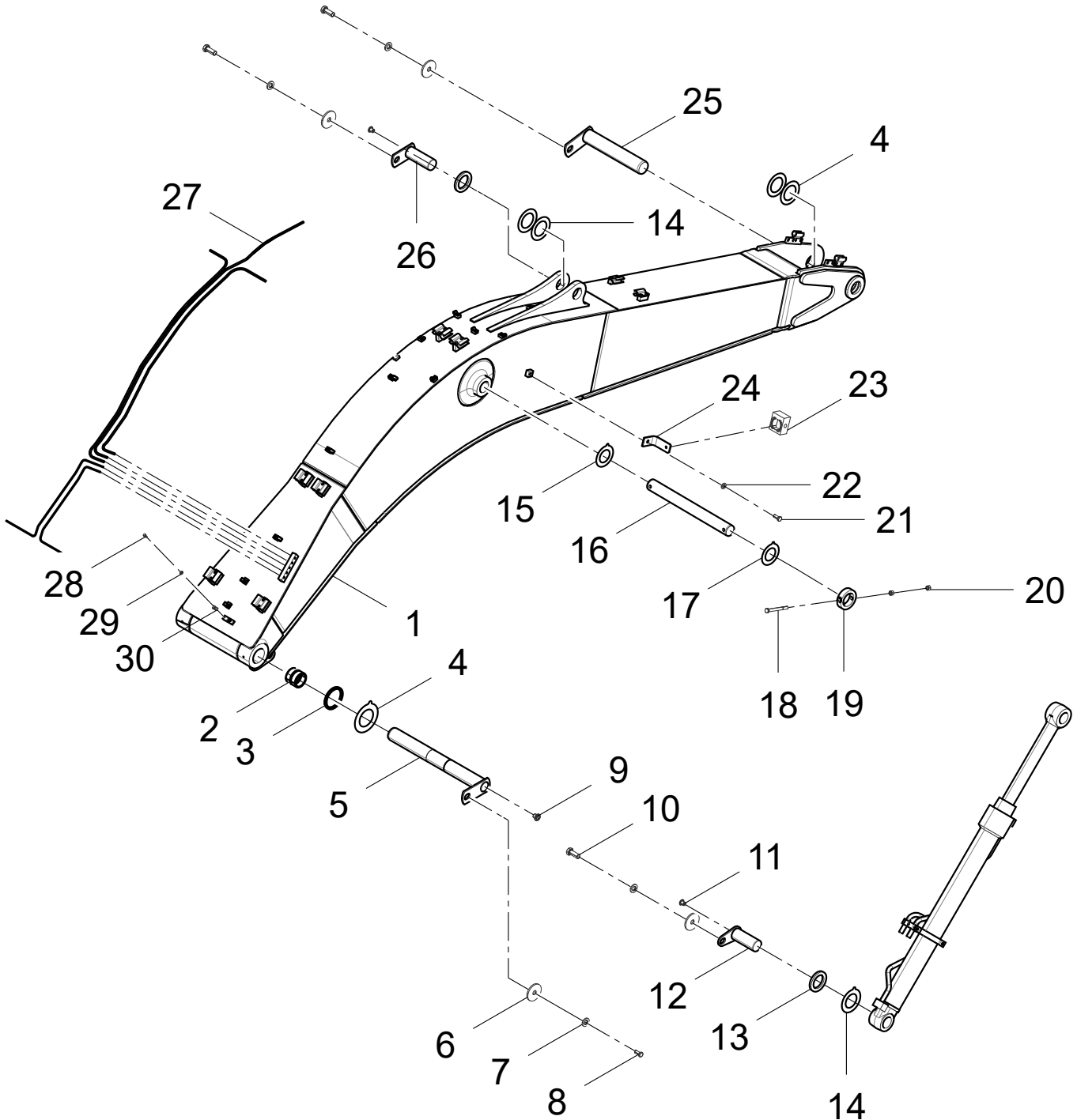
**(30612013600)
PLATFORM ASSEMBLY**

序号 NO.	S.C	PART NAME	PART NAME	CODE	QTY	NOTE
1	30612013603		PLATFORM WELDMENT	LG6225E1. 12. 01	1	
2	30612111519		LEFT CLOSE PLATE 1	CDM6225E. 12-01	1	
3	30612111520		LEFT CLOSE PLATE 2	CDM6225E. 12-02	1	
4	30614117926	12	WASHER 12	LG6240F. 14-06	53	
5	51204111222	M12×30	BOLT M12×30	GB/T5783	53	
6	30605100075		RUBBER SHEATH	CDM6210. 14. 04-08	3	
7	30612111521		LEFT CLOSE PLATE 3	CDM6225E. 12-03	1	
8	30612100841		RUBBER RING	LG6360. 12-17	2	
9	30613110313	3	RUBBER RING 3	LG6485E6. 13-07	1	
10	30612111522		LEFT CLOSE PLATE 4	CDM6225E. 12-04	1	
11	30612111527		MIDDLE CLOSE PLATE 1	CDM6225E. 12-09	1	
12	30612111528		MIDDLE CLOSE PLATE 2	CDM6225E. 12-10	1	
13	30613109890	1	RUBBER RING 1	LG6115. 13-01	2	
14	30612111777		BLENDBOARD	CDM6225E. 12-14	1	
15	30612112467	3	RUBBER RING 3	LG6240F. 12-05	4	
16	30612111526		RIGHT CLOSE PLATE 4	CDM6225E. 12-08	1	
17	30612111525		RIGHT CLOSE PLATE 3	CDM6225E. 12-07	1	
18	30612111524		RIGHT CLOSE PLATE 2	CDM6225E. 12-06	1	
19	30612111523		RIGHT CLOSE PLATE 1	CDM6225E. 12-05	1	
20	30612114892		RUBBER RING	LG6306. 12-03	2	
21	30612109300	7	RUBBER RING 7	CDM6060. 12-14	2	
22	30612100629	6	RUBBER RING 6	LG6230. 12-17	1	
23	30613100208		RUBBER PAD	LG6230. 13-04	1	
24	30613100205		GREASE COVERING	LG6230. 13-03	1	
25	60900009924	10	WASHER 10	Q/LG12003	2	
26	51204101022	M10×20	BOLT M10×20	GB/T5783	2	
27	30612120310		HEEL PLATE	LG6205E3. 12-01	4	

(30609012215)
SWING DRIVE DEVICE



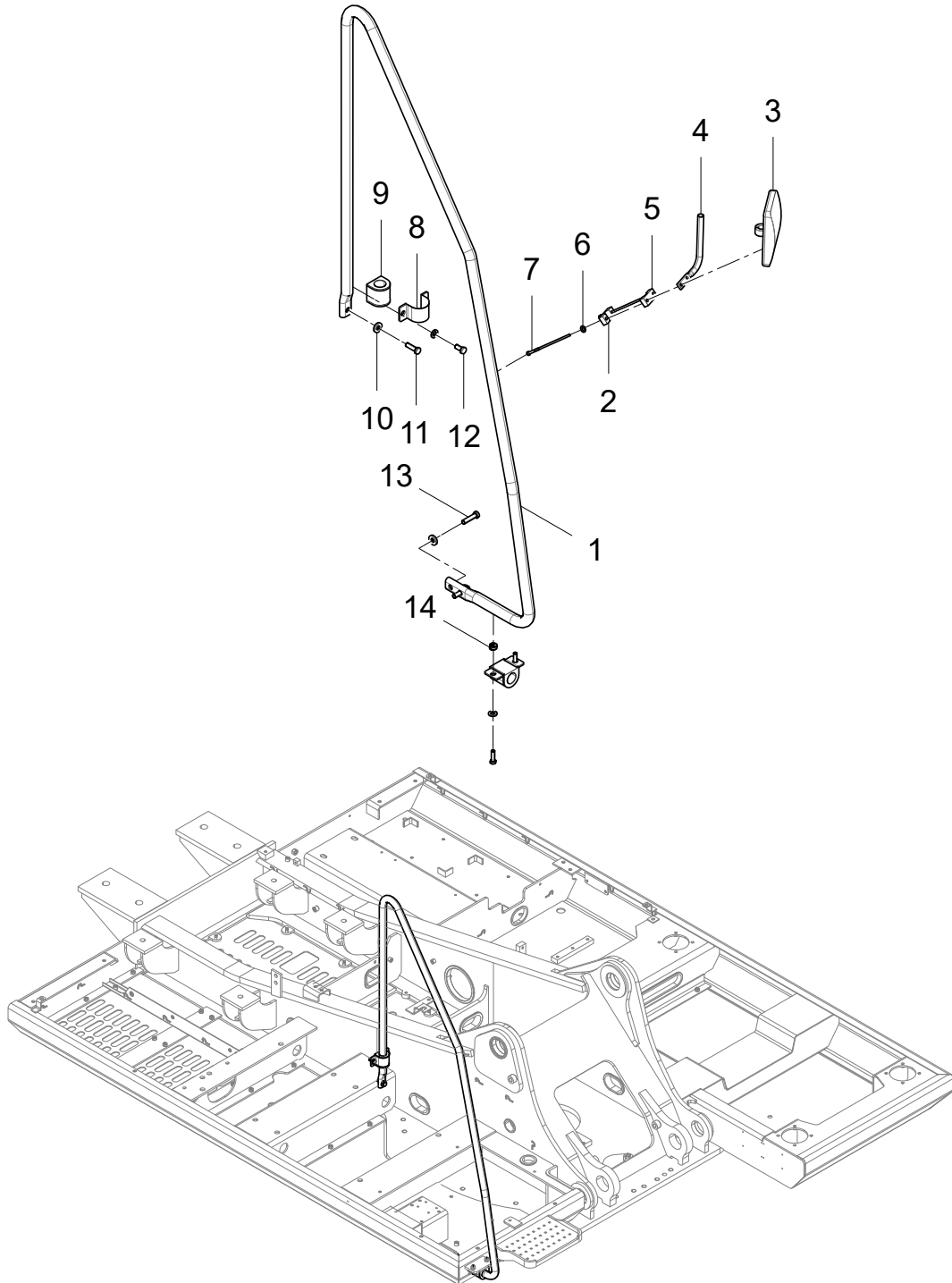
(30615007845)
BOOM ASSEMBLY



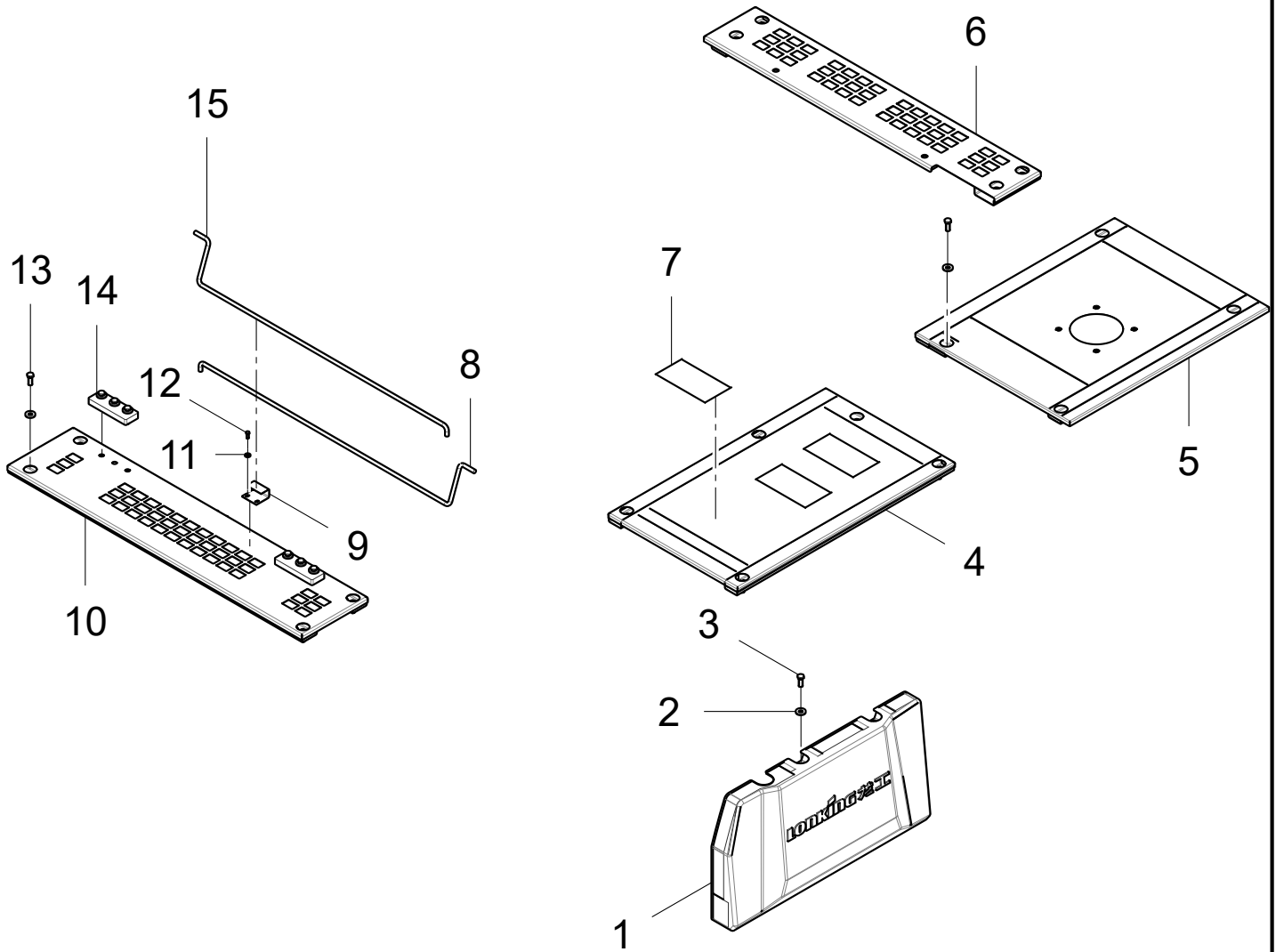
**(30615007845)
BOOM ASSEMBLY**

NO.	S.C	PART NAME	PART NAME	CODE	QTY	NOTE
1	30615007846		BOOM WELDMENT	CDM6225E. 15. 01	1	
2	30615106563		BUSH	CDM6210. 05-07A	2	
3	60980000065	90×105×6	DUST RING 90×105×6	VAW	2	
4	30615100171		ADJUSTING WASHER	LG6230. 15-03	4	
5	30615000041		REAR PIN ASSEMBLY	CDM6210. 05. 09	1	
6	30615100173	D22×5. 5	DAMPING RING D22×5.5	CDM6210. 05-08	5	
7	60900009928	20	WASHER 20	Q/LG12003	5	
8	51204151422	M20×40	BOLT M20×40	GB/T5783	1	
9	30616100317		PLUG	LG6360. 16-06	1	
10	51204153822	M20×30	BOLT M20×30	GB/T5783	4	
11	30616100318		PLUG	LG6360. 16-05	4	
12	30615000042		BOOM CYLINDER PIN ASSEMBLY	CDM6210. 05. 10	2	
13	30615100174	Φ82×12	PIN WASHER Φ82×12	CDM6210. 05-09	3	
14	30615100618		ADJUSTING WASHER	LG6230. 15-05	6	
15	30615100178		WASHER #	CDM6210. 05-14	2	
16	30615100177		BOOM MIDDLE PIN	CDM6210. 05-13A	1	
17	30616100350		ADJUSTING WASHER	LG6270. 16-01	4	
18	51203133121	M16×150	BOLT M16×150	GB/T5782	2	
19	30617100049	3	LUG 3	LG6230. 17. 01. 02. 01-04	2	
20	51307001322	M16	NUT M16	GB/T6170	4	
21	51204111122	M12×25	BOLT M12×25	GB/T5783	4	
22	60900009832	12	WASHER 12	Q/LG12003	4	
23	30615108241		LAMP COVER	LG6225S. 15-01	2	
24	30615100259		LAMP BRACKET	LG6230. 15-10	2	
25	30615000044		BOOM FRONT PIN ASSEMBLY	CDM6210. 05. 12	1	
26	30615007062		ARM CYLINDER PIN ASSEMBLY	LG6205. 15. 02	1	
27	30615008861		LUBRICATION PIPELINE	CDM6225E. 15. 02	1	
28	51204090922	M8×16	BOLT M8×16	GB/T5783	5	
29	60900009923	8	WASHER 8	Q/LG12003	5	
30	30615100311		PIPE CLAMP	LG6150. 15-17	8	

(30614012935)
HAND RAIL ASSEMBLY



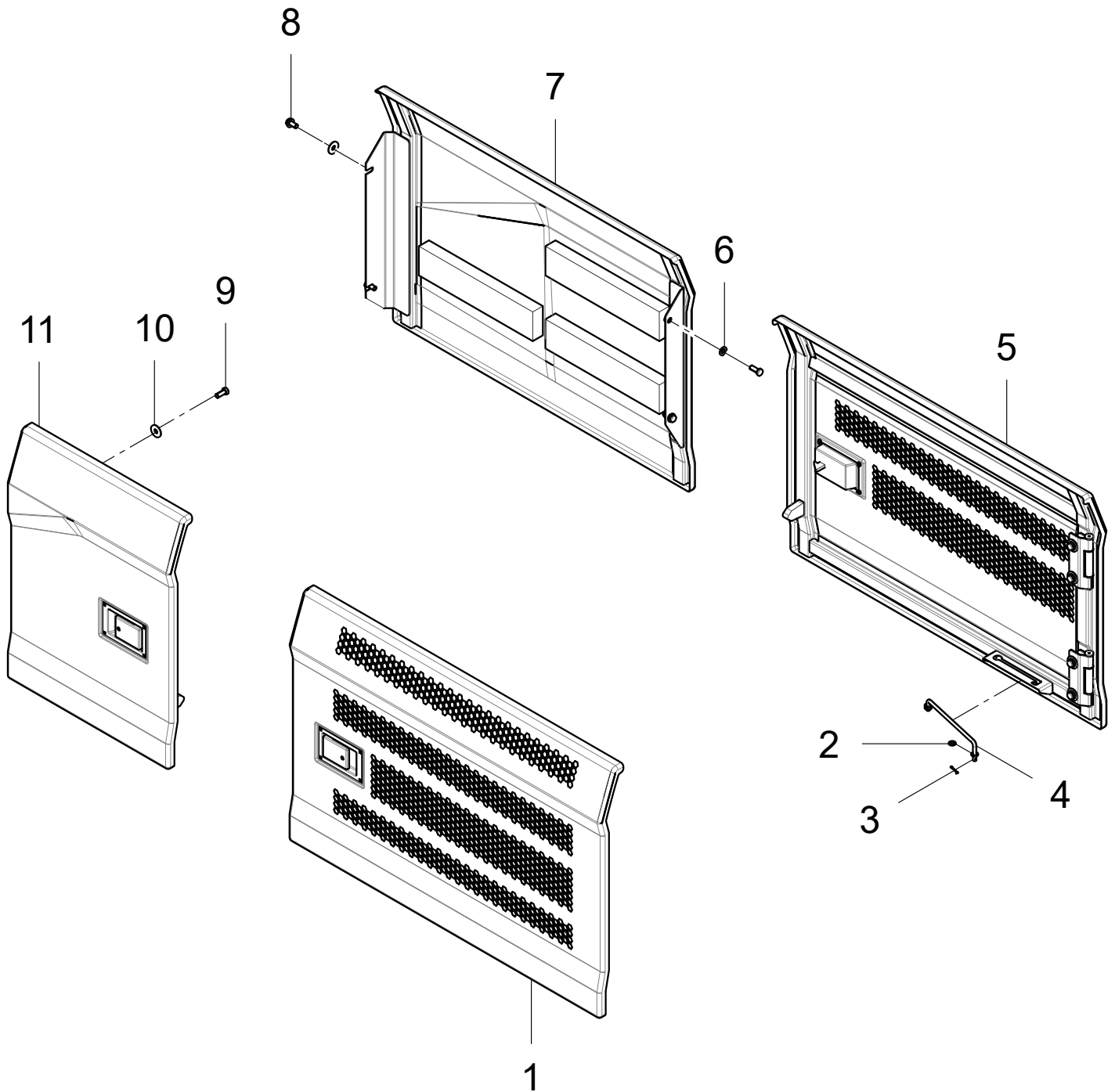
(30614013695)
COVER PLATE ASSEMBLY



(30614013695)
COVER PLATE ASSEMBLY

NO.	S.C	PART NAME	PART NAME	CODE	QTY	NOTE
1	30614012932		FRONT COVER WELDMENT	LG6205E3. 14. 03. 01	1	
2	30614117925	12	WASHER 12	LG6240F. 14-05	22	
3	51204111218	M12×30	BOLT M12×30	GB/T5783	20	
4	30614013441		FRONT MIDDLE COVER PLATE WELDME NT	CDM6225S. 14. 03. 01	1	
5	30614013696		LEFT FRONT COVER PLATE WELDMENT	LG6225E1. 14. 03. 01	1	
6	30614013697		LEFT REAR COVER PLATE WELDMENT	LG6225E1. 14. 03. 02	1	
7	30625100078		ANTISKID MAT	LG6230. 25-02	6	
8	30614106636		FRONT TORSIONAL SPRING	LG6225W. 14-01	1	
9	30614100287		PRESSING PLATE	LG6230. 14-06	1	
10	30614013698		RIGHT REAR COVER PLATE WELDMENT	LG6225E1. 14. 03. 03	1	
11	60900009922	6	WASHER 6	Q/LG12003	2	
12	51204081022	M6×20	BOLT M6×20	GB/T5783	2	
13	51204111118	M12×25	BOLT M12×25	GB/T5783	2	
14	30614120018		PLATE	LG6205E3. 14. 03. 05-07	2	
15	30614106637		REAR TORSIONAL SPRING	LG6225W. 14-02	1	

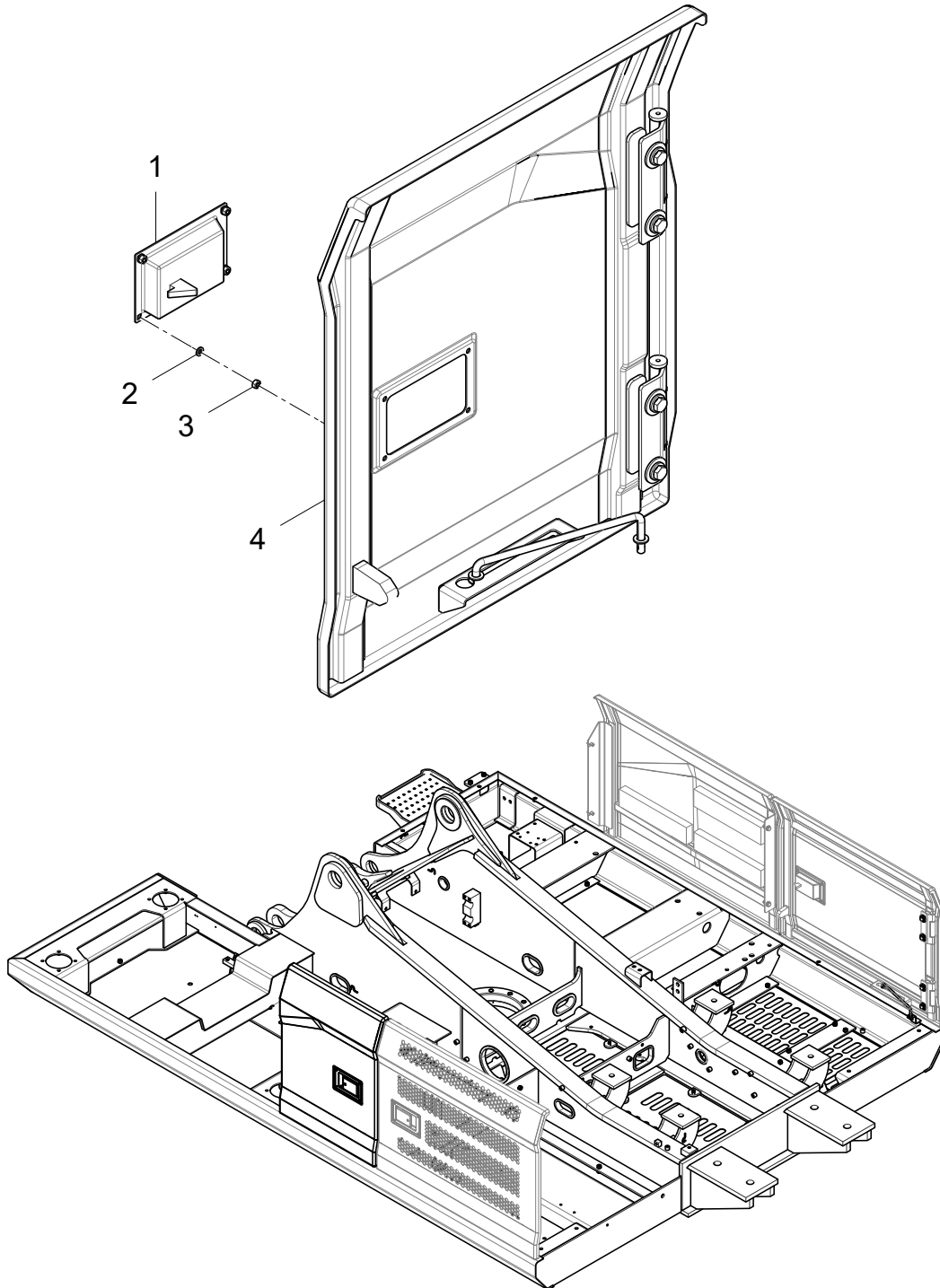
(30614013699)
DOOR ASSEMBLY



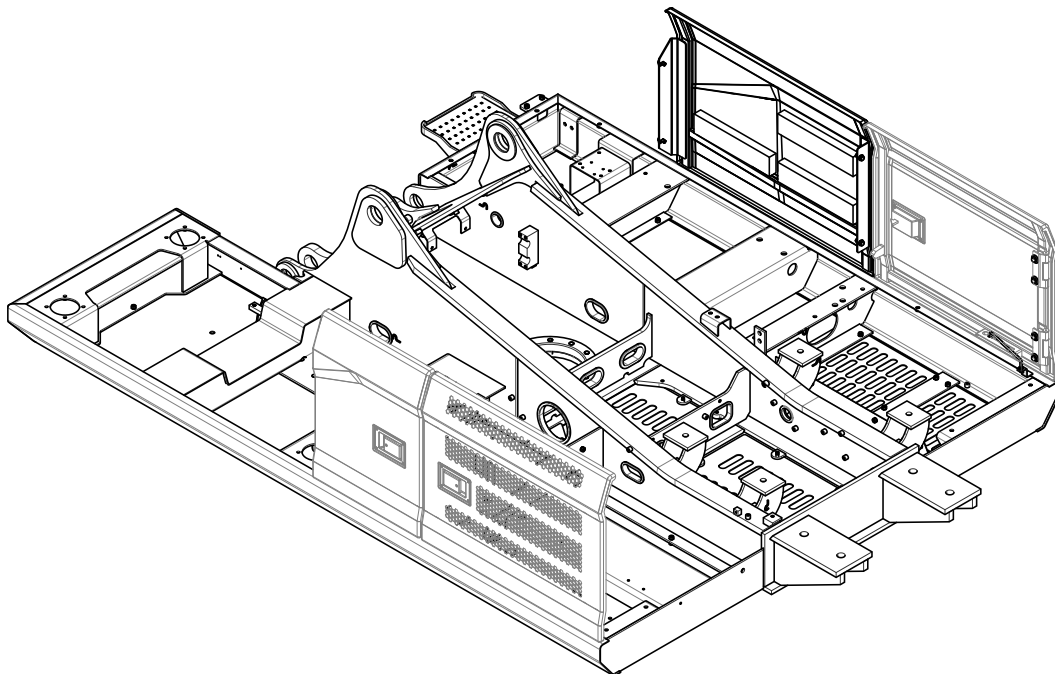
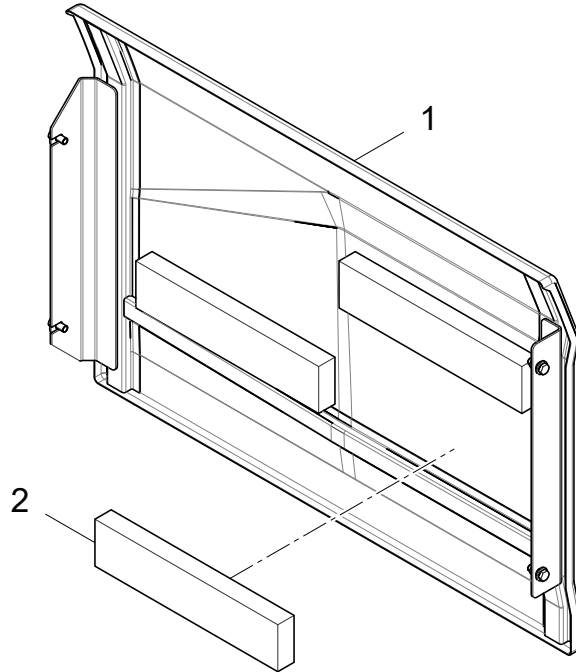
(30614013699)
DOOR ASSEMBLY

NO.	S.C	PART NAME	PART NAME	CODE	QTY	NOTE
1	30614013701		LEFT REAR DOOR	LG6225E1. 14. 04. 01	1	
2	60900009924	10	WASHER 10	Q/LG12003	3	
3	51512081201	3. 2×25	PIN 3.2×25	GB/T91	3	
4	30614005325		DOOR STAY	LG6270E. 14. 04. 05	3	
5	30614013703		RIGHT REAR DOOR	LG6225E1. 14. 04. 02	1	
6	30614117925	12	WASHER 12	LG6240F. 14-05	2	
7	30614012927		RIGHT FRONT DOOR	LG6205E3. 14. 04. 04	1	
8	51204111118	M12×25	BOLT M12×25	GB/T5783	2	
9	51204111218	M12×30	BOLT M12×30	GB/T5783	14	
10	30614117926	12	WASHER 12	LG6240F. 14-06	14	
11	30614012925		LEFT FRONT DOOR	LG6205E3. 14. 04. 01	1	

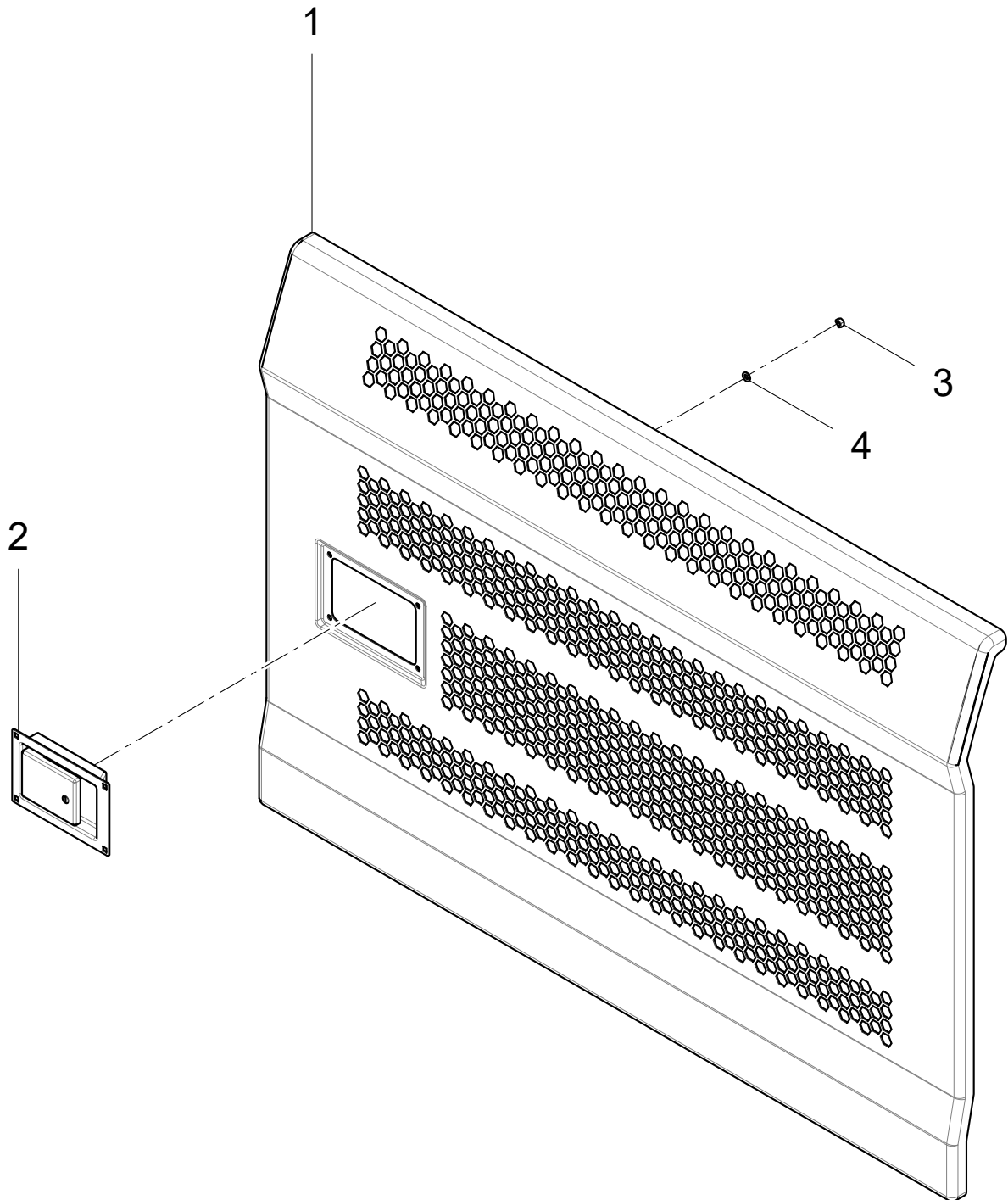
(30614012925)
LEFT FRONT DOOR



(30614012927)
RIGHT FRONT DOOR



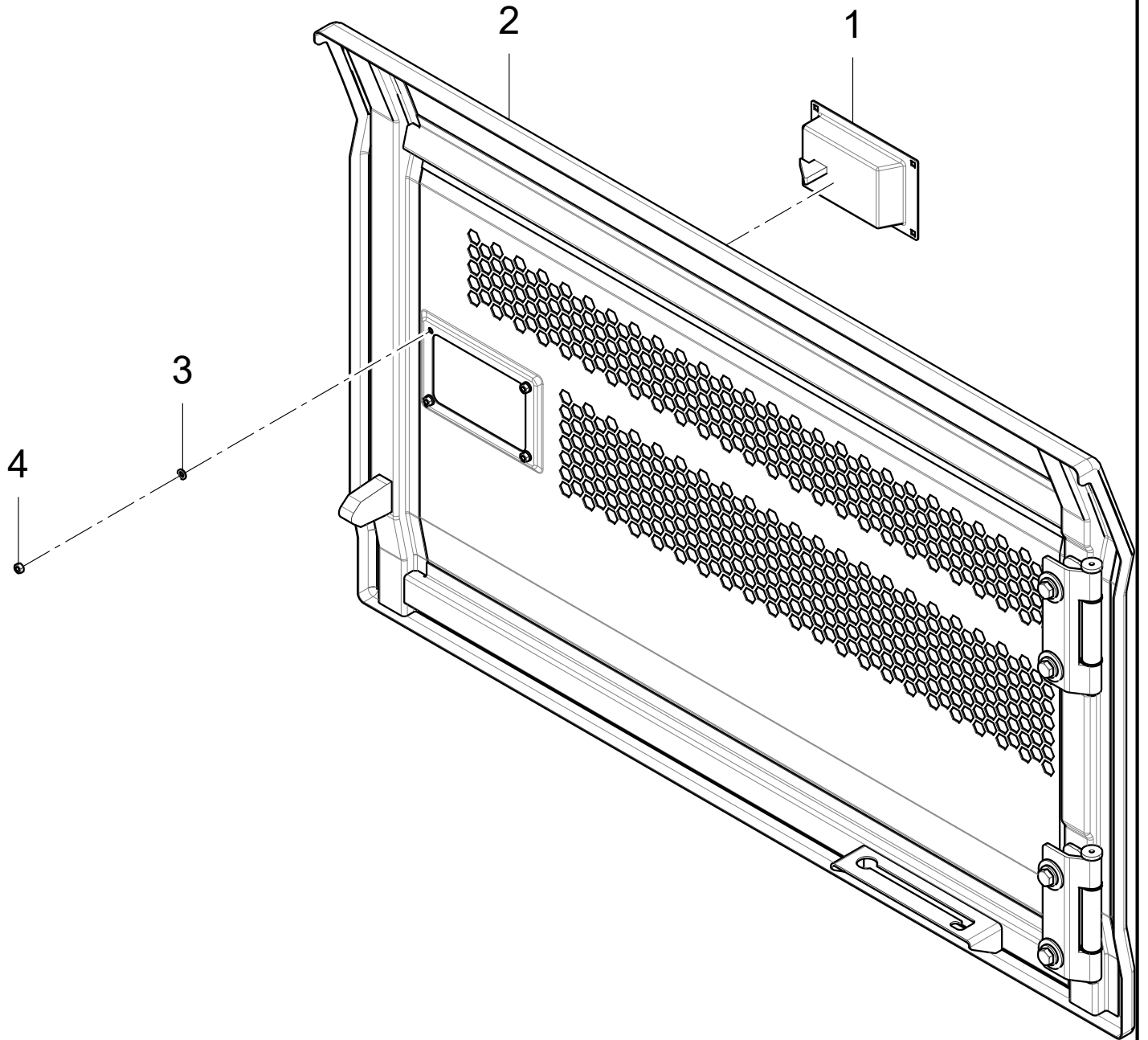
(30614013701)
LEFT REAR DOOR



**(30614013701)
LEFT REAR DOOR**

NO.	S.C	PART NAME	PART NAME	CODE	QTY	NOTE
1	51341000419	M6	NUT M6	GB/T889. 1	4	
2	60900009922	6	WASHER 6	Q/LG12003	4	
3	30614013702		LEFT REAR DOOR WELDMENT	LG6225E1. 14. 04. 01. 01	1	
4	60701010019		DOOR LOCK	LGW-NBS504B	1	

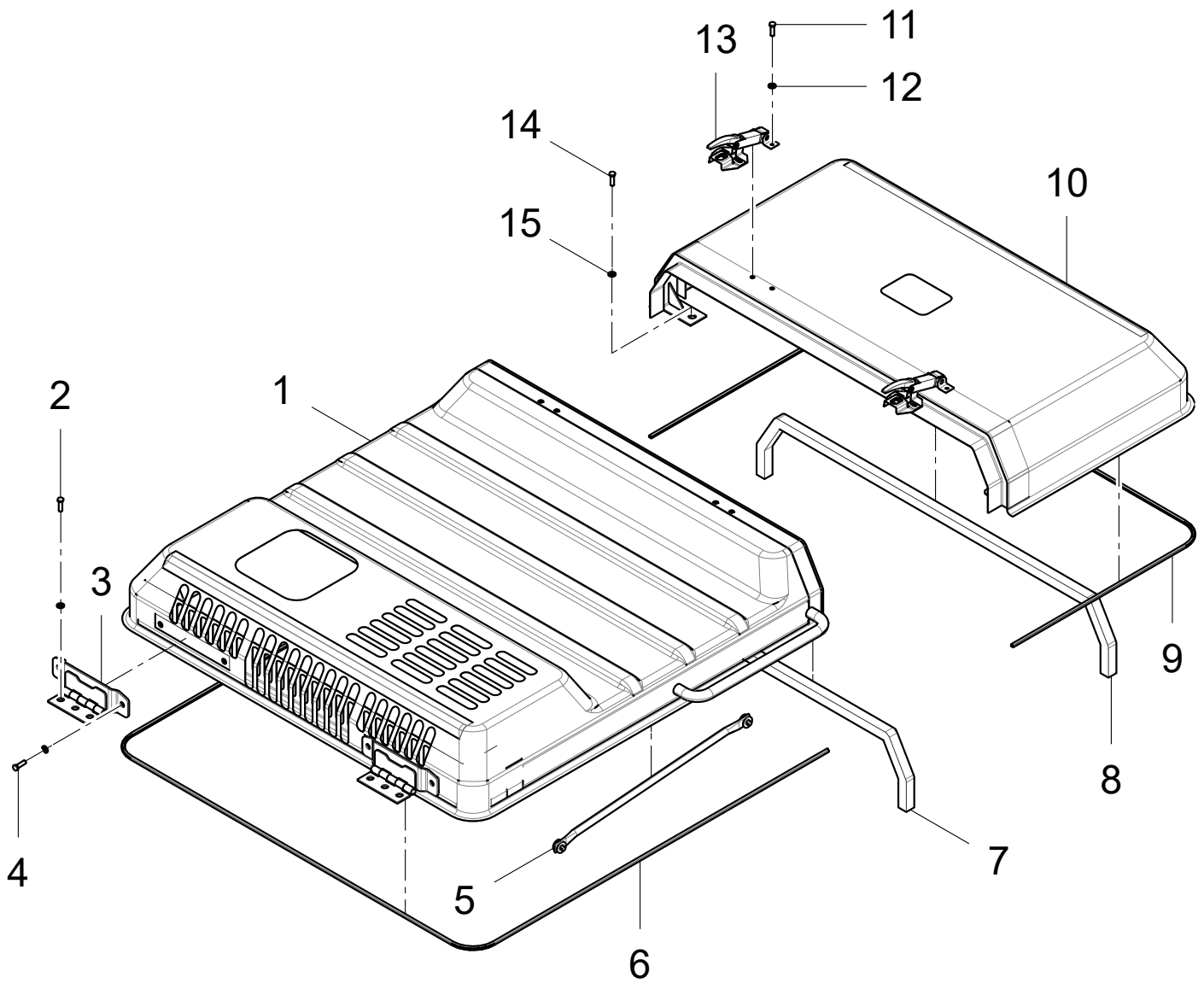
(30614013703)
RIGHT REAR DOOR



(30614013703)
RIGHT REAR DOOR

NO.	S.C	PART NAME	PART NAME	CODE	QTY	NOTE
1	30614013704		RIGHT REAR DOOR WELDMENT	LG6225E1. 14. 04. 02. 01	1	
2	60701010019		DOOR LOCK	LGW-NBS504B	1	
3	51341000419	M6	NUT M6	GB/T889. 1	4	
4	60900009922	6	WASHER 6	Q/LG12003	4	

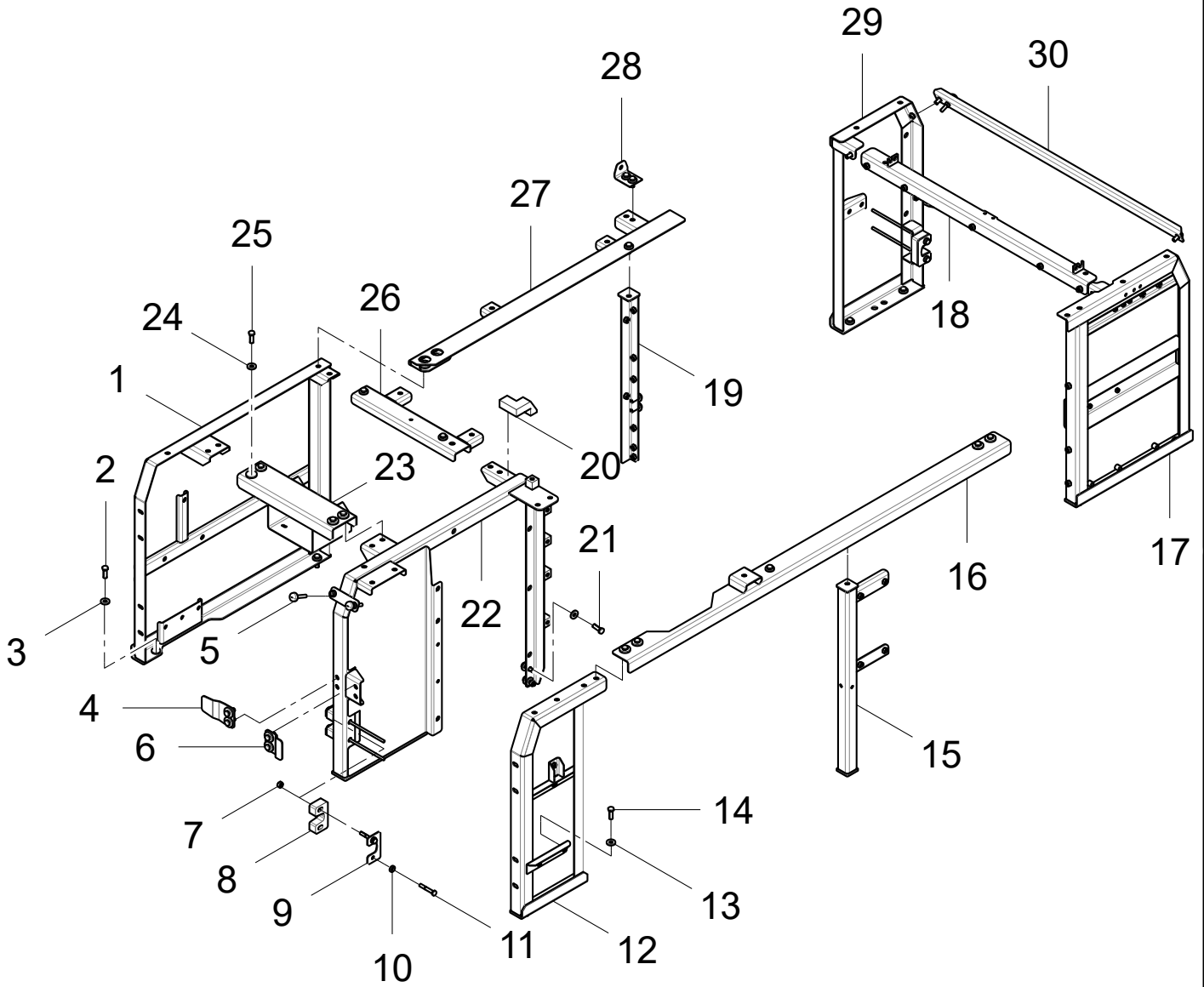
(30614013700)
HOOD ASSEMBLY



(30614013700)
HOOD ASSEMBLY

NO.	S.C	PART NAME	PART NAME	CODE	QTY	NOTE
1	30614007796		RIGHT HOOD WELDMENT	CDM6225E. 14. 05. 02	1	
2	51204111318	M12×35	BOLT M12×35	GB/T5783	4	
3	30614000125		HINGE	LG6230. 14. 05. 02	2	
4	51204111618	M12×50	BOLT M12×50	GB/T5783	6	
5	30614000022		JACKSTAY	CDM6210. 15. 09	1	
6	60900006603	L4000	RUBBER STRIP L4000	WD016	1	
7	30614106634		BUFFER	LG6225W. 14. 05-01	1	
8	30614111409		SPONGE	CDM6225E. 14. 05-01	1	
9	60900009581	L3020	RUBBER STRIP L3020	WD016	1	
10	30614013705		LEFT HOOD WELDMENT	LG6225E1. 14. 05. 01	1	
11	51204091018	M8×20	BOLT M8×20	GB/T5783	8	
12	30614117921	8	THICKENING WASHER 8 (SMALL)	LG6240F. 14-01	8	
13	60701010032		ENGINE HOOD LOCK	NBS415	2	
14	51204111218	M12×30	BOLT M12×30	GB/T5783	4	
15	30614117925	12	WASHER 12	LG6240F. 14-05	14	

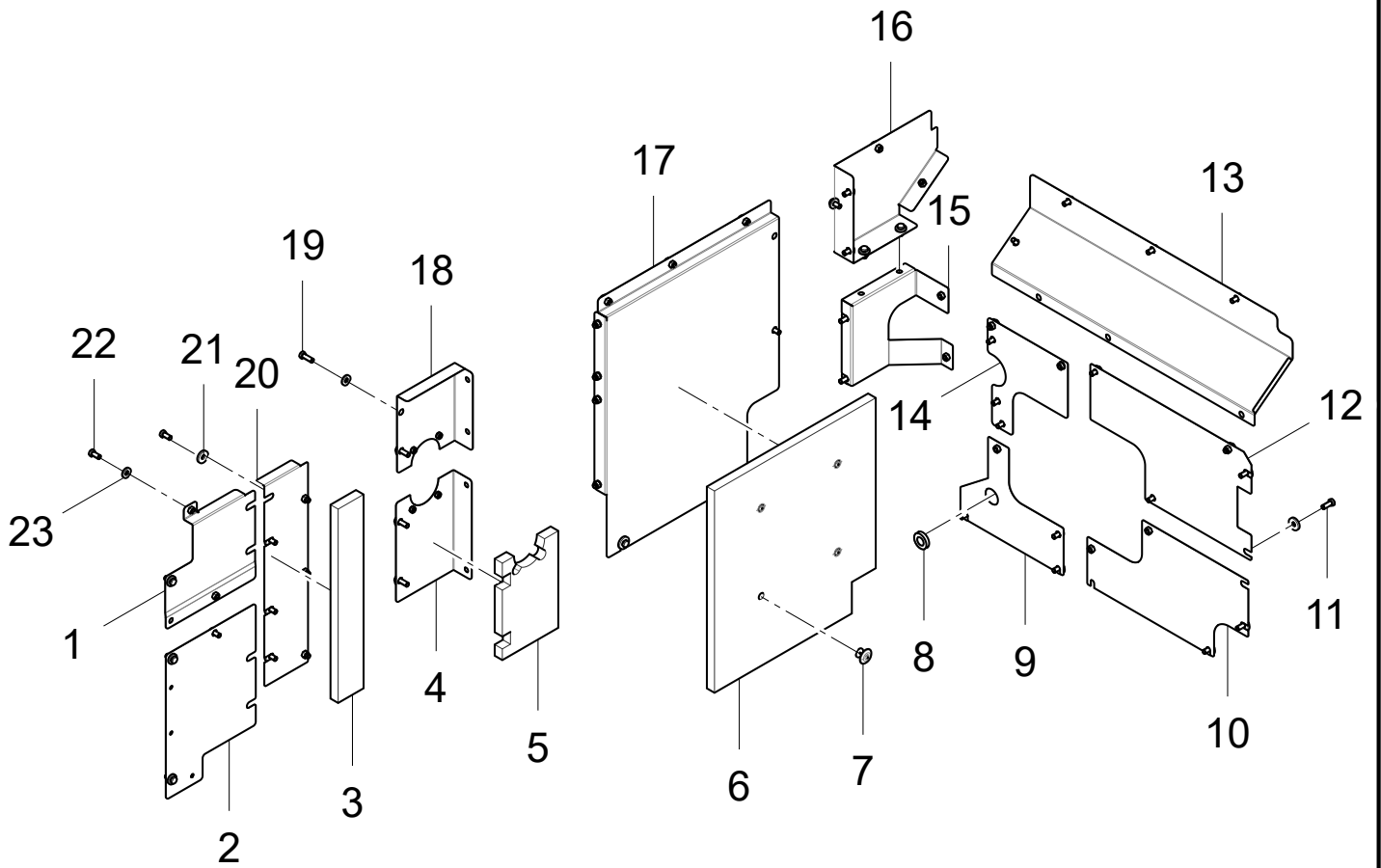
(30614013668)
BRACKET ASSEMBLY



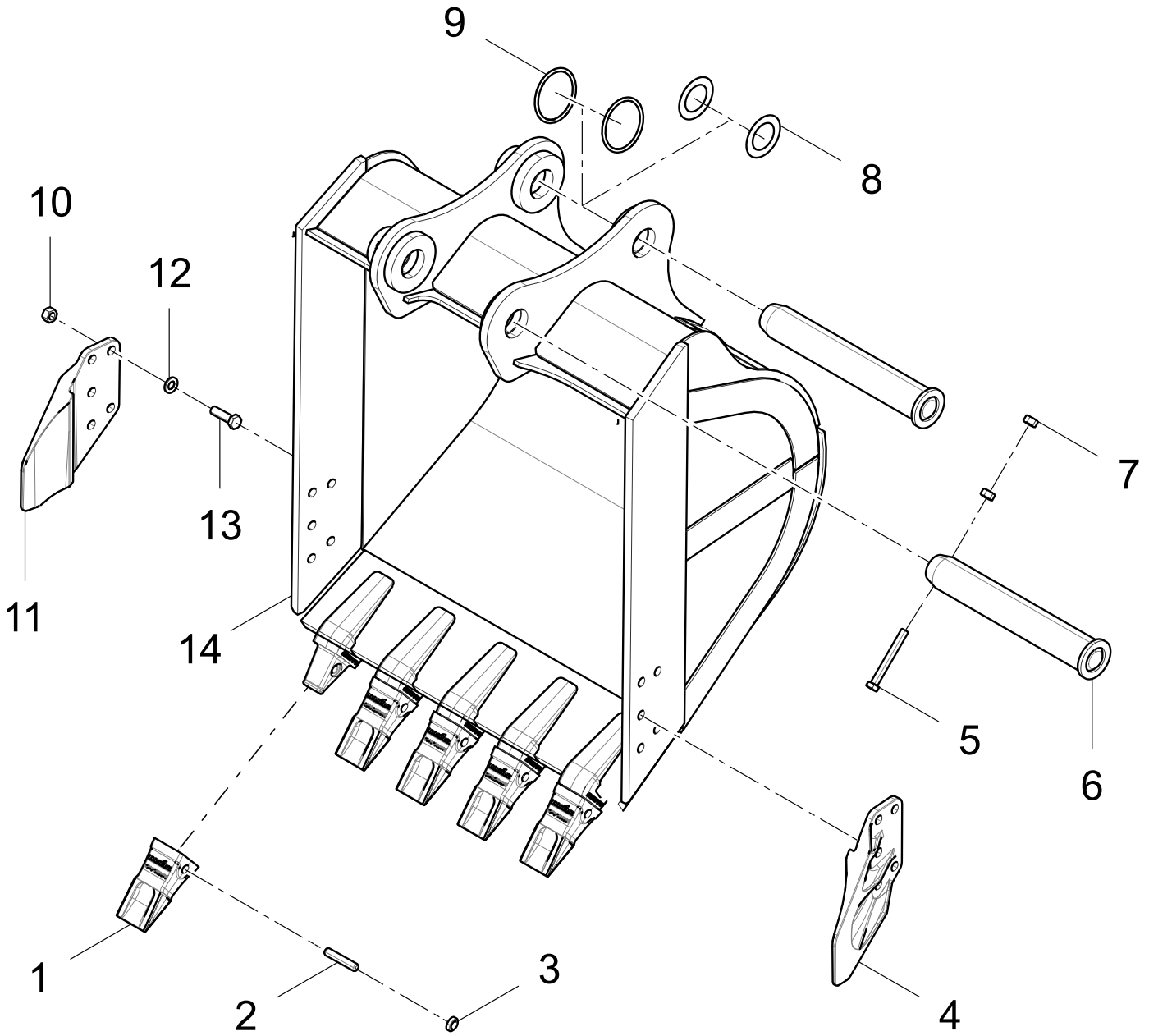
(30614013668)
BRACKET ASSEMBLY

NO.	S.C	PART NAME	PART NAME	CODE	QTY	NOTE
1	30614013669		LEFT FRONT BRACKET WELDMENT	LG6225E1. 14. 01. 01	1	
2	30614117925	12	WASHER 12	LG6240F. 14-05	25	
3	51204111418	M12×40	BOLT M12×40	GB/T5783	2	
4	30614119961	1	LOCK PLATE 1	LG6205E3. 14. 01-01	2	
5	30614000126		STOP SCREW	LG6230. 14. 01. 02. 02	3	
6	30614119962	2	LOCK PLATE 2	LG6205E3. 14. 01-02	1	
7	51307001020	M10	NUT M10	GB/T6170	9	
8	30614105397		COLLISION BLOCK	LG6365E1. 14. 01-04	3	
9	30614110764		PRESSING PLATE	LG6485E6. 14. 01-06	3	
10	30614117923	10	THICKENING WASHER 10 (SMALL)	LG6240F. 14-03	15	
11	51203101918	M10×65	BOLT M10×65	GB/T5782	6	
12	30614013678		LEFT REAR BRACKET WELDMENT	LG6225E1. 14. 01. 10	1	
13	30614117921	8	THICKENING WASHER 8 (SMALL)	LG6240F. 14-01	2	
14	51204091118	M8×25	BOLT M8×25	GB/T5783	2	
15	30614013680		REAR MIDDLE BRACKET WELDMENT	LG6225E1. 14. 01. 12	1	
16	30614013677		REAR MIDDLE BEAM WELDMENT	LG6225E1. 14. 01. 09	1	
17	30614013675		RIGHT REAR BRACKET WELDMENT	LG6225E1. 14. 01. 07	1	
18	30614013676		RIGHT MIDDLE BEAM WELDMENT	LG6225E1. 14. 01. 08	1	
19	30614013679		FRONT MIDDLE BRACKET WELDMENT	LG6225E1. 14. 01. 11	1	
20	30614120822		GASKET	LG6225E1. 14. 01-01	1	
21	51204111318	M12×35	BOLT M12×35	GB/T5783	12	
22	30614014259		LEFT MIDDLE BRACKET WELDMENT	LG6225E1. 14. 01. 03A	1	
23	30614013099		AIR FILTER BRACKET	LG6205E3. 14. 01. 02	1	
24	30614117926	12	WASHER 12	LG6240F. 14-06	16	
25	51204111218	M12×30	BOLT M12×30	GB/T5783	27	
26	30614013670		LEFT FRONT BEAM WELDMENT	LG6225E1. 14. 01. 02	1	
27	30614013672		FRONT MIDDLE BEAM WELDMENT	LG6225E1. 14. 01. 04	1	
28	30614102110		JACKSTAY SEAT	LG6225E. 14-01	1	
29	30614013673		RIGHT FRONT BRACKET WELDMENT	LG6225E1. 14. 01. 05	1	
30	30614013674		RIGHT BEAM WELDMENT	LG6225E1. 14. 01. 06	1	

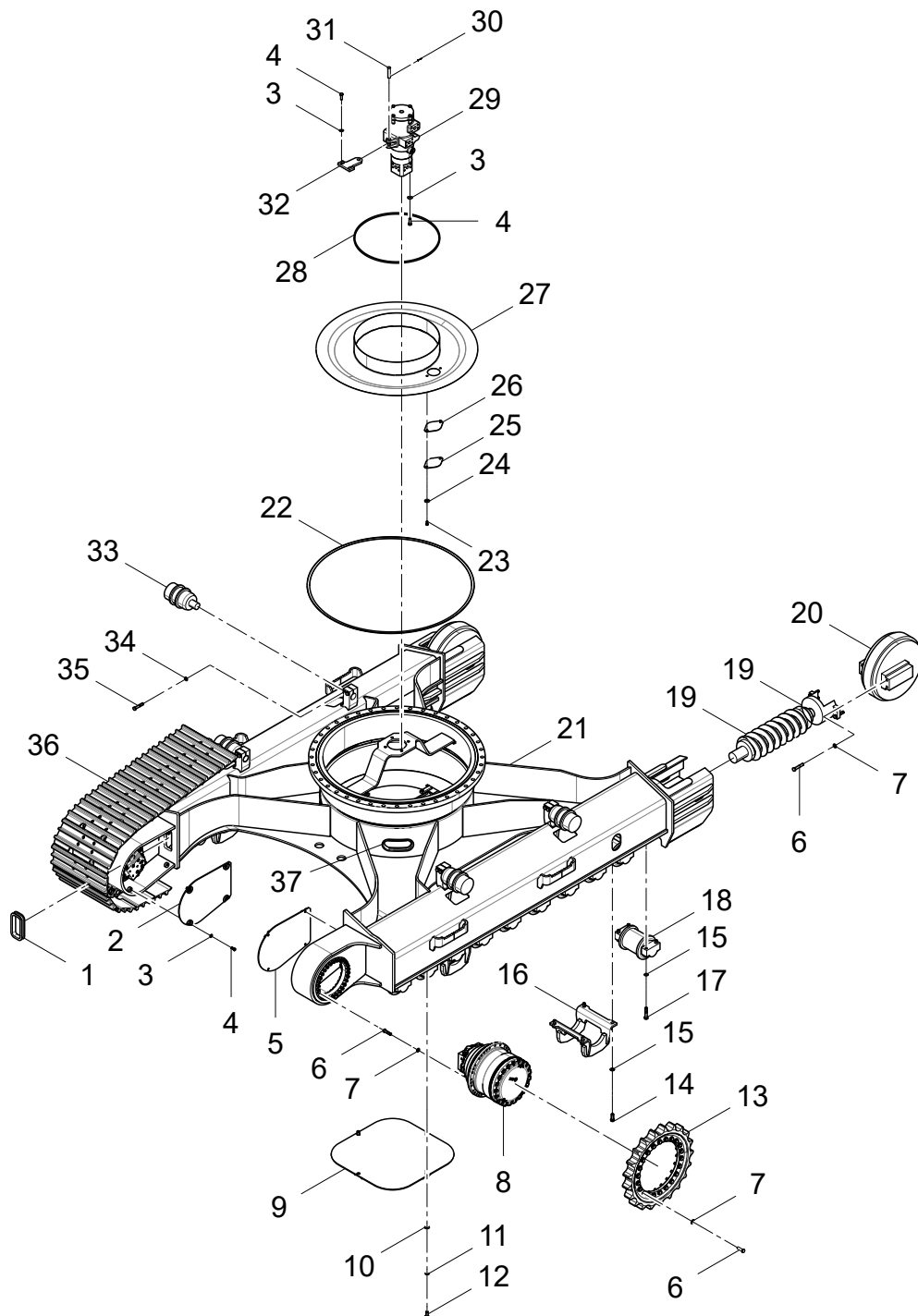
(30614013681)
SPACER PLATE ASSEMBLY



(30617011321)
BUCKET ASSEMBLY



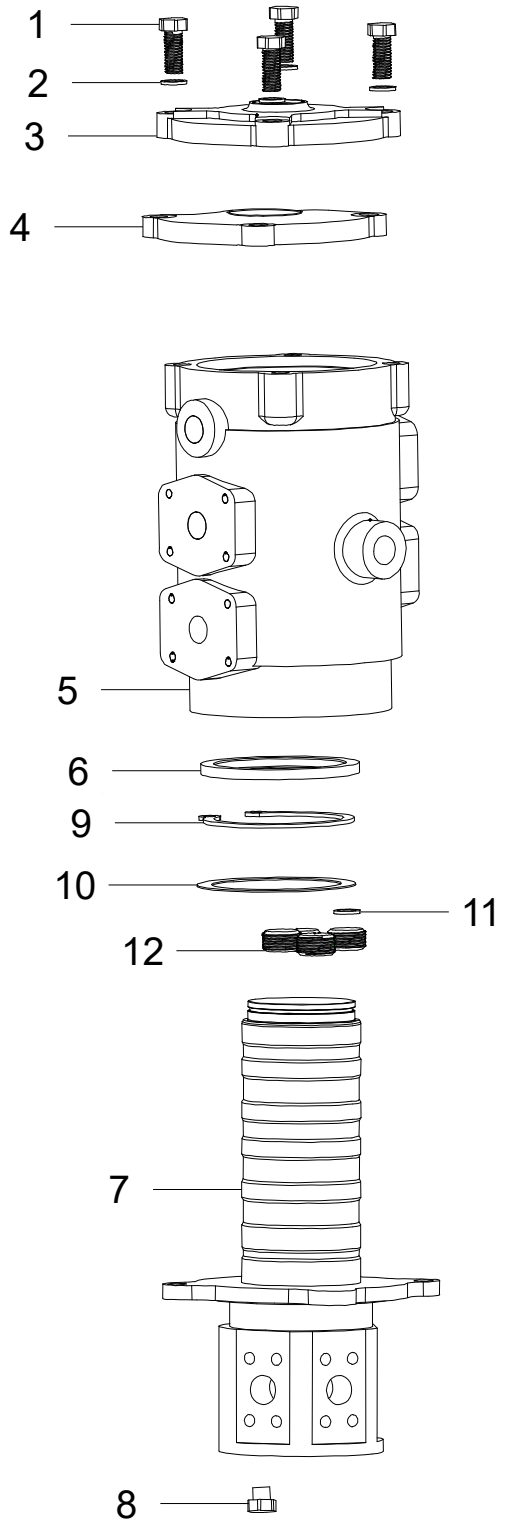
(30613009753)
UNDERCARRIAGE ASSEMBLY



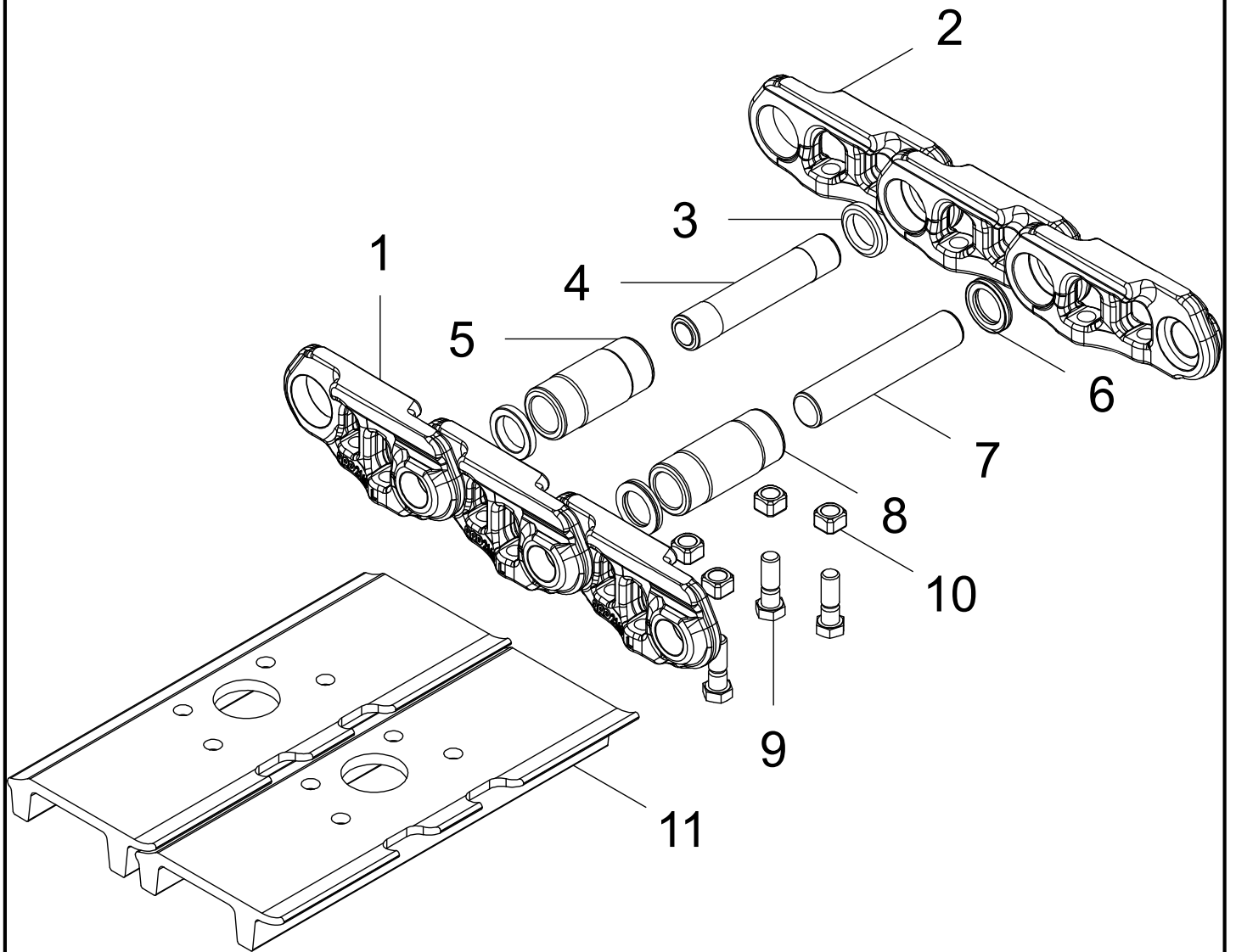
(30613009753)
UNDERCARRIAGE ASSEMBLY

NO.	S.C	PART NAME	PART NAME	CODE	QTY	NOTE
1	30613100522		RUBBER SHEATH	CDM6210. 08. 10-01	2	
2	30613011607		LEFT COVER PLATE	LG6270E. 13. 04	1	
3	60900009832	12	WASHER 12	Q/LG12003	14	
4	51204111222	M12×30	BOLT M12×30	GB/T5783	14	
5	30613011606		RIGHT COVER PLATE	LG6270E. 13. 03	1	
6	51204133322	M16×50	BOLT M16×50	GB/T5783	112	
7	60900009926	16	WASHER 16	Q/LG12003	112	
8	16954170400		TRAVEL MOTOR & REDUCTOR ASSEMBLY	JXD167. 00	2	
9	30613005926		BOTTOM CLOSE PLATE WELDMENT	LG6270E. 13. 02	1	
10	51401120122	14	WASHER 14	GB/T93	4	
11	60900009925	14	WASHER 14	Q/LG12003	4	
12	51204121222	M14×30	BOLT M14×30	GB/T5783	4	
13	17502301001		DRIVE WHEEL	LGWQ230	2	
14	51204141622	M18×50	BOLT M18×50	GB/T5783	16	
15	60900009927	18	WASHER 18	Q/LG12003	80	
16	30613000032		CHAIN HOLDER	CDM6210. 08. 01	4	
17	51203143721	M18×85	BOLT M18×85	GB/T5782	64	
18	17502102001		TRACK ROLLER ASS'Y	LGWZ210	16	
19	60206000015		IDLER CUSHION	ZJOC-H6a	2	
19	60900001375		IDLER CUSHION	LG6220-ZJ-00	2	
20	17502103001		FRONT IDLER ASSEMBLY	LGWY210	2	
21	30613009754		UNDERCARRIAGE WELDMENT	CDM6225E. 13A. 01	1	
22	30613114526		RUBBER PAD	CDM6225E. 13A-03	1	
23	51204101122	M10×25	BOLT M10×25	GB/T5783	2	
24	60900009924	10	WASHER 10	Q/LG12003	2	
25	30613100205		GREASE COVERING	LG6230. 13-03	1	
26	30613100208		RUBBER PAD	LG6230. 13-04	1	
27	30613009755		GREASE POOL	CDM6225E. 13A. 02	1	
28	30613114525		RUBBER RING	CDM6225E. 13A-01	1	
29	60911010395		CENTER SWIVEL JOINT	6ZWII18K2F	1	
30	51512091601	4×40	PIN 4×40	GB/T91	1	
31	51510092202	16×65	PIN 16×65	GB/T882A型	1	
32	30613100114		BRAKE PLATE	CDM6210. 08-05	1	
33	17502104001		CARRIER ROLLER ASS'Y	LGWT210	4	
34	60900009929	24	WASHER 24	Q/LG12003	4	
35	51203172621	M24×100	BOLT M24×100	GB/T5782	4	
36	17502255004		TRACK ASS'Y	LGWL225	2	
37	30613100000		RUBBER SHEATH	CDM6210. 08. 10-02	2	

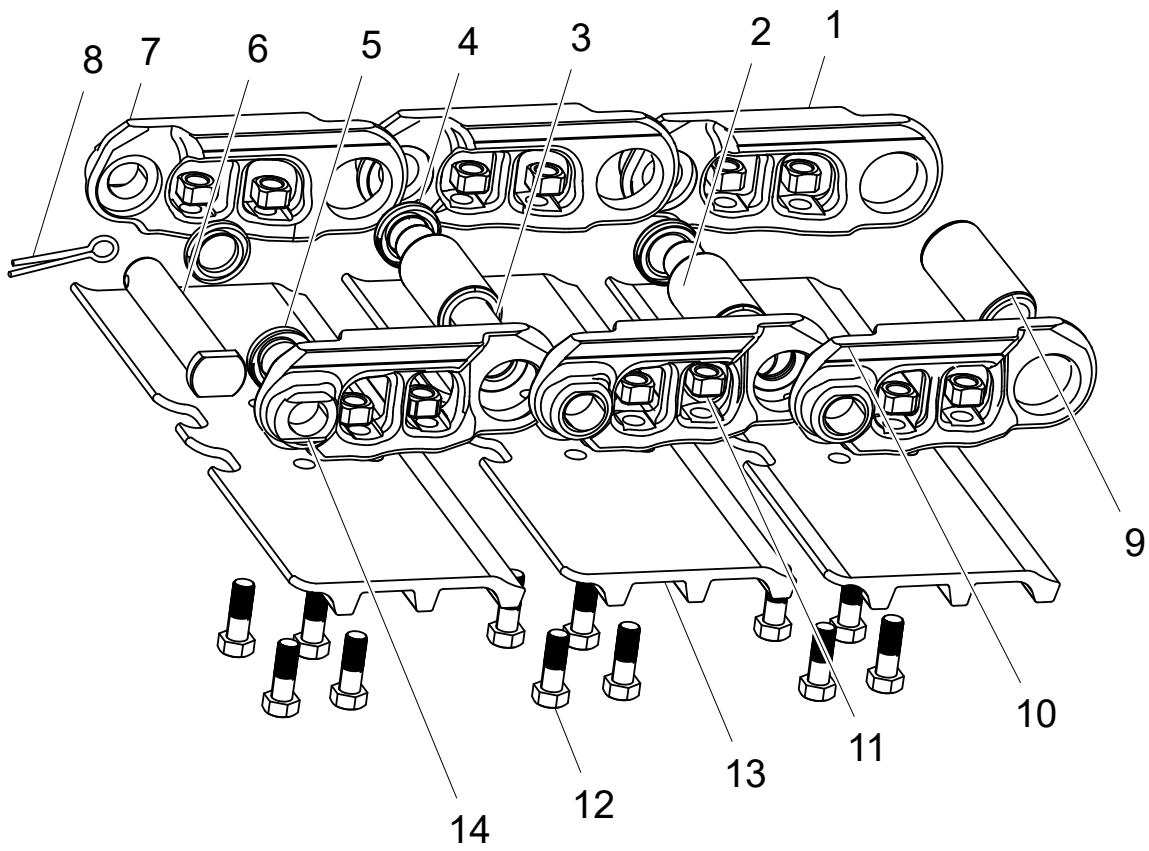
(60911010395)
CENTER SWIVEL JOINT



(17502205201)
TRACK ASS'Y



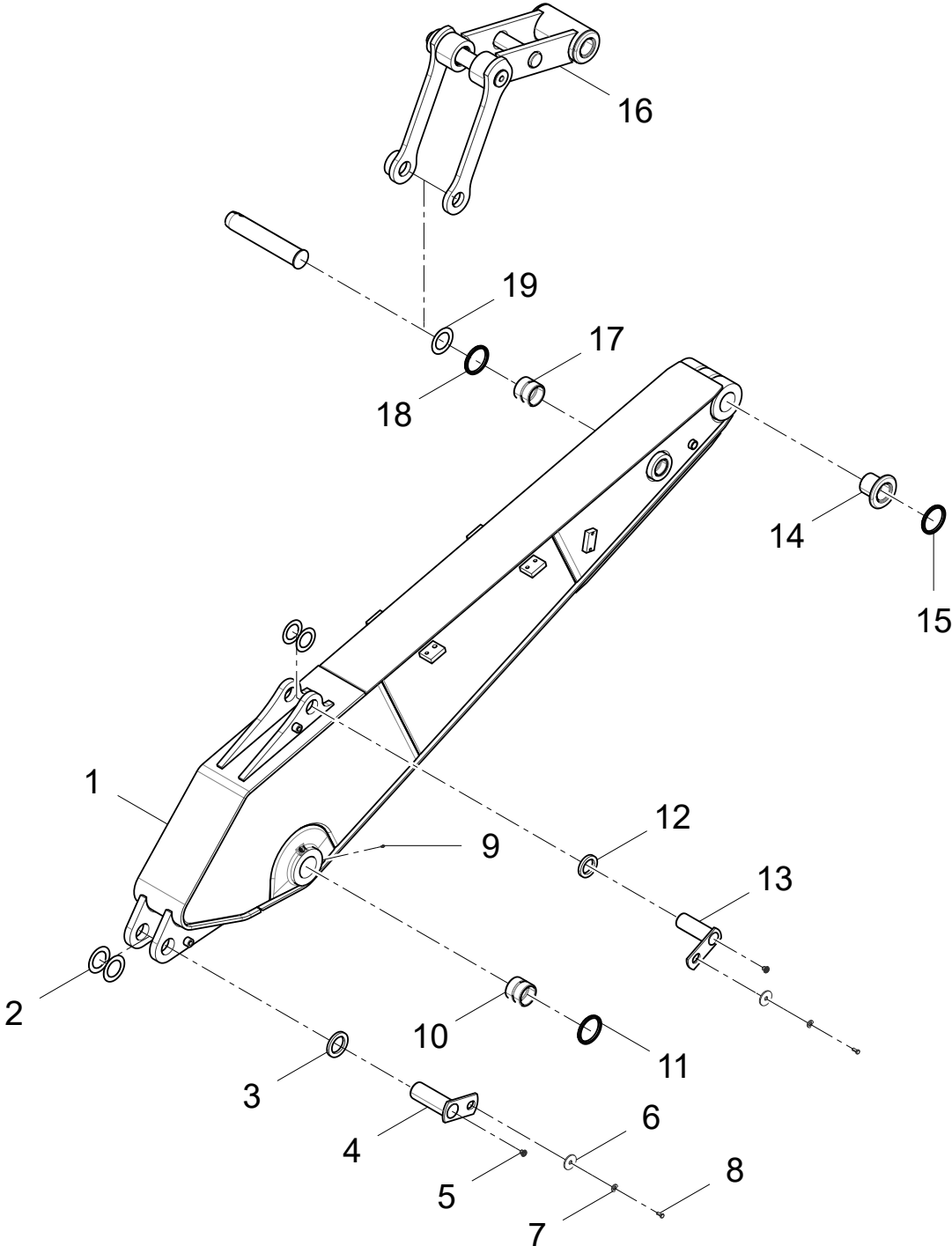
(17502255004)
TRACK ASS'Y



(17502255004)
TRACK ASS'Y

NO.	S.C	PART NAME	PART NAME	CODE	QTY	NOTE
1	37505100022		RIGHT LINK	LGWL210-04	46	
2	37505100024		PIN BUSH	LGWL210-07	48	
3	37505100023		PIN	LGWL210-06	48	
4	60206000131	1	SEAL RING 1	LGWL210-08	96	
5	60206000132	2	SEAL RING 2	LGWL210-10	2	
6	37505100025		MOVABLE PIN	LGWL210-09	1	
7	37505100020		RIGHT CHAIN LINK JOINT	LGWL210-02	1	
8	51512121801		COTTER PIN	GB/T91	1	
9	37505100026		MOVABLE PIN SHAFT SLEEVE	LGWL210-11	1	
10	37505100021		LEFT CHAIN LINK	LGWL210-03	48	
11	60206000133		NUT	LGWL210-12	196	
12	60206000134		BOLT	LGWL210-13	196	
13	60206000130		TRACK SHOE	LGWL210-05	49	
14	37505100019		LEFT CHAIN LINK JOINT	LGWL210-01	1	

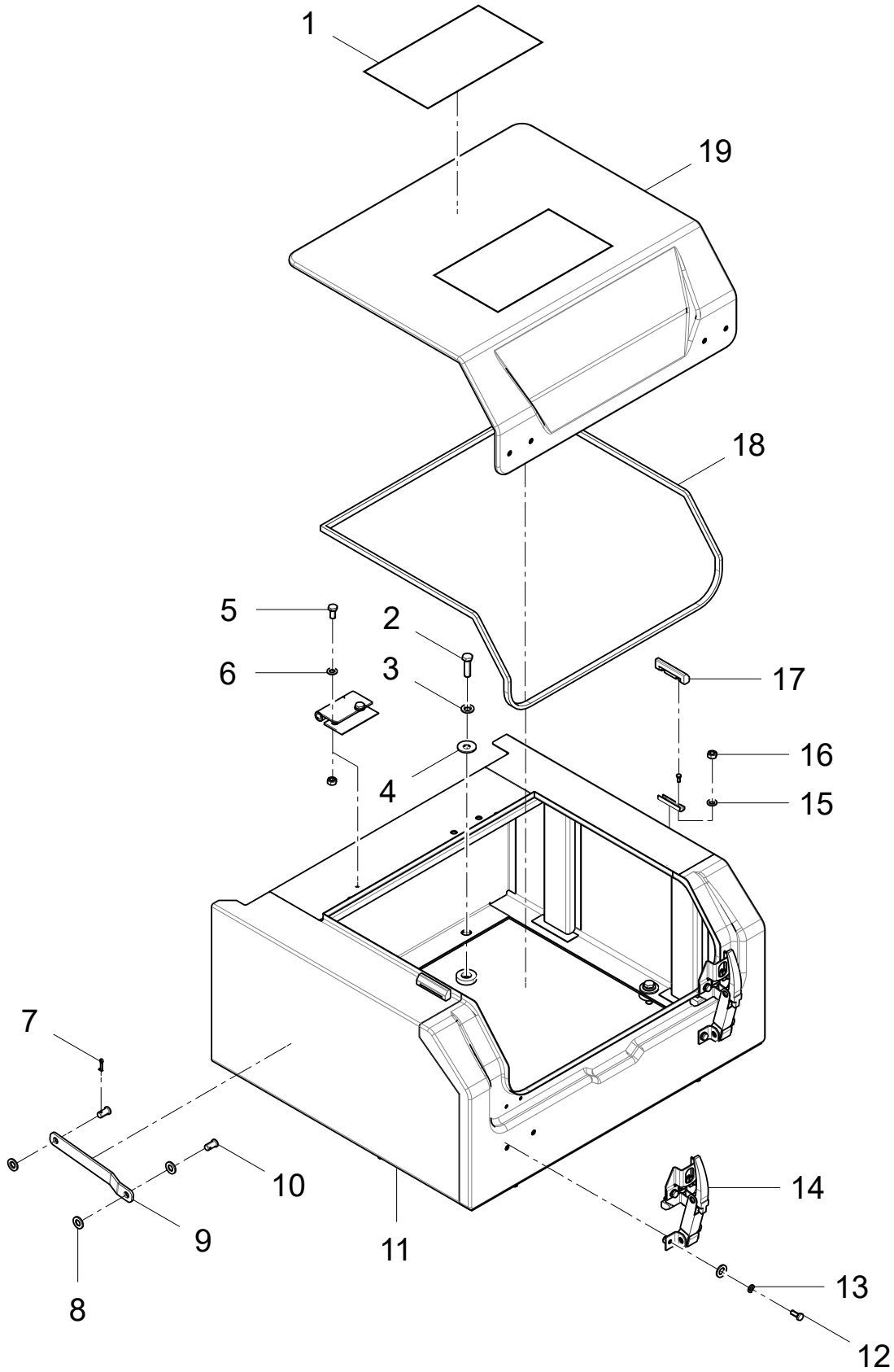
(30616007847)
ARM ASSEMBLY



**(30616007847)
ARM ASSEMBLY**

NO.	S.C	PART NAME	PART NAME	CODE	QTY	NOTE
1	30616011934		ARM WELDMENT	CDM6225E. 16. 01A	1	
1	30616007848		ARM WELDMENT	CDM6225E. 16. 01	1	
2	30615100618		ADJUSTING WASHER	LG6230. 15-05	2	
3	30615100174	Φ82×12	PIN WASHER Φ82×12	CDM6210. 05-09	1	
4	30615007062		ARM CYLINDER PIN ASSEMBLY	LG6205. 15. 02	1	
5	30616100318		PLUG	LG6360. 16-05	2	
6	30615100173	D22×5.5	DAMPING RING D22×5.5	CDM6210. 05-08	2	
7	60900009928	20	WASHER 20	Q/LG12003	2	
8	51204153822	M20×30	BOLT M20×30	GB/T5783	2	
9	60900008308		GREASE CUP	PT1/8 180°	3	
10	30615106563		BUSH	CDM6210. 05-07A	2	
11	60980000065	90×105×6	DUST RING 90×105×6	VAW	2	
12	30616100119	Φ72×14	WASHER Φ72×14	CDM6210. 06-03	1	
13	30615000045		BUCKET CYLINDER PIN	CDM6210. 06. 03	1	
14	30616118293	Φ80×Φ95×92	STEEL BUSHING Φ80×Φ95×92	CDM6225E. 16-01	2	
14	30616100113	Φ80×Φ95×110	STEEL BUSHING Φ80×Φ95×110	CDM6210. 06-02	2	
15	60980000064	80×95×6	DUST RING 80×95×6	VAW	2	
16	30616011935		LINK SPAN ASSEMBLY	CDM6225E. 16. 02	1	
16	30616007072		LINK SPAN ASSEMBLY	LG6205. 16. 02	1	
17	30616100121	Φ70×Φ85×70	STEEL BUSHING Φ70×Φ85×70	CDM6210. 06-01	2	
18	60980000063	70×85×6	DUST RING 70×85×6	VAW	2	
19	30615100416	3	ADJUSTING WASHER 3	LG6150. 15-09	4	

(30625012894)
TOOLBOX ASSEMBLY

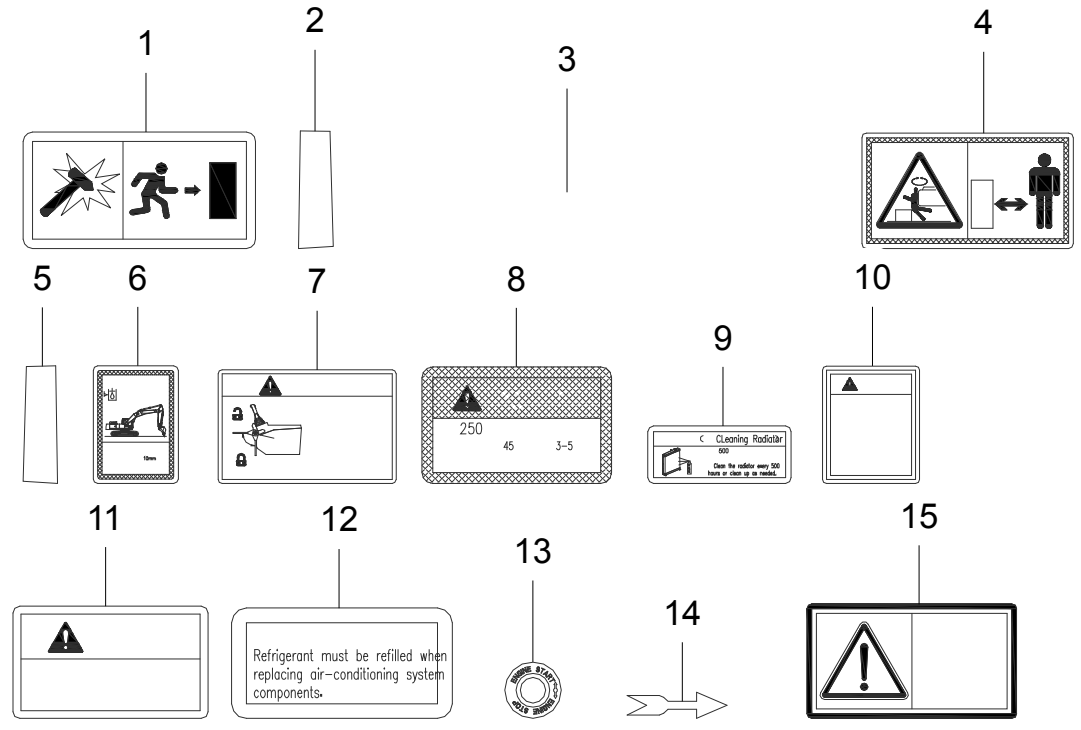
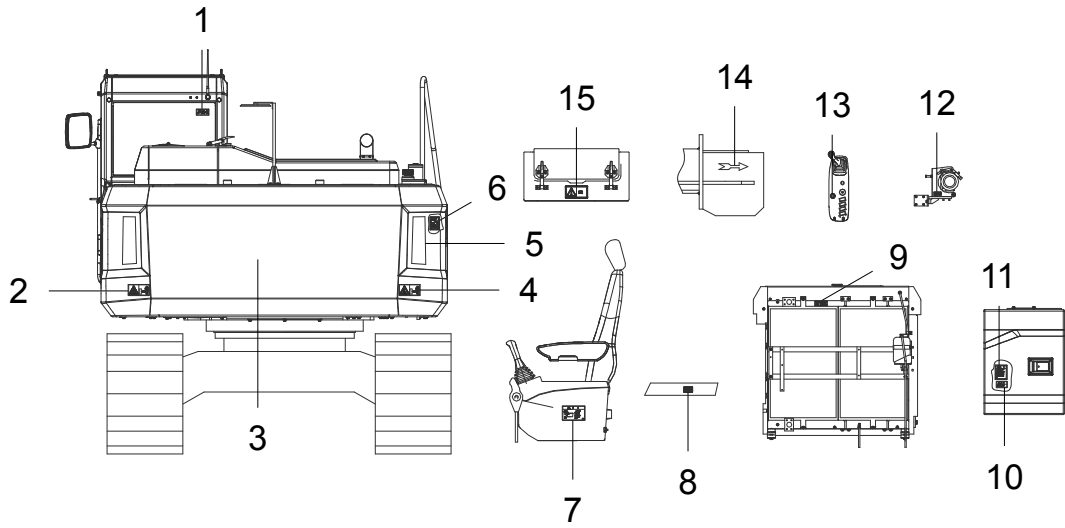


(30625012894)
TOOLBOX ASSEMBLY

NO.	S.C	PART NAME	PART NAME	CODE	QTY	NOTE
1	30625100078		ANTISKID MAT	LG6230. 25-02	2	
2	51204111422	M12×40	BOLT M12×40	GB/T5783	6	
3	60900009832	12	WASHER 12	Q/LG12003	9	
4	51420110122	12	WASHER 12	GB/T96. 1	6	
5	51204101022	M10×20	BOLT M10×20	GB/T5783	4	
6	60900009924	10	WASHER 10	Q/LG12003	4	
7	51512091301	4×28	PIN 4×28	GB/T91	2	
8	51420090122	8	WASHER 8	GB/T96. 1	4	
9	30625007571		JACKSTAY WELDMENT	LG6485E6. 25. 06	1	
10	51511071002	12×22	PIN 12×22	GB/T882	2	
11	30625012895		TOOLBOX BODY WELDMENT	LG6205E3. 25. 02	1	
12	51204091022	M8×20	BOLT M8×20	GB/T5783	8	
13	60900009923	8	WASHER 8	Q/LG12003	8	
14	60701010032		ENGINE HOOD LOCK	NBS415	2	
15	51421070121	5	WASHER 5	GB/T97. 1	8	
16	51341000319	M5	NUT M5	GB/T889. 1	8	
17	30625007568		CUSHION BLOCK	LG6485E6. 25. 04	6	
18	60900013018	L2500	RUBBER STRIP L2500	WD016	1	
19	30625012896		TOOLBOX COVER WELDMENT	LG6205E3. 25. 01	1	

(30622013637)
MARKING SYSTEM 4

04 NAMEPLATE RECOGNITION IV

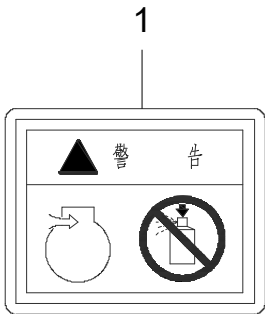
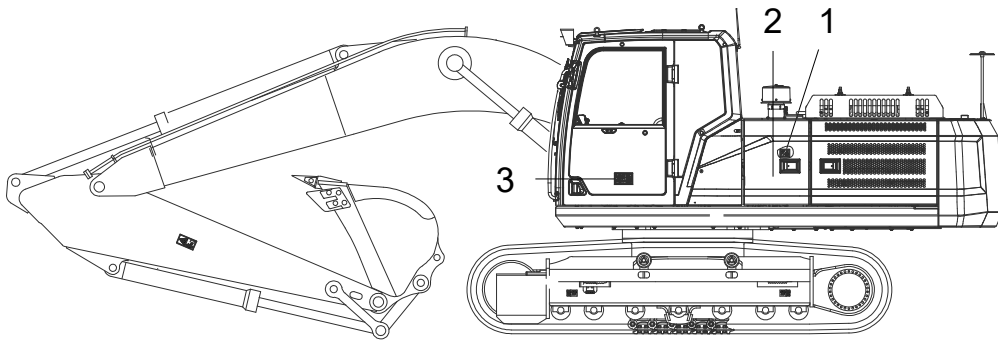


**(30622013637)
MARKING SYSTEM 4**

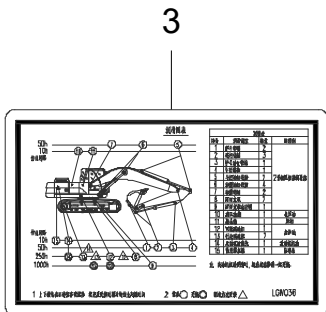
NO.	S.C	PART NAME	PART NAME	CODE	QTY	NOTE
1	30622100233		ESCAPE MARK	LG6230. 22A-22	1	
2	30622121247		LEFT REFLECTOR	LG6205E3. 22-01A	1	
3	30622118287		COUNTERWEIGHT LOGO	LG6485E6. 22-09	1	
4	30622100229		DANGER MARK	LG6230. 22A-19	2	
5	30622121248		RIGHT REFLECTOR	LG6205E3. 22-03A	1	
6	30622100235		CAUTION MARK	LG6230. 22A-24	1	
7	30622100237		WARNING MARK	LG6230. 22A-26	1	
8	30622105201		GREASE FILLING MARK	LG6230. 22A-42A	1	
9	30622119639		RADIATOR MAINTENANCE LABEL	CDM6060. 22-07	1	
10	30622119573		CAUTION MARK	LG6150E. 22C-07	1	
11	30622100253		WARNING MARK	LG6230. 22A-40	1	
12	30622119640		COMPRESSOR MAINTENANCE LABEL	CDM6060. 22-08	1	
13	30622107062		ENGINE STOP SIGN	LG6075E. 22-80	1	
14	30622105133		GUIDANCE SIGN	CDM6150E. 22-08	2	
15	30622100254		WARNING MARK	LG6230. 22A-07	1	

(30622013637)
MARKING SYSTEM 3

03 NAMEPLATE RECOGNITION III

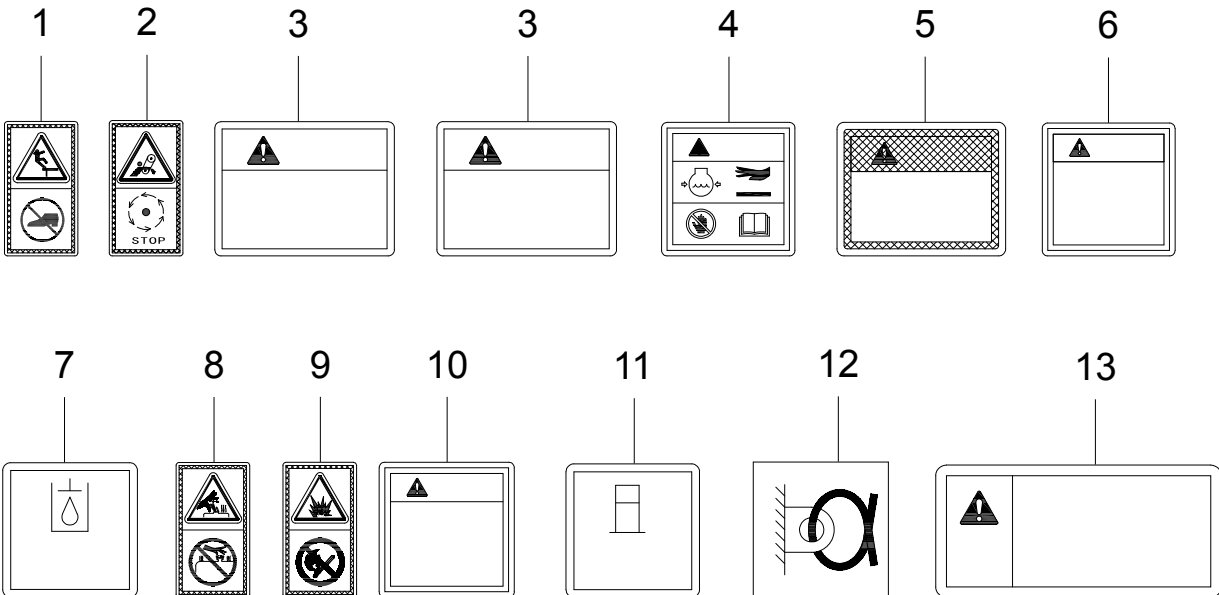
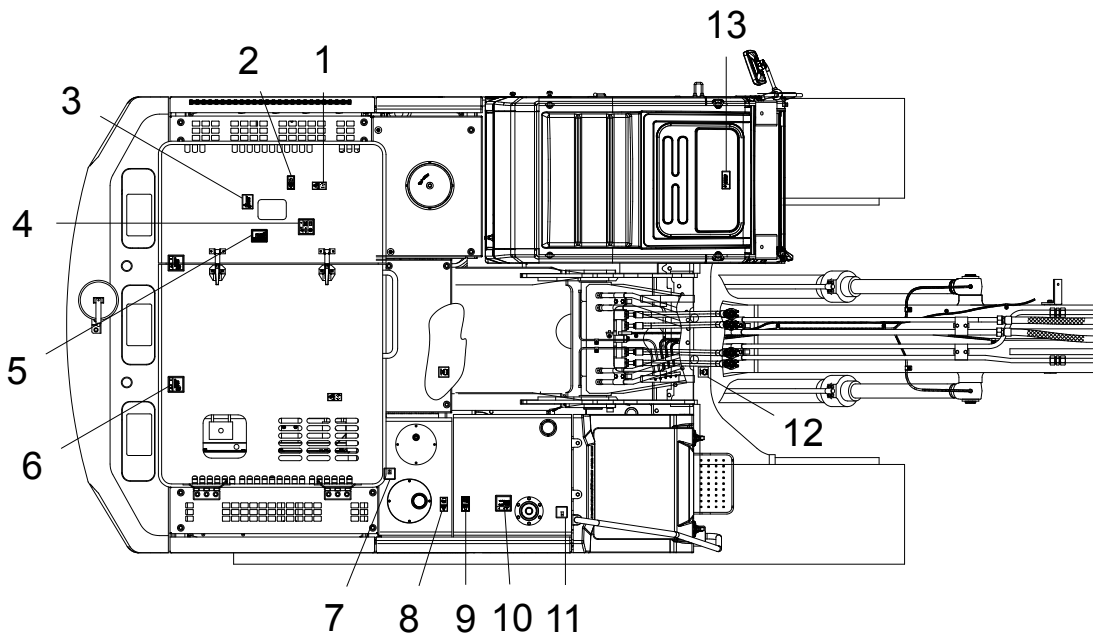


2

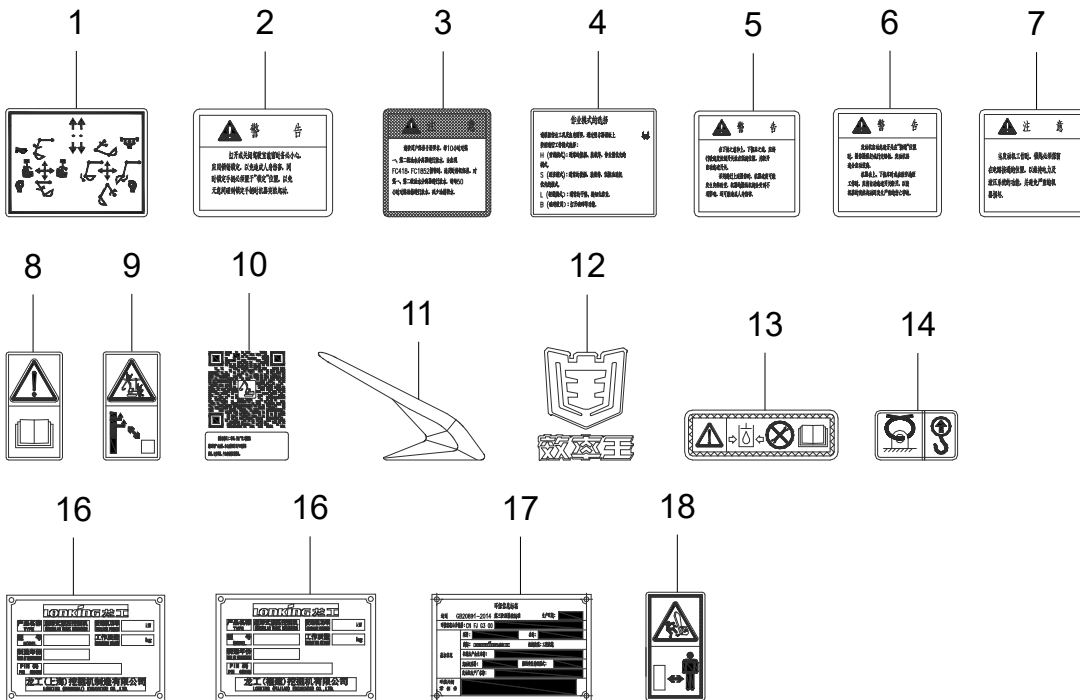
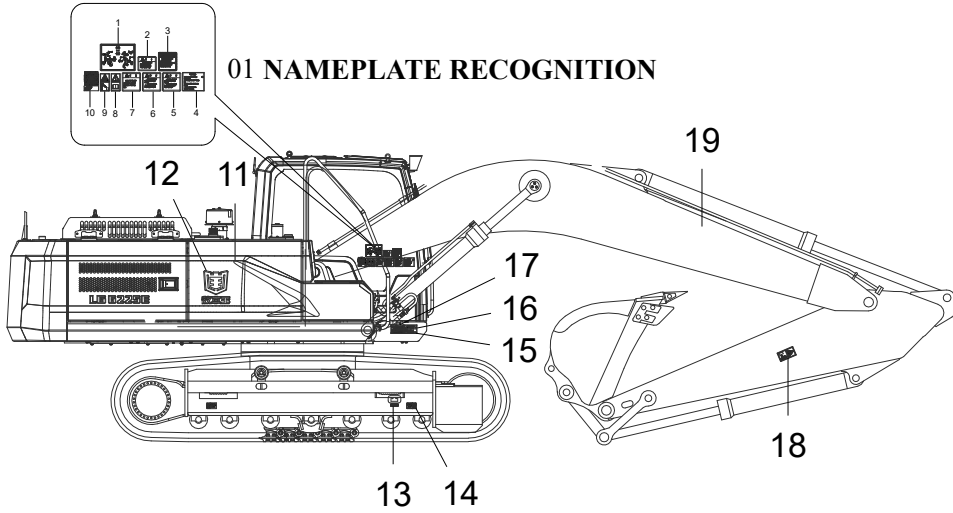


(30622013637)
MARKING SYSTEM 2

02 NAMEPLATE RECOGNITION



(30622013637) MARKING SYSTEM 1

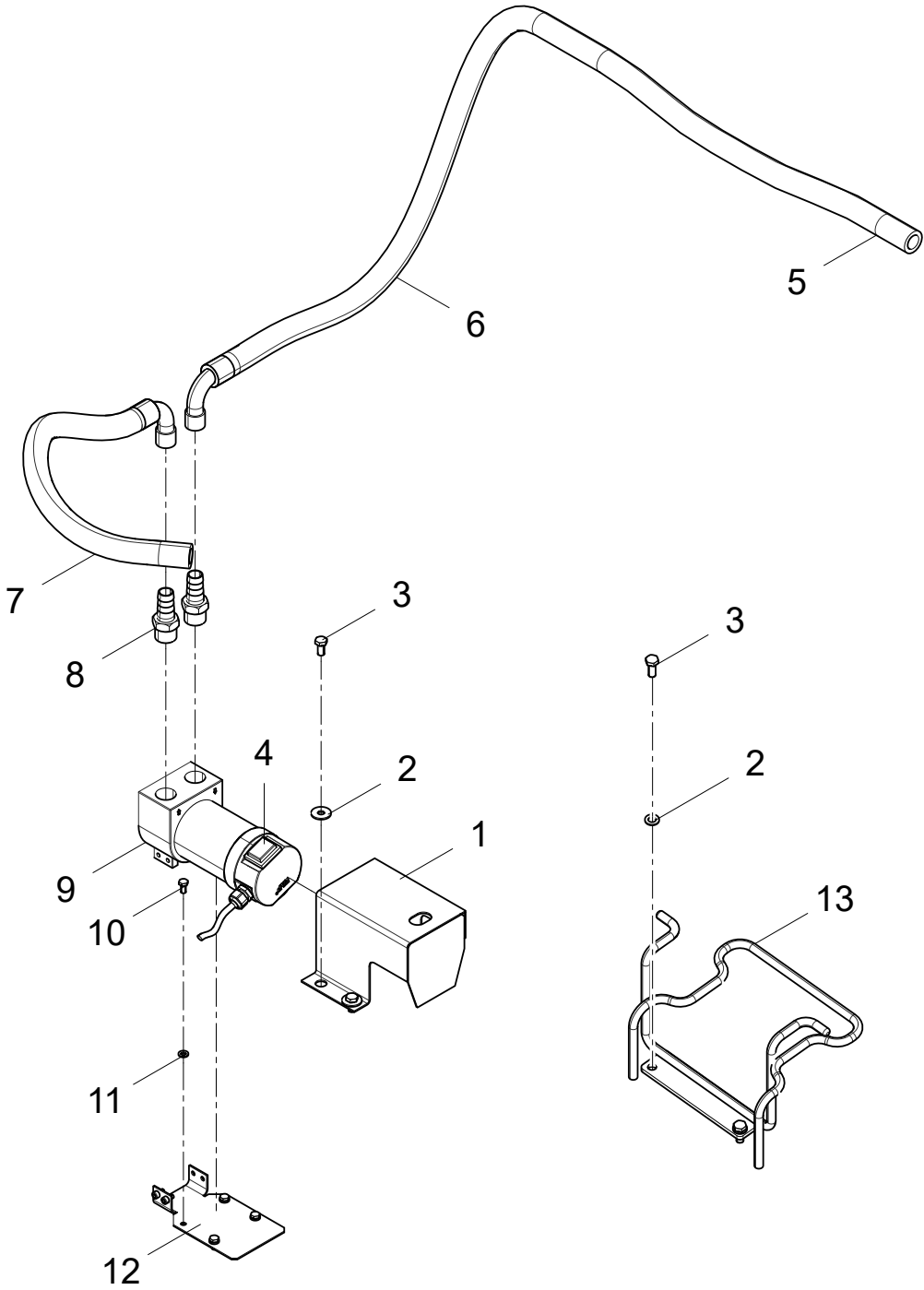


19

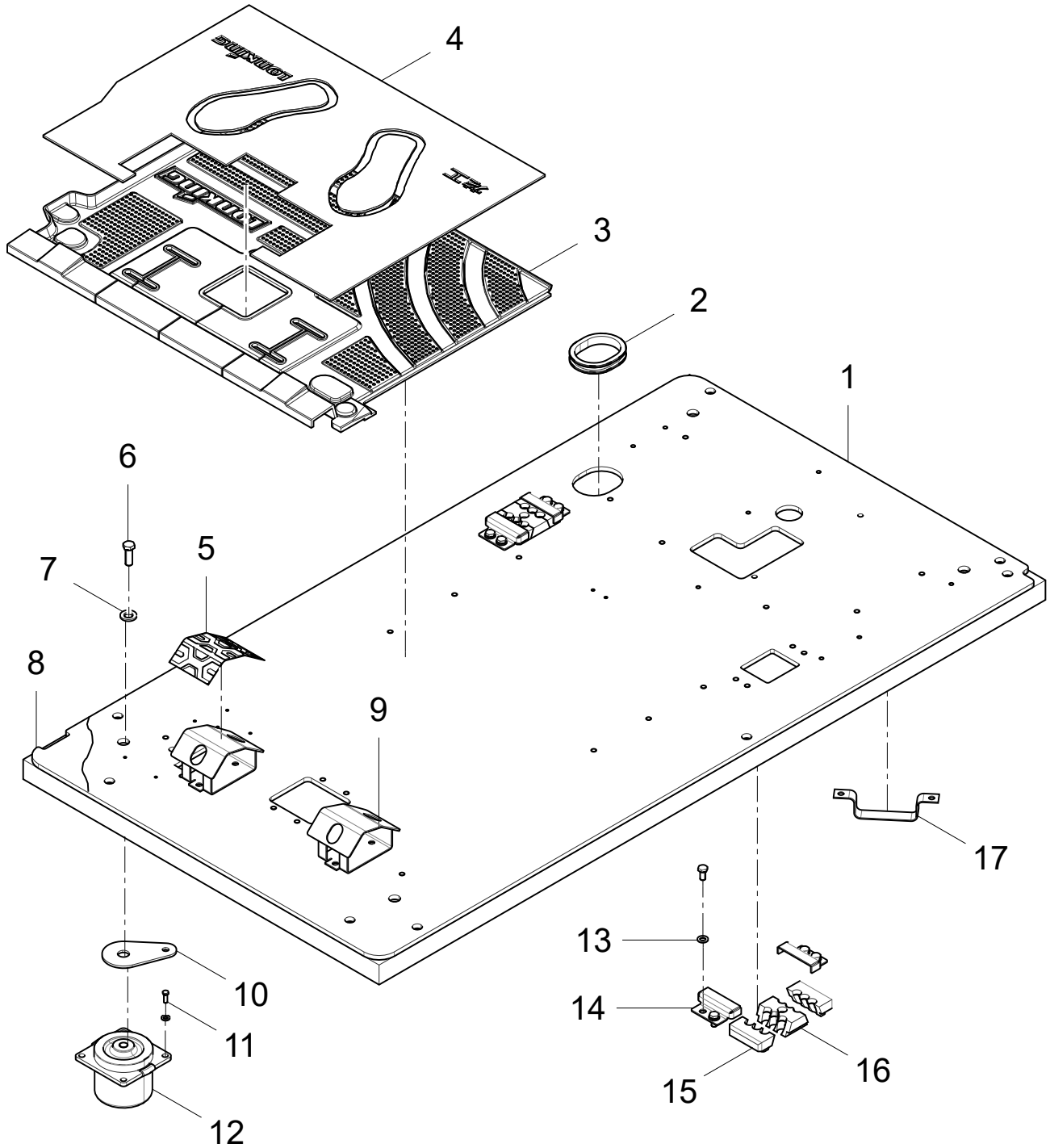
(30622013637) MARKING SYSTEM 1

NO.	S.C	PART NAME	PART NAME	CODE	QTY	NOTE
1	30622100224		OPERATION CHART	LG6230. 22A-14	1	
2	30622100262		WARNING MARK	LG6230. 22A-10	1	
3	30622108183		CAUTION MARK	LG6225S. 22-01	1	
4	30622100225		MODE SELECTION	LG6230. 22A-15	1	
5	30622100263		WARNING MARK	LG6230. 22A-11	1	
6	30622100264		WARNING MARK	LG6230. 22A-12	1	
7	30622100223		CAUTION MARK	LG6230. 22A-13	1	
8	30622100261		WARNING MARK	LG6230. 22A-09	1	
9	30622100260		WARNING MARK	LG6230. 22A-08	1	
10	30622105200		SERVICE QR CODE	LG6150E. 22B-10	1	
11	30622120333		RIGHT LOGO	LG6205E3. 22-04	1	
12	30622120332		EFFICIENCY MARK	LG6205E3. 22-06	1	
13	30622100240		WARNING MARK	LG6230. 22A-29	2	
14	30622120331		TRACTION MARK	LG6230. 22B-01	4	
15	51569000101	4×12	SELF-PLUGGING RIVET 4×12	GB/T12618. 1	8	
16	30622105199		NAMEPLATE	CDM6235. 22-24A	1	
16	30622100407		NAMEPLATE	CDM6235. 22-24	1	
17	30622105196		ECO-LABEL	LG6150E. 22B-09	1	
18	30622100228		DANGER MARK	LG6230. 22A-18	2	
19	30622100227		BOOM LOGO	LG6230. 22A-17	2	

(30628014687)
FILLING PUMP ASSEMBLY



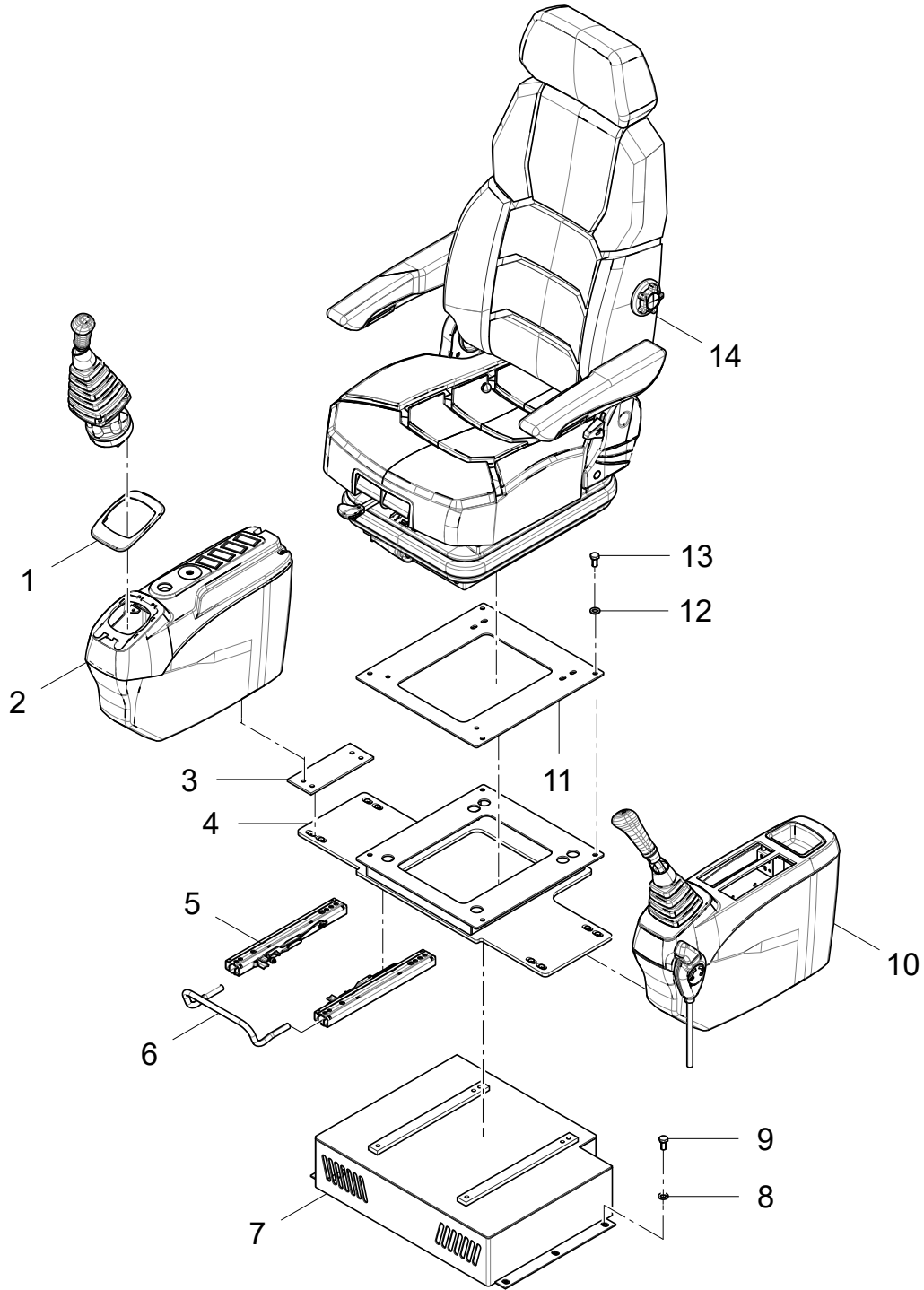
(30621013418)
SEAT MOUNTING ASSEMBLY 2



(30621013418)
SEAT MOUNTING ASSEMBLY 2

NO.	S.C	PART NAME	PART NAME	CODE	QTY	NOTE
1	30621013419		BASEPLATE	CDM6225S. 21. 01	1	
2	30621105015		RUBBER RING	LG6230. 21A-11	1	
3	30621105048		FLOOR MAT	LG6230. 21A-07A	1	
4	30621100159		PAPER PAD	LG6230. 21A-09	3	
5	60919010105		RUBBER PAD, FOOT PEDAL	100112	2	
6	51204133718	M16×40	BOLT M16×40	GB/T5783	4	
7	30614117927	16	THICKENING WASHER 16	LG6240F. 14-07	4	
8	30621120518		SEAL WASHER	CDM6225S. 21-04	1	
9	30621000043		FOOT PEDAL PLATE	LG6230. 21A. 05	2	
10	30621108965		MOUNTING PLATE	CDM6060. 21-03	4	
11	51204101318	M10×35	BOLT M10×35	GB/T5783	16	
12	60922010013		SHOCK ABSORBER	Y20-26-1160	4	
13	60900009924	10	WASHER 10	Q/LG12003	8	
14	30621120461		PRESSING PLATE	CDM6225S. 21-03	4	
15	30621120459	1	PIPE CLAMP	CDM6225S. 21-01	4	
16	30621120460	2	PIPE CLAMP	CDM6225S. 21-02	2	
17	30621100160		TUBING HOLDER	LG6230. 21A-10	2	

(30621013418)
SEAT MOUNTING ASSEMBLY 1



(30621013418)
SEAT MOUNTING ASSEMBLY 1

NO.	S.C	PART NAME	PART NAME	CODE	QTY	NOTE
1	60304000564		PILOT VALVE COVER PLATE(BIG HOLE)	SD011	2	
2	60921010011		RIGHT ARMREST BOX	SD08009-D36	1	
3	30621100152		HEEL PLATE	LG6230. 21A-02	2	
4	30621009094		SLIDE SEAT WELDMENT	CDM6225G. 21. 03	1	
5	60980005444		SLIDE RAIL UNIT	SC27-LG-SR	1	
6	60200008659		SLIDEWAY ROD	SC27-143-S-01	1	
7	30621009093		SEAT BASE WELDMENT	CDM6225G. 21. 02	1	
8	30614117923	10	THICKENING WASHER 10 (SMALL)	LG6240F. 14-03	46	
9	51204101018	M10×20	BOLT M10×20	GB/T5783	38	
10	60921010013		LEFT ARMREST BOX	SD08007	1	
11	30621113577		SEAT MOUNTING PLATE	CDM6225G. 21-01	1	
12	30614117921	8	THICKENING WASHER 8 (SMALL)	LG6240F. 14-01	16	
13	51139210306	M8×16	SCREW M8×16	GB/T70. 1	22	
14	60900008108		SEAT	SC27-143-S	1	